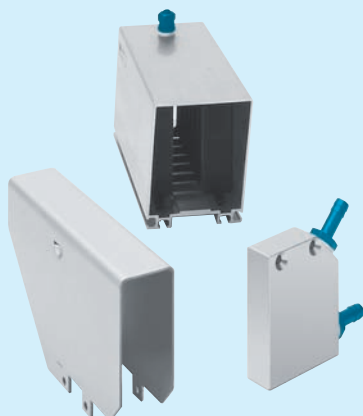


Special accessories

Selection table, special accessories

For equipment	Description	Type	Order no.	Page
Masks				
WS/WE 9-2	Mask card, 0.5/1.0/1.5/2.0 mm wide, self-adhesive	BL-9-2	4 033 253	1501
WS/WE 12-2	Mask card, 0.5/1.0/1.5/2.0 mm wide, self-adhesive	BL 12-SKN	4 031 815	1501
WS/WE 150	Slotted masks, each 2 x 0.5 mm/1.0 mm/2.0 mm wide	BL-150-10	5 306 216	1502
WS/WE 160	Slotted masks, 1.0 mm wide	BL-160-10	5 305 196	1502
WS/WE 170	Slotted masks, 1.0 mm wide	BL-170-10	5 305 687	1502
WS/WE 260	Slotted masks, each 2 x 1.0 mm/2.0 mm/5.0 mm wide	BL-260-SK	5 308 773	1502
Polarisation filter				
WS/WE 170	Front lenses with polarising filter 2 x X- and 2 x Y-polarisation filters	BL-170-POLF	5 305 688	1502
Objektive				
KT 5-2	Lens, scanning distance = 10 mm	OBJ-212	1 011 506	1503
KT 5-2	Lens, scanning distance = 18 mm	OBJ-213	2 009 266	1503
KT 5-2	Lens, scanning distance = 20 mm	OBJ-211	1 004 936	1503
KT 5-2	Lens, scanning distance = 40 mm	OBJ-210	2 010 945	1503
LUT 3	Lens, scanning distance = 10 mm	OBJ-LUT 3-10	2 016 348	1503
LUT 3	Lens, scanning distance = 20 mm	OBJ-LUT 3-20	2 016 349	1503
LUT 3	Lens, scanning distance = 50 mm	OBJ-LUT 3-50	2 016 350	1503
LUT 3	Adapter ring for lenses with thread M 20 x 0.75	AD-OBJ-01	2 017 097	1503
Corner mirror				
DME	Corner mirror	USP-DME	2 016 330	1504



Selection table, special accessories

For equipment	Description	Type	Order no.	Page
Equipment protection, cooling and heating devices				
W 23, W 23-2, W 24-2, W 24 Exi, W 27-3, W 34, W 260	Weather-protection hood	OBW-KHS-M01	2 023 240	1504
	Mounting bracket for weather-protection hood	BEF-WN-OBW	2 023 251	1504
W 24-2, W 24 Exi, WTA 24	Dust protection tube, air-purged	OBS-W 24	2 015 069	1504
W 24-2, W 34, DS 60	Weather-protecting hood (bar attachment)	WSG1-01	1 018 470	1505
W 45	Dust protection tube, 150 mm	OBS-W 45	2 011 432	1504
W 45	Air protection hood, 100 mm	OBW-W 45	2 011 431	1505
DME	Dust protection tube	OBS-DME	2 014 458	1505
PL 50 A	Front flange for dust protection tube and front air-purged	FLV-PL50	1 000 130	1505
PL 50 A	Front air-purged (front flange needed)	SLV-PL50	1 000 309	1505
PL 50 A	Dust protection tube, 90 mm long (front flange needed)	SST DO 80-090	1 000 252	1505
PL 50 A	Dust protection tube, 184 mm long (front flange needed)	SST DO 80-184	1 000 134	1505
PL 50 A	Dust protection tube, 314 mm long (front flange needed)	SST DO 80-314	1 000 133	1505
W 24-2, WTA 24	Cooling plate for water cooling, 2 units recommended per piece of equipment	BEF-KP-W 24	2 015 071	1506
W 45	Cooling plate for water cooling	BEF-KP-W 45	2 011 435	1506
DME	Cooling plate assembly kit for water cooling (complete)	BEF-KPM-DME	2 014 457	1506
DME	Peltier cooling unit with lid	BEF-KE-DME	2 019 912	1507
DME	Heating unit with lid	BEF-HE-DME	2 021 269	1507
Alignment assistance				
DME	Targeting telescope	OBZ-DME	2 014 194	1507
DME	Adjustment device for targeting telescope	OBZ-DME-J	2 014 191	1507

Dimensional drawings and order information

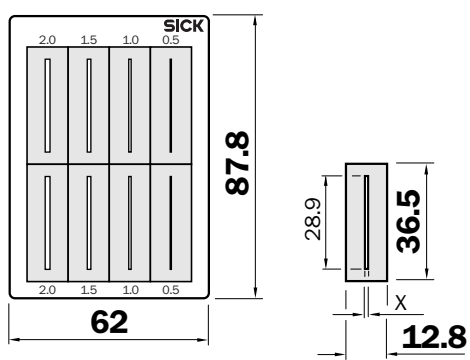
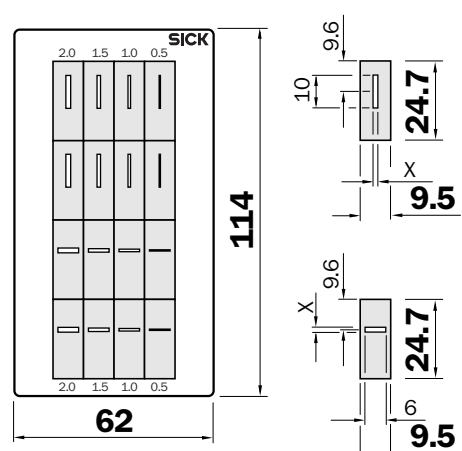
Masks

Slotted masks for WS/WE 9-2
with 2 self-adhesive masks each for sender (WS) and receiver (WE)
Slot width X: 0.5 mm/1.0 mm/1.5 mm/2.0 mm

Type	Order no.
BL-9-2	4 033 253

Slotted masks for WS/WE 12-2
with 2 self-adhesive masks each for sender (WS) and receiver (WE)
Slot width X: 0.5 mm/1.0 mm/1.5 mm/2.0 mm

Type	Order no.
BL 12-SKN	4 031 815



Dimensional drawings and order information

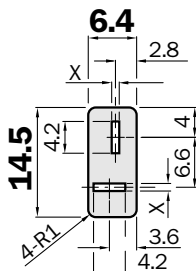
Masks/polarisation filter

Slotted masks* for WS/WE 150

Slot width X: 0.5 mm/1.0 mm/2.0 mm

Type	Order no.
BL-150-10	5 306 216

*2 units respectively

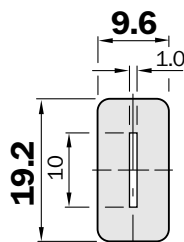


Slotted masks* for WS/WE 160

Slot width: 1.0 mm

Type	Order no.
BL-160-10	5 305 196

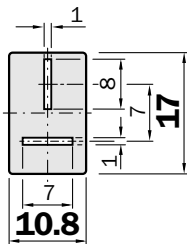
*2 units respectively



Slotted masks* for WS/WE 170

Type	Order no.	Slot width
BL-170-10	5 305 687	1.0 mm

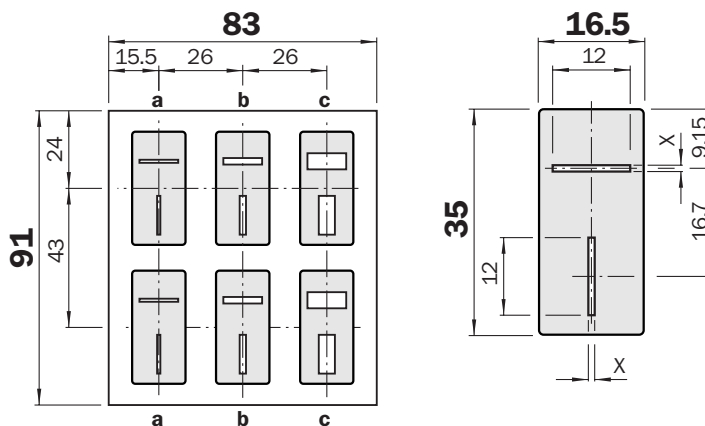
*2 units respectively



Slotted masks* for WS/WE 260 (only for DC version)

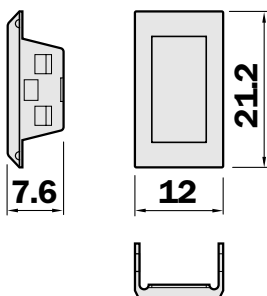
Type	Order no.	Slot width X	Range
BL-260-SK	5 308 773	1,0 mm	1,5 m
		2,0 mm	3 m
		5,0 mm	6 m

*2 units respectively



Front polarisation filter for WS/WE 170

Type	Order no.	Design
BL-170-POLF	5 305 688	2 x X and Y polarisation

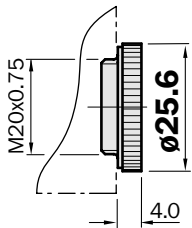


Dimensional drawings and order information

Lenses (SD = Scanning distance, SR = Scanning range)

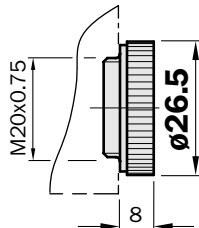
Lens, SD = 20 mm, for KT 5-2

Type	Order no.
OBJ-212	1 011 506



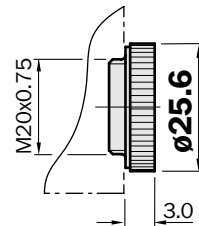
Objektiv, TW = 18 mm, für KT 5-2

Type	Order no.
OBJ-213	2 009 266



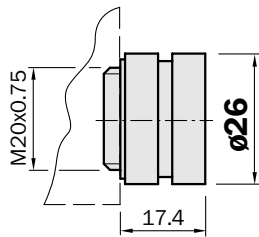
Objektiv, TW = 10 mm, für KT 5-2

Type	Order no.
OBJ-211	1 004 936



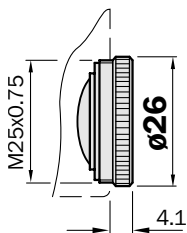
Lens, SD = 40 mm, for KT 5G-2

Type	Order no.
OBJ-210	2 010 945



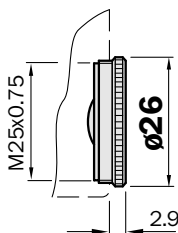
Lens, SD = 10/20 mm, for LUT 3

Type	Order no.	SD
OBJ-LUT 3-10	2 016 348	10 mm
OBJ-LUT 3-20	2 016 349	20 mm



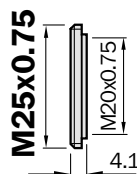
Lens SD = 50 mm, for LUT 3

Type	Order no.
OBJ-LUT 3-50	2 016 350



Adapter ring for lenses with M20 thread, for LUT 3

Type	Order no.
AD-OBJ-01	2 017 097

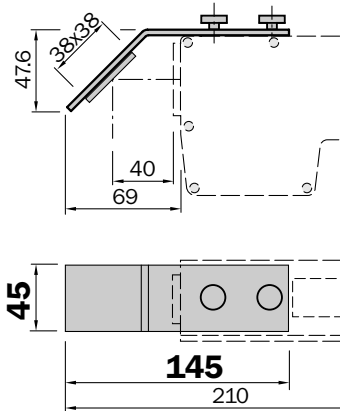


Dimensional drawings and order information

Corner mirror

Corner mirror for DME

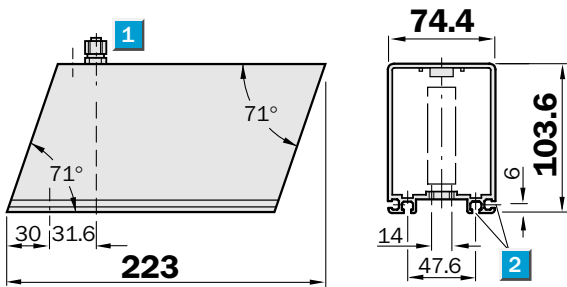
Type	Order no.
USP-DME	2 016 330



Dust and weather protection devices

Dust protection tube, air-purged, for W 24-2, W 24 Exi, WTA 24

Type	Order no.
OBS-W 24	2 015 069



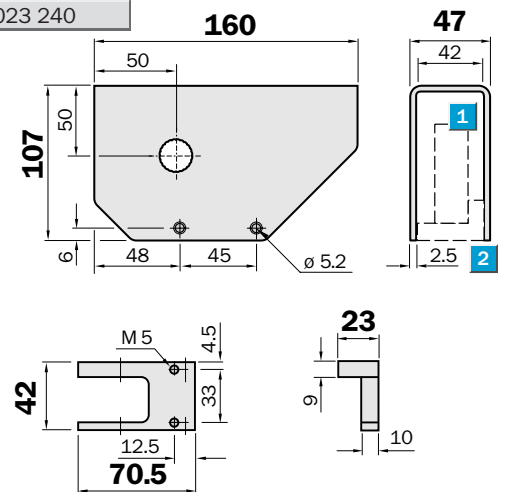
- 1 Fast action screw fitting for hose internal diameter 6 mm
- 2 Running nut channel for M5 nut

Weather-protection hood for W 23, W 24-2, W 24 Exi, W27-3, W 34, W 260*)

Type	Order no.
OBW-KHS-M01	2 023 240

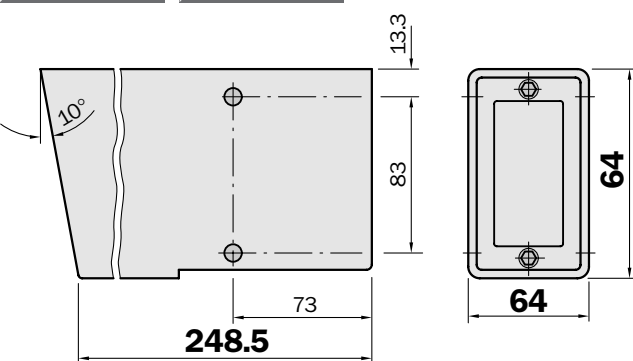
- 1 Sensor
- 2 Base plate with clamp supplied with unit

*) Also available in a rod mounting version with separate clip BEF-KHS-KH1 (Order no. 2 022 726)



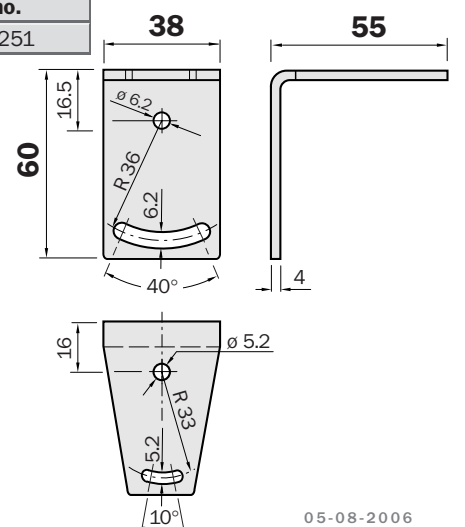
Dust protection tube for W 45

Type	Order no.
OBS-W 45	2 011 432



Befestigungswinkel für Wetterschutzhaube OBW-KHS-M01

Type	Order no.
BEF-WN-OBW	2 023 251

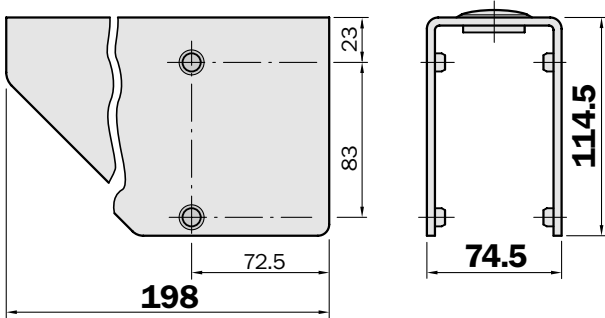


Dimensional drawings and order information

Dust and weather protection devices

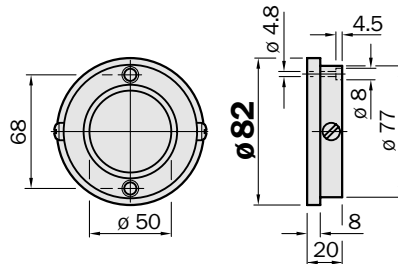
Air protection hood for W 45

Type	Order no.
OBW-W 45	2 011 431



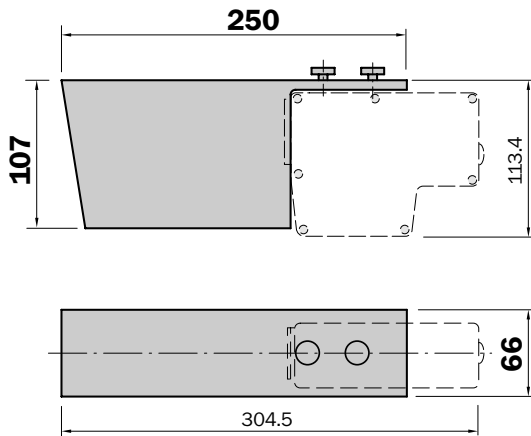
Front flange for dust protection tube, weather protection and air-purging unit for PL 50 A

Type	Order no.
FLV-PL 50	1 000 130



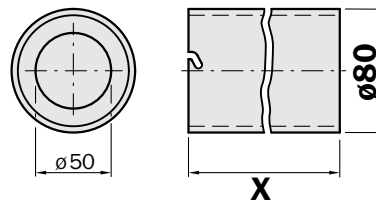
Dust protection tube for DME

Type	Order no.
OBS-DME	2 014 458



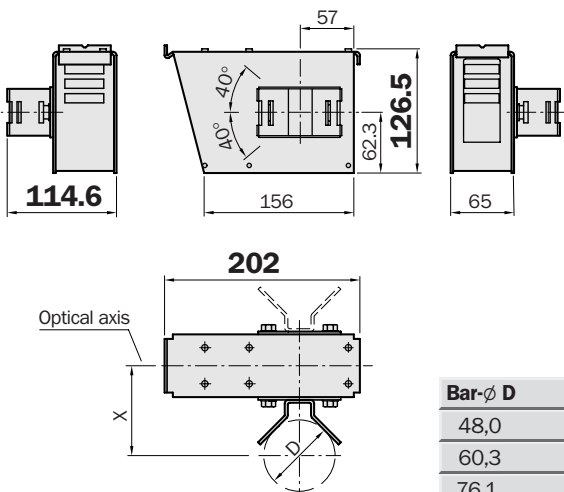
Dust protection tube for PL 50 A (with front flange 1 000 130), PL 53 A, SW 50

Type	Order no.	Länge X
SST DO 80-090	1 000 252	90 mm
SST DO 80-184	1 000 134	184 mm
SST DO 80-314	1 000 133	314 mm



Weather-protecting hood for W 24-2, W 34, DS 60

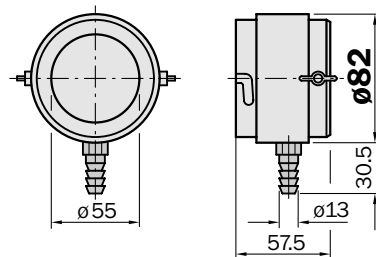
Type	Order no.*
WSG1-01	1 018 470



Bar- ϕ D	Distance X
48,0	74,2
60,3	82,9
76,1	94,1
88,9	103,1
108,0	116,6

Front, air-purged, for PL 50 A (only with front flange 1 000 130), PL 53 A, SW 50

Type	Order no.
SLV-PL 50	1 000 309



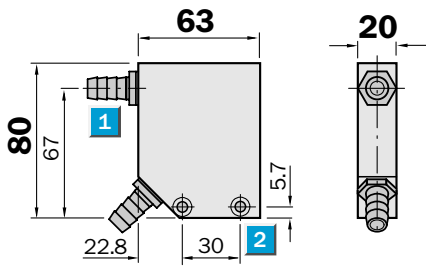
* Mounting materials included

Dimensional drawings and order information

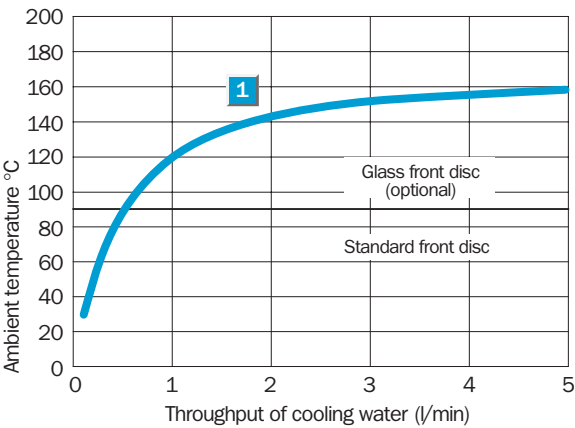
Equipment cooling devices

Cooling plate for water cooling for W 24-2, WTA 24
(only with front flange 1 000 130)

Type	Order no.
BEF-KP-W 24	2 015 071



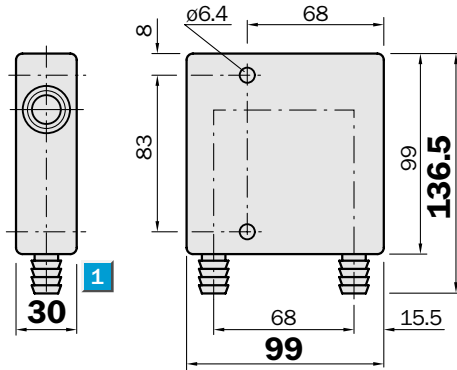
- 1 Hose nozzle R 1/4"
- 2 Tapped hole for countersunk screw M5



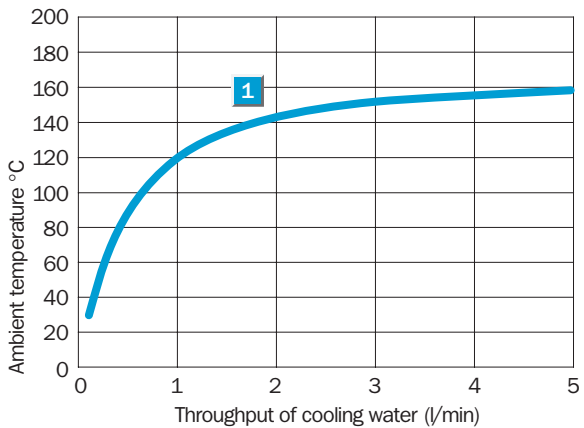
- 1 Temperature of cooling water 20 °C, water pressure max. 5 bar

Cooling plate for water cooling for W 45

Type	Order no.	
BEF-KP-W 45	2 011 435*	* including fixing screws



- 1 Hose nozzle R 1/2"

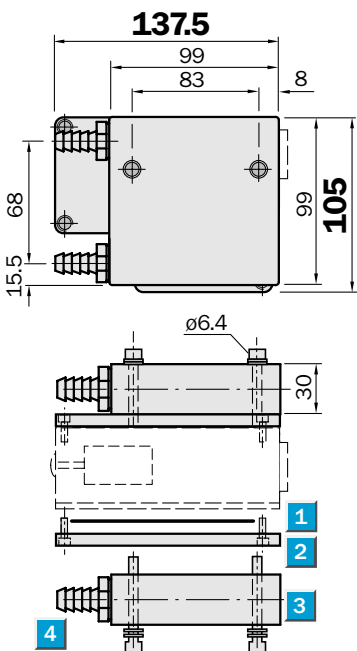


- 1 Temperature of cooling water 20 °C, water pressure max. 5 bar

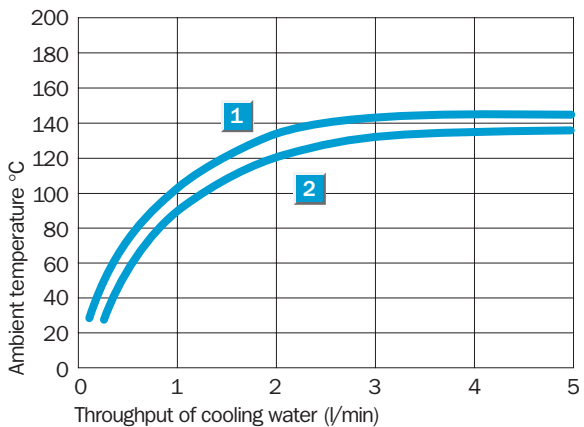
Cooling plate assembly kit (complete*), for water cooling on both sides, for DME

Type	Order no.
BEF-KPM-DME	2 014 457

* including heat conducting paste and fixing screws



- 1 Heat conducting cloth (2 x)
- 2 Adapter plate (2 x)
- 3 Cooling plate (2 x)
- 4 Hose nozzle R 1/2"



- 1 Temperature of cooling water 20 °C
- 2 Temperature of cooling water 30 °C

Dimensional drawings and order information

Equipment cooling and heating devices/alignment aid/alignment bracket

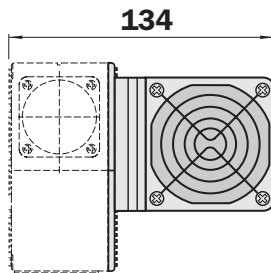
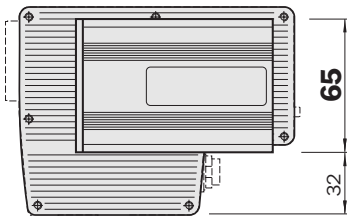
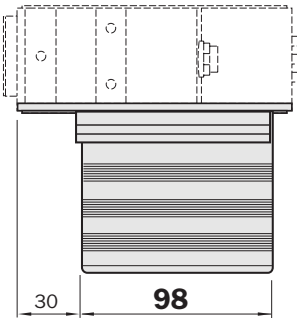
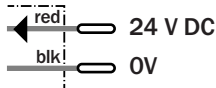
Peltier cooling unit with lid for DME

Type	Order no.
BEF-KE-DME	2 019 912

Technical data

Supply voltage	24 V DC
Current rating	2 A
Ambient temperature	Operation: + 55 °C
Connection type	Porcelain insulator

Connection diagram



Alignment aid for DME

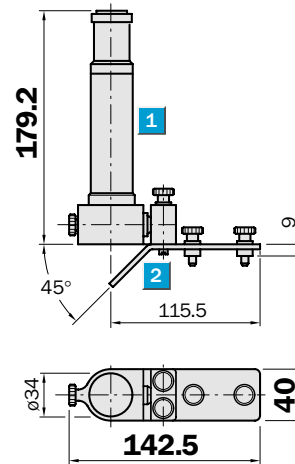
Consisting of:

1 Target telescope

Type	Order no.
OBZ-DME	2 014 194

2 Adjustment device for DME

Type	Order no.
OBZ-DME-J	2 014 191



Heating element for DME

Type	Order no.
BEF-HE-DME	2 021 269

Technical data

Supply voltage	24 V DC ± 20 %
Current rating	< 400 mA
Ambient temperature	Operation: - 28...+ 40 °C
Connection type	M12 plug

Connection diagram

