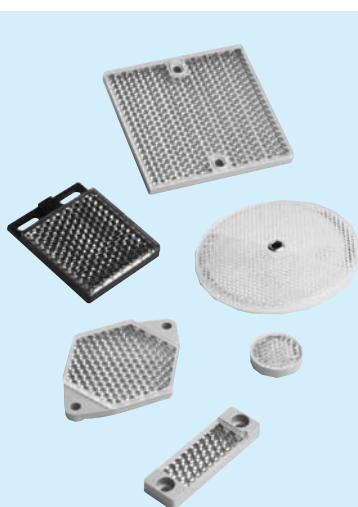


Reflectors

Selection table, reflectors

Description	Type	Order no.	Page
Plastic reflectors for temperatures up to 65 °C			
Reflector, \varnothing 22 mm, plug-in	PL 22-1	1 003 546	1453
Reflector, \varnothing 22 mm, self-adhesive	PL 22-2	1 003 621	1453
Reflector, \varnothing 22 mm, plug-in, for sheet metal	PL 22-3	1 004 488	1453
Reflector, \varnothing 25.2 mm, mounting bolt M4	P 25	5 315 172	1453
Reflector, \varnothing 34.5 mm, plane	P 34	5 313 922	1453
Reflector, \varnothing 84 mm, centre hole mounting	C 110 A	5 304 549	1453
Reflector 32.8 x 8.4 mm ²	P 45	5 308 002	1454
Reflector 20 x 40 mm ²	PL 20 A	1 012 719	1454
Reflector 20 x 40 mm ² , self-adhesive	PL 21 A	1 015 172	1454
Reflector 30 x 50 mm ²	PL 30 A	1 002 314	1454
Reflector 30 x 50 mm ² , self-adhesive	PL 31 A	1 002 315	1454
Reflector 40 x 60 mm ²	PL 40 A	1 012 720	1454
Reflector, 6-sided, width across flats 48 mm	PL 50 A	1 000 132	1454
Reflector, 6-sided, width across flats 48 mm, self-adhesive	PL 51 A	1 001 628	1454
Reflector 47 x 47 mm ²	P 250	5 304 812	1454
Reflector 34 x 35 mm ²	P 42	5 314 825	1455
Reflector 32 x 48 mm ²	P 32	5 314 001	1455
Reflector 28 x 29 mm ²	P 40	5 313 923	1455
Reflector 70 x 51 mm ² , with mounting bolt M6	PL 72	5 304 145	1455
Reflector 80 x 80 mm ²	PL 80 A	1 003 865	1455
Reflector 40 x 180 mm ²	PL 180 E01	1 013 289	1455
Reflector 18 x 150 mm ² , self-adhesive	PL 150	5 315 548	1455
Reflector 20 x 20 mm ² , micro triple	PL 10 F	5 311 210	1456
Reflector 10 x 50 mm ² , plane, micro triple	PL 15 F	5 313 849	1456
Reflector 20 x 40 mm ² , micro triple	PL 20 F	5 308 844	1456
Reflector 47 x 47 mm ² , micro triple	P 250 F	5 308 843	1456
Reflector, width across flats 52 mm, micro triple	P 55 F	5 313 924	1456
Special reflectors			
Reflector, 6-sided, width across flats 48 mm, oil-tight	PL 53 A	1 000 382	1456
Combi-reflector, 3 x 3 PL 80 A, reflective foil centre, for DME	PL 240 F	1 013 784	1458
Reflector, 280 x 280 mm ² , Diamond Grade, for DME	PL 240 DG	1 017 910	1458
Reflector, 280 x 280 mm ² , High Grain, for DME	PL 240-7610	1 019 012	1458
Combi-reflector, 7 x 7 PL 80 A, reflective foil centre, for DME	PL 560 F	1 013 785	1458
Reflector, 605 x 605 mm ² , Diamond Grade, for DME	PL 560 DG	1 016 806	1458
Combi-reflector, 11 x 11 PL 80 A, centre reflectivity reduced, for DME	PL 880 F	1 013 786	1459
Reflector, 914 x 914 mm ² , Diamond Grade, for DME	PL 880 DG	1 018 975	1459
Reflector, 928 x 928 mm ² , 11 x 11 PL 80 A, able to be linked in a row, for DME	PL 880 FS01	1 017 865	1459
Triple reflector, glass, \varnothing 60 mm, $f = \infty$	OP 60- ∞	1 000 141	1456
Triple reflector, glass, \varnothing 60 mm, $f = 20$ m	OP 60-20	1 000 136	1456
Reflectors with heating, 24 V UC; 1.4 W			
Reflector, 6-sided, width across flats 48 mm, continuous heating	PL 50 HK	1 011 545	1457
Reflector, 6-sided, width across flats 48 mm, regulated heating	PL 50 HS	1 009 871	1457
Triple reflectors, glass, for temperatures up to 300 °C			
Reflector, \varnothing 50 mm	SW 50	1 000 131	1457
Triple reflector, glass, \varnothing 60 mm, hightemperature resistant seals	OP 61- ∞	1 002 627	1457
Plastic reflectors for temperatures up to 110 °C			
Reflector 47 x 47 mm ²	P 250 H	5 315 124	1457



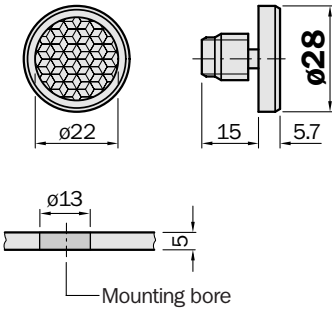
Selection table, reflectors

Description	Type	Order no.	Page
Self-adhesive reflective tape for photoelectric switches with polarisation filter			
Reflective tape DG, sheet 749 x 914 mm ²	REF-DG	5 304 334	1460
Reflective tape DG, cut to size	REF-DG-K	4 019 634	1460
Reflective tape DG, roll 51 mm x 22.8 m	REF-DG-R51	5 315 090	1460
Reflective tape DG, roll 25 mm x 22.8 m	REF-DG-R25	5 314 423	1460
Self-adhesive reflective tape for photoelectric switches without polarisation filter			
Reflective tape, width 9.14 cm, length of roll 4.57 m, cut to size	REF-3290-K	4 018 696	1460
Reflective tape, width 7.6 cm, length of roll 45.7 m, cut to size	REF-5870-K	4 018 616	1460
Reflective tape, width 61 cm, length of roll 4.57 m, cut to size	REF-7610-K	4 018 617	1460

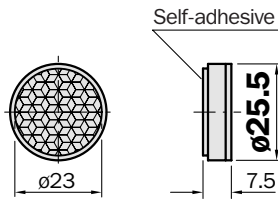
Dimensional drawings and order information

SENSICK reflectors plastic design, round for temperatures up to 65 °C

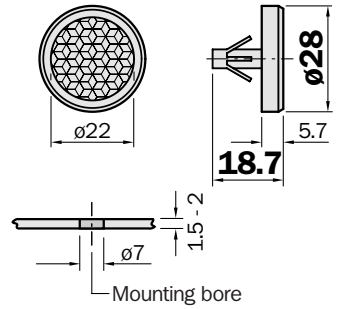
Reflector, \varnothing 28 mm	
plug-in	
Type	Order no.
PL 22-1	1 003 546



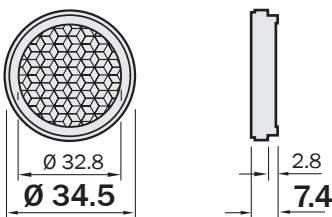
Reflector, \varnothing 25.5 mm	
self-adhesive	
Type	Order no.
PL 22-2	1 003 621



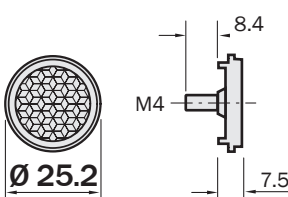
Reflector, \varnothing 28 mm	
plug-in, for sheet metal	
Type	Order no.
PL 22-3	1 004 488



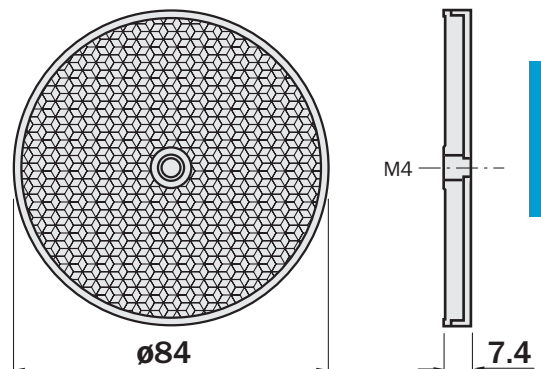
Reflector, \varnothing 34.5 mm	
plane	
Type	Order no.
P 34	5 313 922



Reflector, \varnothing 25.2 mm	
screwable, M4 screw	
Type	Order no.
P 25	5 315 172



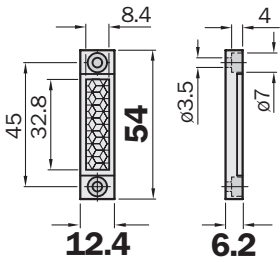
Reflector, \varnothing 84 mm	
screwable	
Type	Order no.
C 110 A	5 304 549



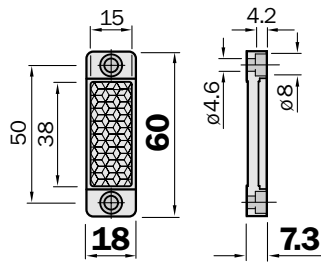
Dimensional drawings and order information

SENSICK reflectors plastic design, angular for temperatures up to 65 °C

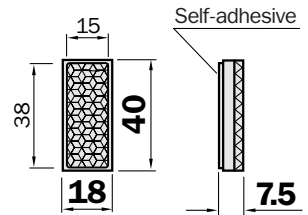
Reflector 32.8 x 8.4 mm ²	
screwable	
Type	Order no.
P 45	5 308 002



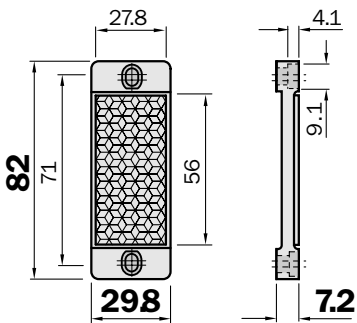
Reflector 20 x 40 mm ²	
screwable	
Type	Order no.
PL 20 A	1 012 719



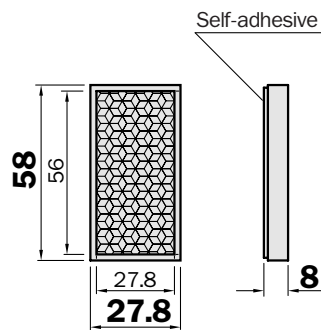
Reflector 20 x 40 mm ²	
self-adhesive	
Type	Order no.
PL 21 A	1 015 172



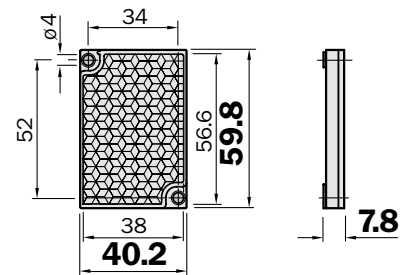
Reflector 30 x 50 mm ²	
screwable	
Type	Order no.
PL 30 A	1 002 314



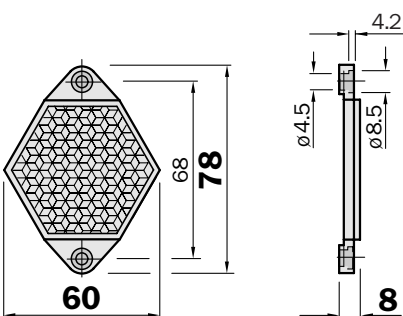
Reflector 30 x 50 mm ²	
self-adhesive	
Type	Order no.
PL 31 A	1 002 315



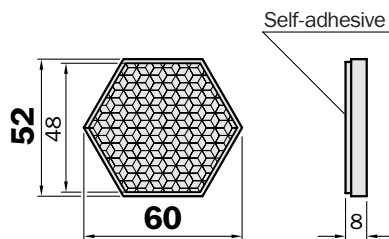
Reflector 40 x 60 mm ²	
screwable	
Type	Order no.
PL 40 A	1 012 720



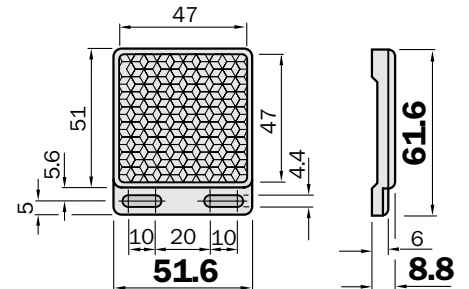
Reflector, 6-sided	
Width across flats 52 mm	
screwable	
Type	Order no.
PL 50 A	1 000 132



Reflector, 6-sided	
Width across flats 52 mm	
self-adhesive	
Type	Order no.
PL 51 A	1 001 628



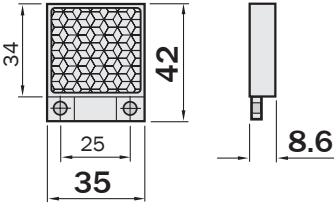
Reflector 47 x 47 mm ²	
screwable	
Type	Order no.
P 250	5 304 812



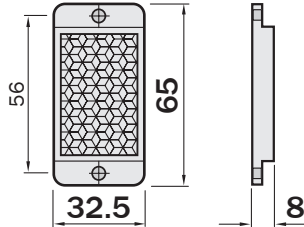
Dimensional drawings and order information

SENSICK reflectors plastic design, angular for temperatures up to 65 °C

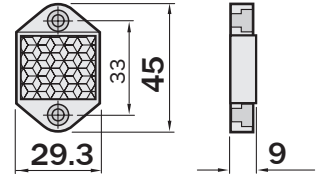
Reflector 34 x 35 mm ²	
screwable	
Type	Order no.
P 42	5 314 825



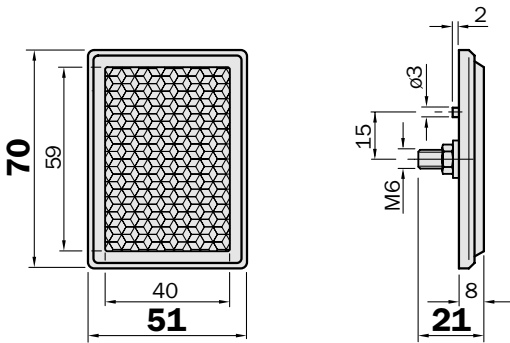
Reflector 32 x 48 mm ²	
screwable	
Type	Order no.
P 32	5 314 001



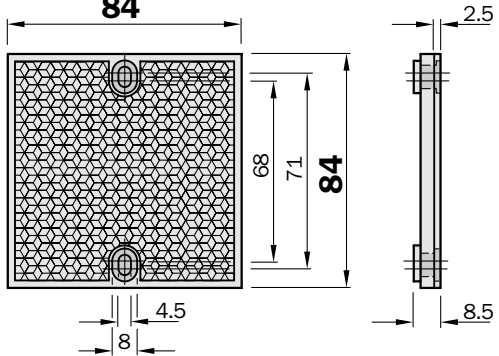
Reflector 28 x 29 mm ²	
screwable	
Type	Order no.
P 40	5 313 923



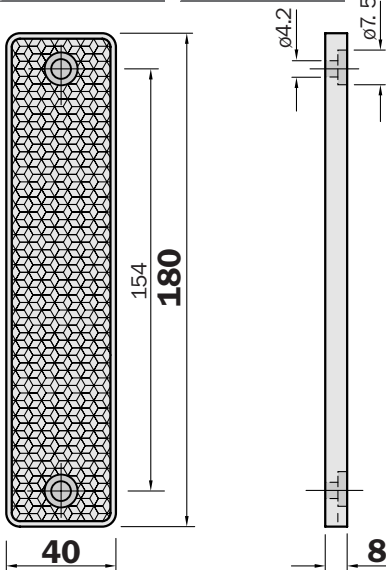
Reflector 70 x 51 mm ² , with M6 mounting bolt	
Type	Order no.
PL 72	5 304 145



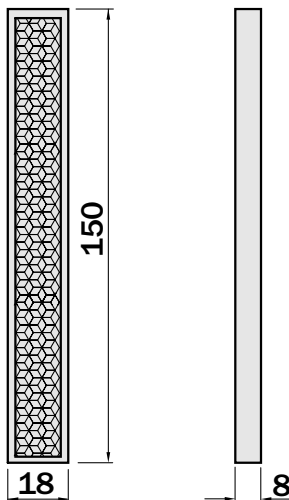
Reflector 80 x 80 mm ²	
screwable	
Type	Order no.
PL 80 A	1 003 865



Reflector 40 x 180 mm ²	
screwable	
Type	Order no.
PL 180 E01	1 013 289



Reflector 18 x 115 mm ²	
self-adhesive	
Type	Order no.
PL 150	5 315 548

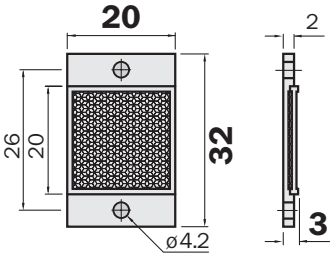


* with/without reducing sleeve

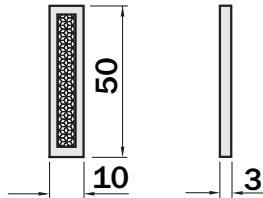
Dimensional drawings and order information

SENSICK micro triple reflectors plastic design, angular for temperatures up to 65 °C

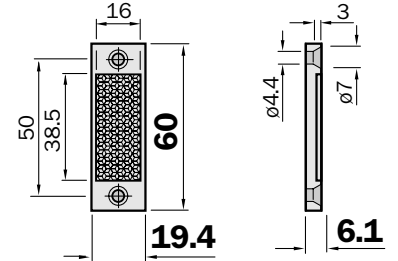
Micro triple reflector 20 x 20 mm ² screwable	
Type	Order no.
PL 10 F	5 311 210



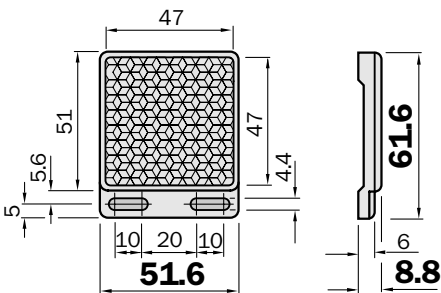
Micro triple reflector 10 x 50 mm ² plane	
Type	Order no.
PL 15 F	5 313 849



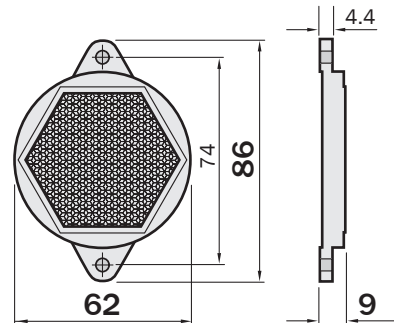
Micro triple reflector 20 x 40 mm ² screwable	
Type	Order no.
PL 20 F	5 308 844



Micro triple reflector 47 x 47 mm ² screwable	
Type	Order no.
P 250 F	5 308 843

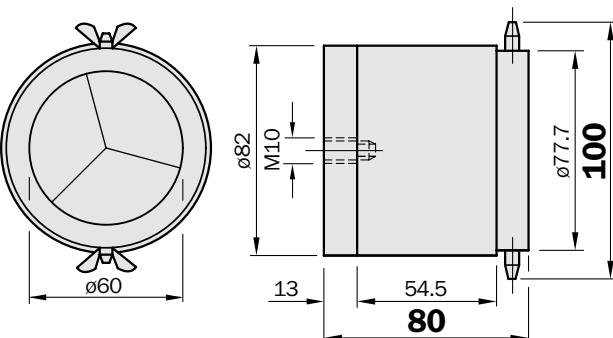


Micro triple reflector, 6-sided, width across flats 52 mm screwable	
Type	Order no.
P 55 F	5 313 924



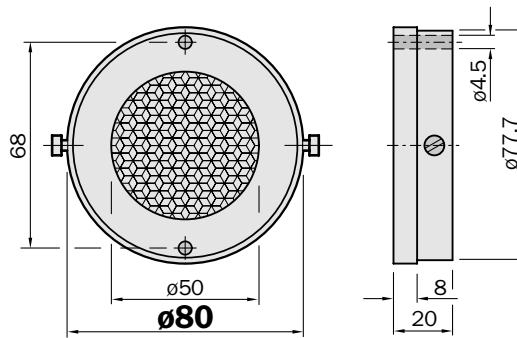
SENSICK special reflectors, glass for temperatures up to 65 °C

Triple reflector, glass, ϕ 60 mm screwable		
Type	Order no.	Bemerkung
OP 60- ∞	1 000 141	f = ∞
OP 60-20	1 000 136	f = 20 m



SENSICK special reflectors, oil-tight for temperatures up to 65 °C

Reflector, ϕ 50 mm screwable	
Type	Order no.
PL 53 A	1 000 382



Dimensional drawings and order information

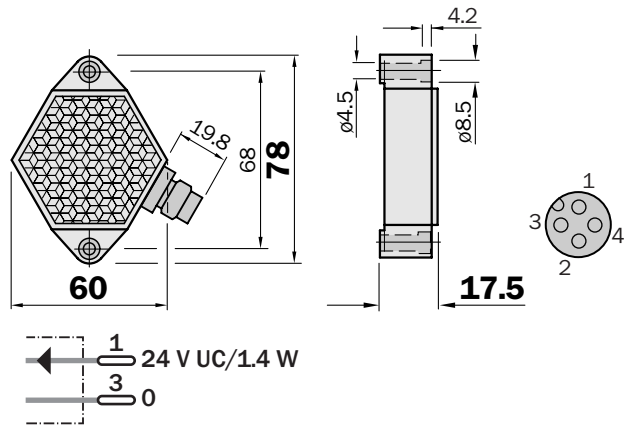
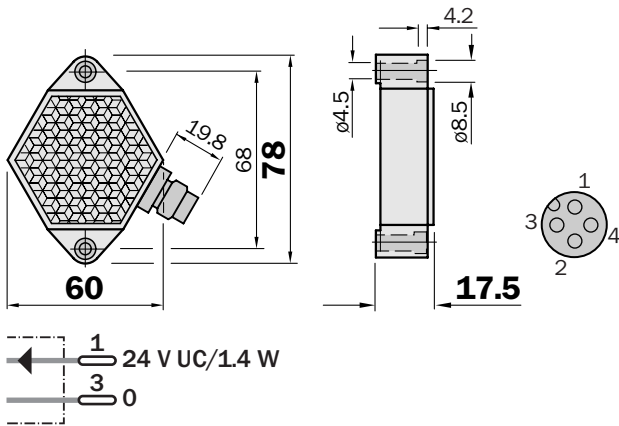
SENSICK special reflectors, with heating, for temperatures up to 65 °C

Reflector, 6-sided, width across flats 52 mm, continuous heating screwable

Type	Order no.
PL 50 HK	1 011 545

Reflector, 6-sided, width across flats 52 mm, regulated heating screwable

Type	Order no.
PL 50 HS	1 009 871

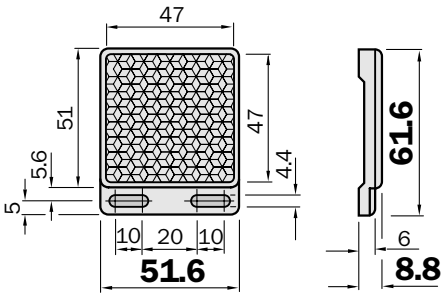


Heating ON: < 15 °C

SENSICK special reflectors plastic design, for temperatures up to 110 °C

Reflector, 47 x 47 mm screwable

Type	Order no.
P 250 H	5 315 124



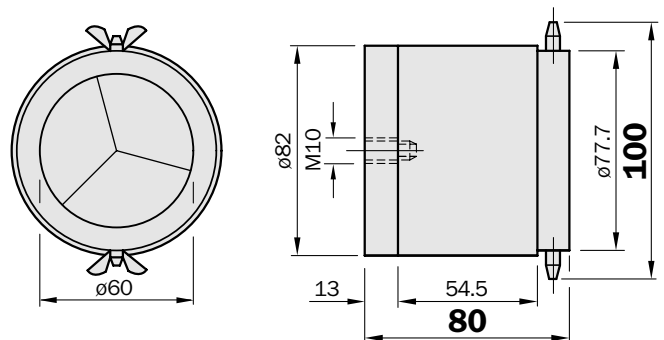
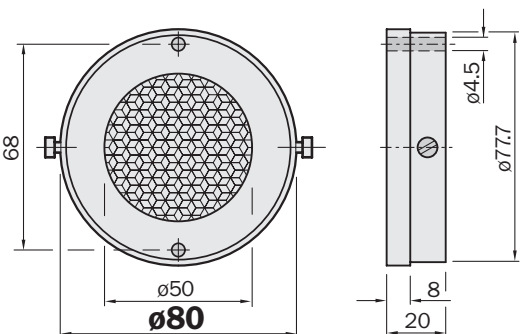
SENSICK special reflectors, glass, for temperatures up to 300 °C

Reflector, ϕ 50 mm

Type	Order no.
SW 50	1 000 131

Triple reflector, glass, ϕ 60 mm high temperature resistant seals

Type	Order no.
OP 61- ∞	1 002 627

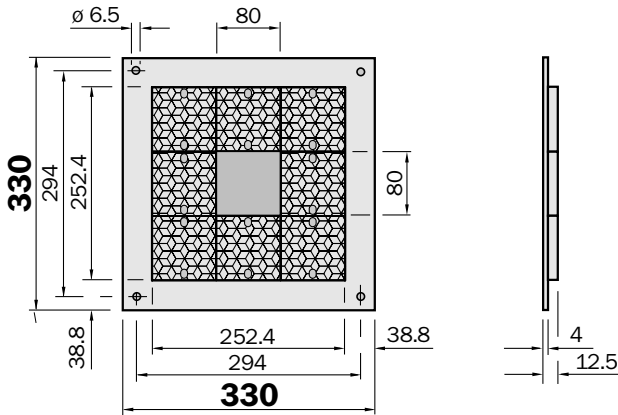


Dimensional drawings and order information

Special reflectors

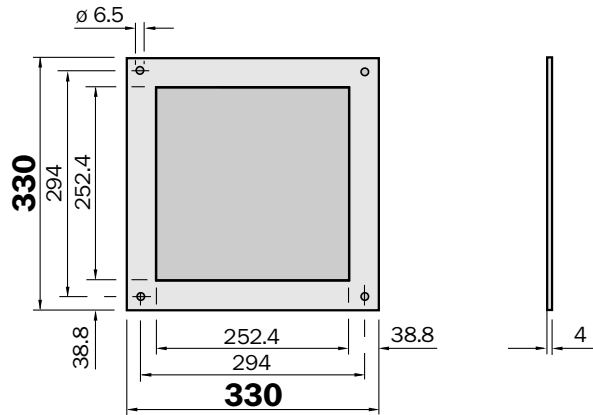
Combi-reflector, 3 x 3 PL 80 A, reflective foil centre, for DME

Type	Order no.
PL 240 F	1 013 784



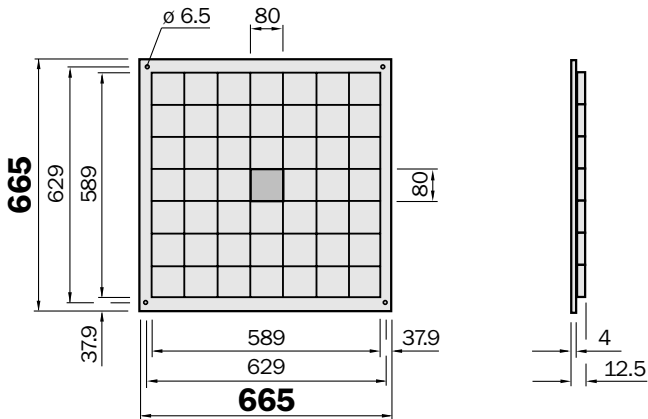
Reflector, 280 x 280 mm, for DME

Type	Order no.	Reflective tape
PL 240 DG	1 017 910	Diamond Grade
PL 240-7610	1 019 012	High Grain



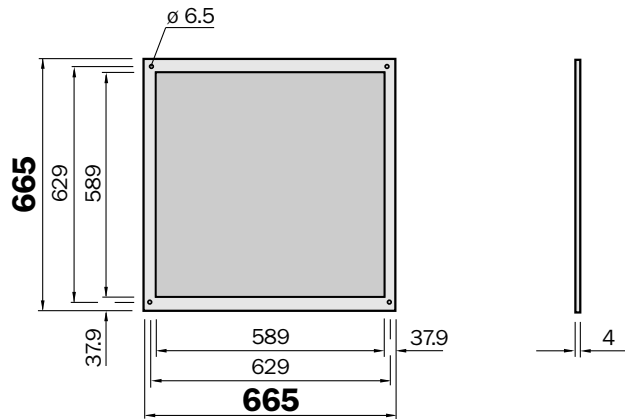
Combi-reflector, 7 x 7 PL 80 A, reflective foil centre, for DME

Type	Order no.
PL 560 F	1 013 785



Reflector, 605 x 605 mm, Diamond Grade, for DME

Type	Order no.
PL 560 DG	1 016 806



Dimensional drawings and order information

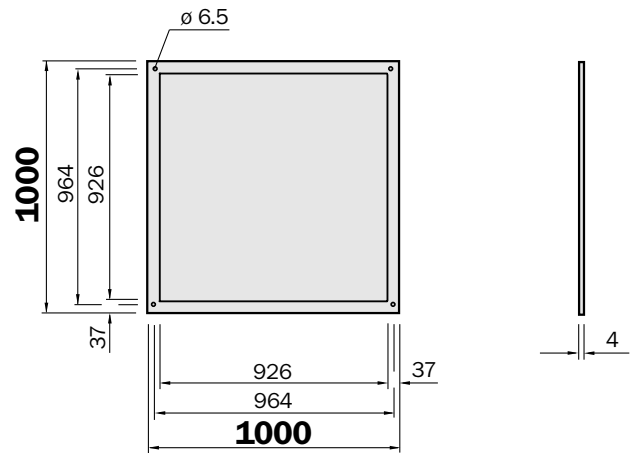
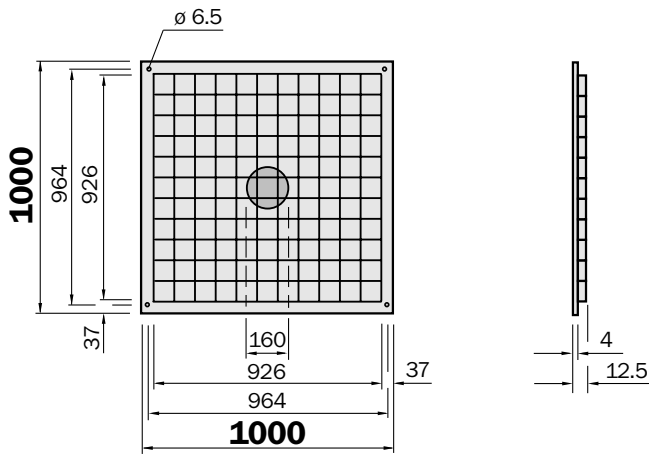
Special reflectors

Combi-reflector, 11 x 11 PL 80 A, centre reflectivity reduced, for DME

Type	Order no.
PL 880 F	1 013 786

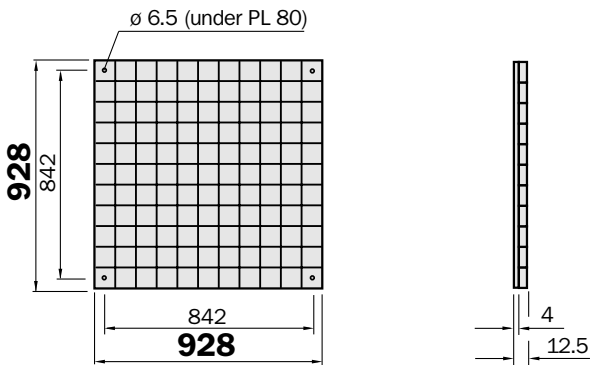
Reflector, 914 x 914 mm², Diamond Grade, for DME

Type	Order no.
PL 880 DG	1 018 975



Reflector, 11 x 11 PL 80 A, can be linked in a row, for DME

Type	Order no.
PL 880 FS01	1 017 865



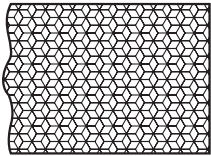
Dimensional drawings and order information

Self-adhesive reflective tape for photoelectric switches with polarisation filter

Reflective tape „Diamond Grade“

self-adhesive

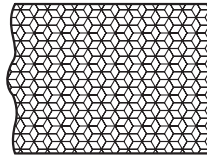
Type	Order no.	
REF-DG-K	4 019 634	cut to size
REF-DG	5 304 334	Sheet 749 x 914 mm



Reflective tape „Diamond Grade“

self-adhesive

Type	Order no.	
REF-DG-R51	5 315 090	roll 51 mm x 22.8 m
REF-DG-R25	5 314 423	roll 25 mm x 22.8 m

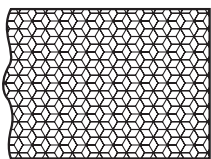


Self-adhesive reflective tape for photoelectric switches without polarisation filter

Reflective tape, width 91.4 cm

Length of roll 4.57 m, cut to size

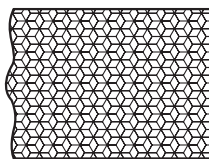
Type	Order no.
REF-3290-K	4 018 696



Reflective tape, width 7.6 cm

Length of roll 45.7 m, cut to size

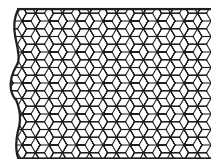
Type	Order no.
REF-5870-K	4 018 616



Reflective tape, width 61 cm

Length of roll 4.57 m, cut to size

Type	Order no.
REF-7610-K	4 018 617



SICK