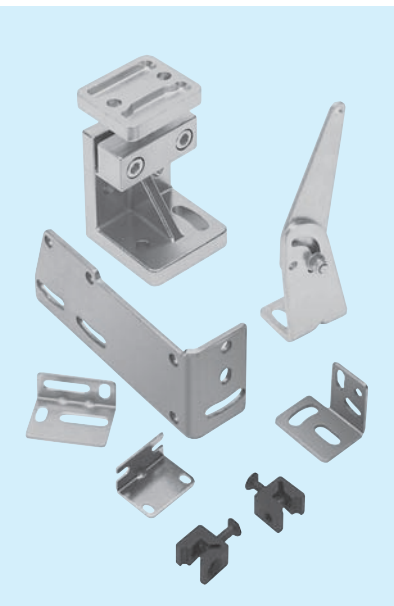


**Selection table for mounting brackets, clamps and articulated mountings**

Sensor	Description	Type	Order no.
ST 130-S13, -S19, -S23, -S29	Mounting bracket	BEF-130-SM	5 306 246
ST 130-S33	Mounting bracket	BEF-130-SP	5 306 245
SS/SE 130-S33	Mounting bracket	BEF-130-ST	5 306 244
SI 130	Mounting bracket	BEF-WLL160	5 305 400
W 4-2	Mini ball joint bracket	BEF-GH-MINI01	2 023 160
W 150	Mounting bracket, horizontal*)	BEF-W150-A	5 306 217
W 150	Mounting bracket, vertical*)	BEF-W150-B	5 306 279
W 160	Mounting bracket	BEF-W160	5 305 197
WLL 160	Mounting bracket	BEF-WLL16	5 305 400
W 170	Mounting bracket	BEF-W170	5 305 686
WLL 170/WLL 190	Mounting bracket	BEF-WLL170	5 306 574
W 9-2	Mounting bracket	BEF-WN-W9-2	2 022 855
W 12-2, W 12L-2	Clamp	BEF-KH-W12	2 013 285
W 12-2, W 12L-2	Double clamp	BEF-DKH-W12	2 013 947
W 12-2, W 12L-2	Clamp for top-hat rail	BEF-HPS-W12	2 018 060
W 12-2, W 12L-2	Mounting bracket, large	BEF-WG-W12	2 013 942
W 12-2, W 12L-2	Mounting bracket, small	BEF-WK-W12	2 012 938
W 14-2, W 18-3	Mounting bracket	BEF-WN-W14	2 019 084
W 14-2, W 18-3	Mounting bracket	BEF-WN-W18	2 009 317
W 23-2, W 27-3	Mounting bracket	BEF-WN-W23	2 019 085
W 23-2, W 27-3	Mounting bracket	BEF-WN-W27	2 009 122
WTA 24, W 24-2, W 24 Exi, W 34	Mounting bracket, large	BEF-WG-W24	4 026 324
W 24-2, W 24 Exi, W 34	Mounting bracket, small	BEF-WK-W24	4 027 532
W 250	Mounting bracket	BEF-W250	5 305 850
W 260	Mounting bracket	BEF-W260	5 304 819
W 30, W 32, W 34	Mounting bracket	BEF-WN-W32	2 005 806
W 45	Universal joint, complete	BEF-KK-W45	2 011 436
W 45	Mounting bracket	BEF-WN-W45	2 011 480
V 12, IM 12, MM 12	Mounting bracket	BEF-WN-M12	5 308 447
V 18, IM 18, MM 18, CM 18	Mounting bracket	BEF-WN-M18	5 308 446
IM 30, CM 30	Mounting bracket	BEF-WN-M30	5 308 445
V 18, IM 18, MM 18, CM 18	Mounting bracket with ball-joint	BEF-WN-M18-ST02	5 312 973
WTR, WLR	Mounting bracket	BEF-WN-WTR	2 017 417
WLG 12	Mounting bracket	BEF-WN-WLG12	2 017 567
KT 2	Clamp	BEF-KH-W12	2 013 285
KT 2	Double clamp	BEF-DKH-W12	2 013 947
KT 2	Mounting bracket, large	BEF-WG-W12	2 013 942
KT 2	Mounting bracket, small	BEF-WK-W12	2 012 938
KT 3	Mounting bracket	BEF-WN-W9-2	2 022 855
DS 60	Mounting bracket	BEF-WN-DS60	4 032 937
DME 2000/3000	Articulated mounting	BEF-GH-DME	2 015 229
DMH/DMP	Articulated mounting	BEF-GH-DMH2	2 020 796
DMT/DML	Articulated mounting	BEF-GH-DMT	5 309 130
LUT	Articulated mounting	BEF-GH-LUT1-5	1 005 580
ISD 230/260/280	Three-point mounting	BEF-KH-ISD	5 306 369

\*) including mounting material



**Table of adapters for pneumatic cylinders**

For unit	Description	Type	Order no.
MZT 6/RZT 6, MZT 1/RZT 1	Mounting bracket for profile-/tie-rod cylinders	BEF-KHZ-PT1	2 022 702
MZT 6/RZT 6, MZT 1/RZT 1	Mounting bracket for round body cylinder/piston diameters of 8 ... 25 mm	BEF-KHZ-RT1-25	5 311 171
MZT 6/RZT 6, MZT 1/RZT 1	Mounting bracket for round body cylinder/piston diameters of 8 ... 63 mm	BEF-KHZ-RT1-63	5 311 172
MZT 6/RZT 6, MZT 1/RZT 1	Mounting bracket for cylinders with a dovetail slot	BEF-KHZ-ST1	2 022 703
MZU 2	Clamping piece for cylinder with "T" slot/dovetail slot	BEF-KS-U2-T1	2 019 822
MZU 2	Clamping piece for tie-rod cylinder	BEF-KS-U2-S1	4 030 922
MZU 2	Clamping piece for tie-rod cylinder (Teflon)	BEF-KS-U2-S1T	4 031 632
MZU 2	Clamping piece for profile rod cylinders up to a rod width 13 mm	BEF-KS-U2-P1	2 019 824
MZU 2	Clamping piece for profile rod cylinders up to a rod width 18 mm	BEF-KS-U2-P2	2 019 823

**Table of mounting clamps for magnetic cylinder sensors MZR 1 on round body cylinders**

For unit	Description	Type	Order no.
MZR 1	Cylinders with piston diameter 8 mm	BEF-S-R1-08	7 902 337
MZR 1	Cylinders with piston diameter 10 mm	BEF-S-R1-10	7 901 753
MZR 1	Cylinders with piston diameter 12 mm	BEF-S-R1-12	7 901 754
MZR 1	Cylinders with piston diameter 16 mm	BEF-S-R1-16	7 901 755
MZR 1	Cylinders with piston diameter 20 mm	BEF-S-R1-20	7 901 756
MZR 1	Cylinders with piston diameter 25 mm	BEF-S-R1-25	7 901 757
MZR 1	Cylinders with piston diameter 32 mm	BEF-S-R1-32	7 901 758
MZR 1	Cylinders with piston diameter 40 mm	BEF-S-R1-40	7 901 759
MZR 1	Cylinders with piston diameter 50 mm	BEF-S-R1-50	7 901 760
MZR 1	Cylinders with piston diameter 63 mm	BEF-S-R1-63	7 901 761

**Table of clamping bands for magnetic cylinder sensors MZR 2 on round body cylinders**

For unit	Description	Type	Order no.
MZR 2	Cylinders with piston diameter 8 ... 16 mm	BEF-S-R2-16	7 901 762
MZR 2	Cylinders with piston diameter 20 or 25 mm	BEF-S-R2-25	7 901 763
MZR 2	Cylinders with piston diameter 32 mm	BEF-S-R2-30	7 901 764
MZR 2	Cylinders with piston diameter 40 mm	BEF-S-R2-40	7 901 765
MZR 2	Cylinders with piston diameter 50 mm	BEF-S-R2-50	7 901 766
MZR 2	Cylinders with piston diameter 63 mm	BEF-S-R2-63	7 901 767
MZR 2	Cylinders with piston diameter 80 mm	BEF-S-R2-80	7 901 768
MZR 2	Cylinders with piston diameter 100 mm	BEF-S-R2-100	7 901 769

**Selection table for clamps**
**Universal clamps, rod mounting**

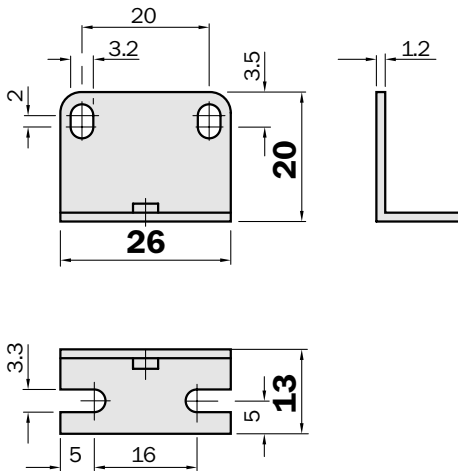
For equipment	Description	Type	Order no.**
<b>Bar clamps</b>			
W 23-2, W 27-3	Universal clamp/plate A	BEF-KHS-A01	2 022 458
P 250, P 250 F, PL 30 A, PL 40 A, PL 50 A, PL 80 A, C 110	Universal clamp/plate B	BEF-KHS-B01	2 022 459
W 14-2, W 18-3	Universal clamp/plate C	BEF-KHS-C01	2 022 460
W 11, W 12-2, W 12L-2, KT 2	Universal clamp/plate D	BEF-KHS-D01	2 022 461
W 30, W 32, W 34, W 36	Universal clamp/plate E	BEF-KHS-E01	2 022 462
PL 20 A, PL 20 F, P 250, P 250 F, W 260, W 280	Universal clamp/plate F	BEF-KHS-F01	2 022 463
W 24-2, W 24 Exi, WTA 24, KT 5, KT 10, CS 1/3, LUT 3	Universal clamp/plate G	BEF-KHS-G01	2 022 464
V 18, W 4-2, IM 18, MM 18, CM 18, UM 18	Universal clamp/plate H	BEF-KHS-H01	2 022 465
PL 20 A, PL 20 F, PL 40 A, PL 50 A, P 250, P 250 F, C 110	Universal clamp/plate J	BEF-KHS-J01	2 022 719
W 11, W 12-2, W 12L-2, W 14-2, W 18-3, W 23-2, W 24-2, W 27-3	Universal clamp/plate K	BEF-KHS-K01	2 022 718
W 30, W 32, W 34, W 36, KT 5, KT 10, CS, LUT 3, DS 60, PL 20 A, PL 20 F, PL 30 A, PL 40 A, PL 50 A, PL 80 A, P 250, P 250 F, C 110, W 280			
W 9-2, KT 3, P 250, P 250 F, W 250, W 140-2, W 150, W 160	Universal clamp/plate L	BEF-KHS-L01	2 023 057
Clamp without mounting plate		BEF-KHS-KH1	2 022 726

\*\*) Order No. includes bar clip and installation material

## Dimensional drawings and order information

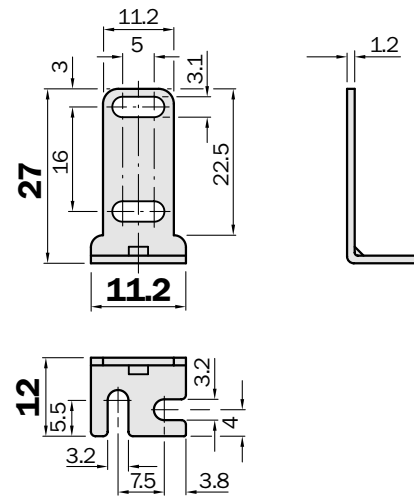
### Mounting bracket for ST 130-S13, -S19, -S23, -S29 \*)

Type	Order no.
BEF-130-SM	5 306 246



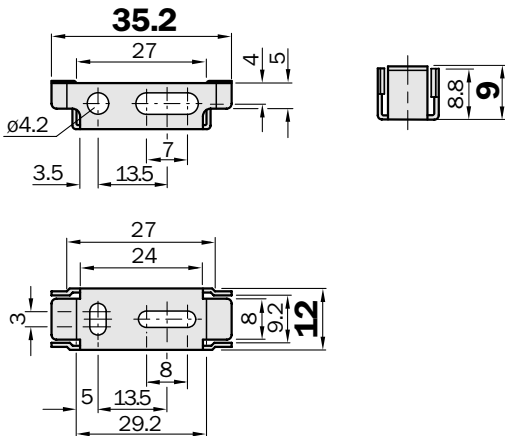
### Mounting bracket for ST 130-S33\*)

Type	Order no.
BEF-130-SP	5 306 245



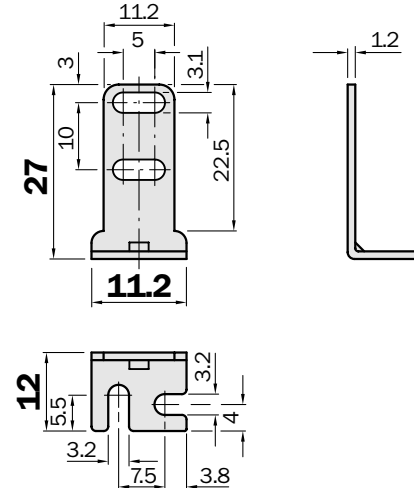
### Mounting bracket for SI 130\*), WLL 160\*)

Type	Order no.
BEF-WLL 160	5 305 400



### Mounting bracket for SS/SE 130-S33\*)

Type	Order no.
BEF-130-ST	5 306 244

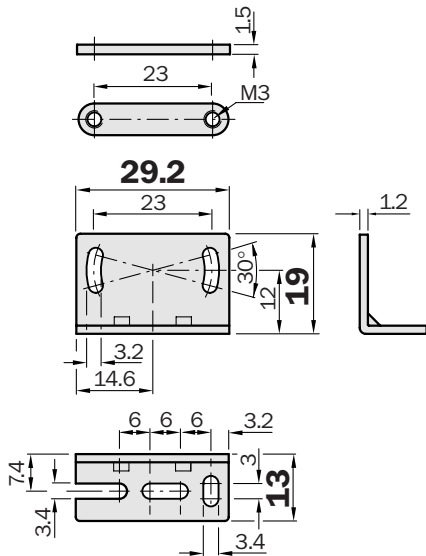


\*) Included with delivery

Dimensional drawings and order information

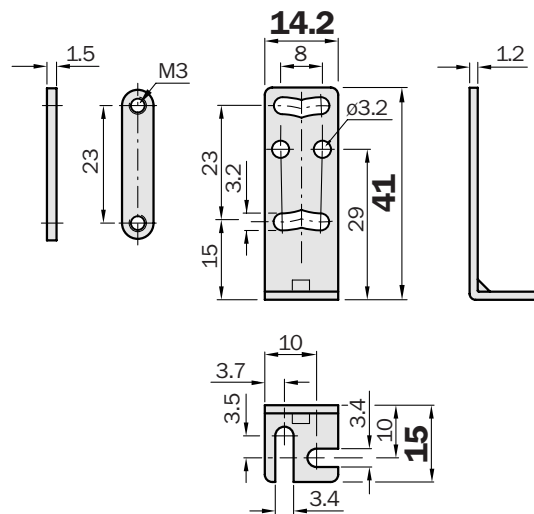
Mounting bracket, horizontal for W 150\*)

Type	Order no.
BEF-W150-A	5 306 217



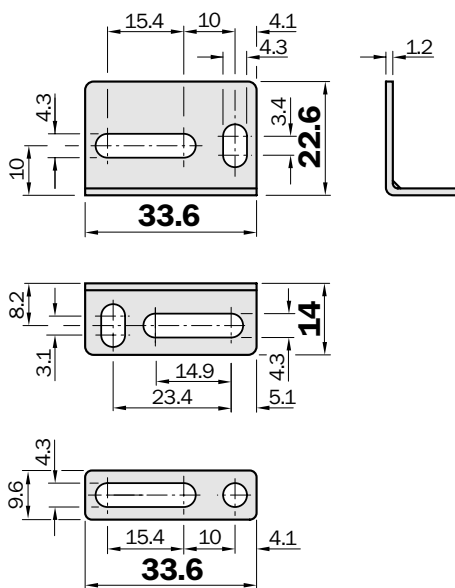
Mounting bracket, vertical for W 150\*)

Type	Order no.
BEF-W150-B	5 306 279



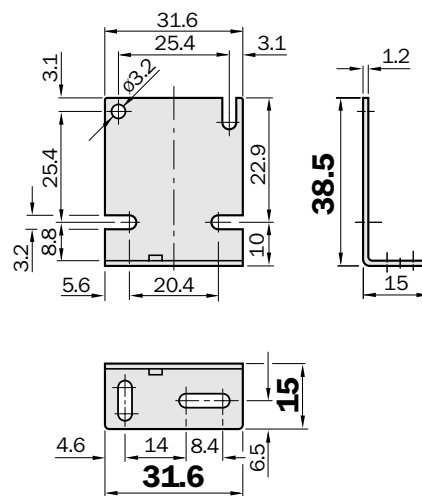
Mounting bracket for W 160\*)

Type	Order no.
BEF-W160	5 305 197



Mounting bracket for W 170\*)

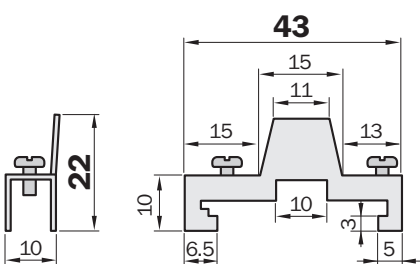
Type	Order no.
BEF-W170	5 305 686



Endcap for block installation WLL 190T/WI130L on DIN-RAIL mounting 1)

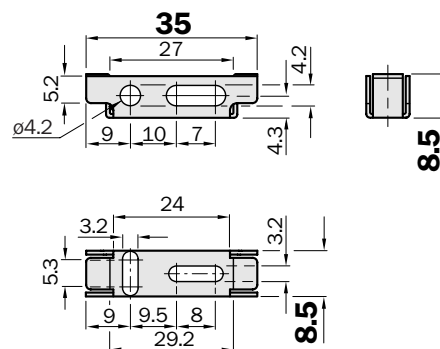
Type	Order no.
BF-EB01-W190	5 313 011

1) 2 pieces included with delivery WLL190T



Mounting bracket for WLL 170\*), WLL 190\*)

Type	Order no.
BEF-WLL170	5 306 574

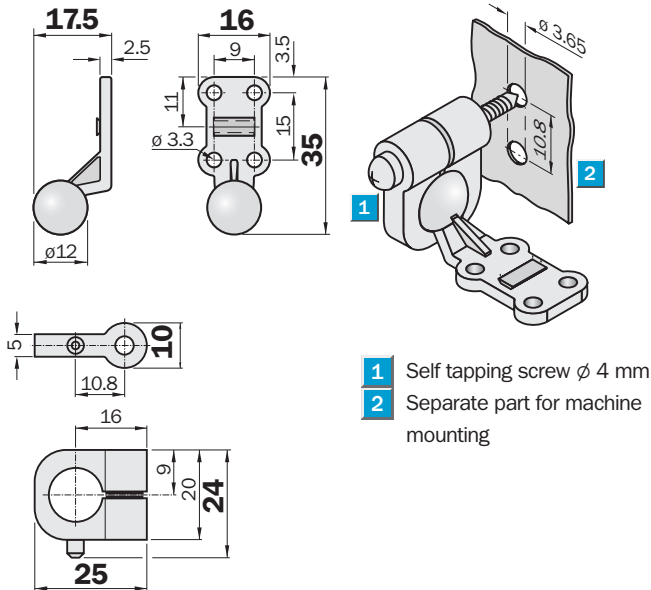


\*) Included with delivery

## Dimensional drawings and order information

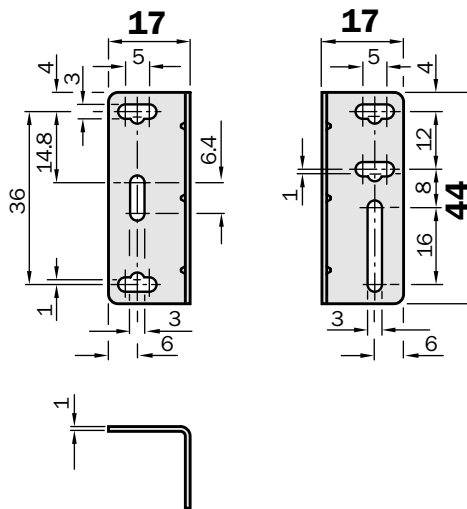
### Mini ball joint bracket for W 4-2

Type	Order no.
BEF-GH-MINI01	2 023 160



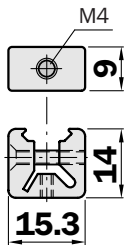
### Mounting bracket for W 9-2, KT 3

Type	Order no.
BEF-WN-W9-2	2 022 855



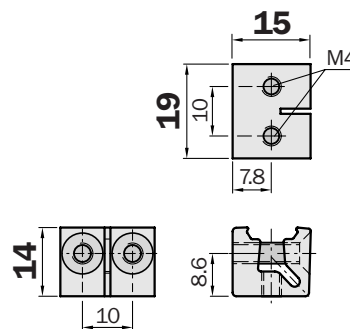
### Clamp for W 12-2, W 12L-2, KT 2

Type	Order no.	
BEF-KH-W12	2 013 285	Countersunk screw M4 x 15 mm included with delivery



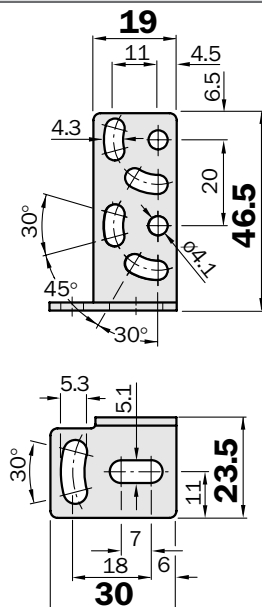
### Double clamp for W 12-2, W 12L-2, KT 2

Type	Order no.	
BEF-DKH-W12	2 013 947	2 countersunk screws M4 x 15 mm included with delivery



### Mounting bracket, large (stainless steel) for W 12-2, W 12L-2, KT 2

Type	Order no.
BEF-WG-W12	2 013 942

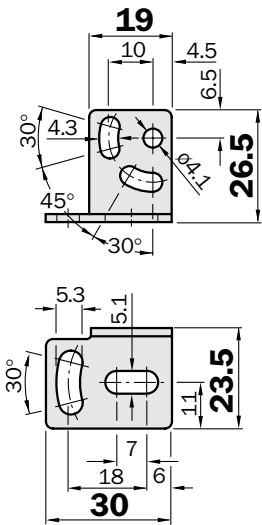


\*) TS 32 acc. to EN 50022

Dimensional drawings and order information

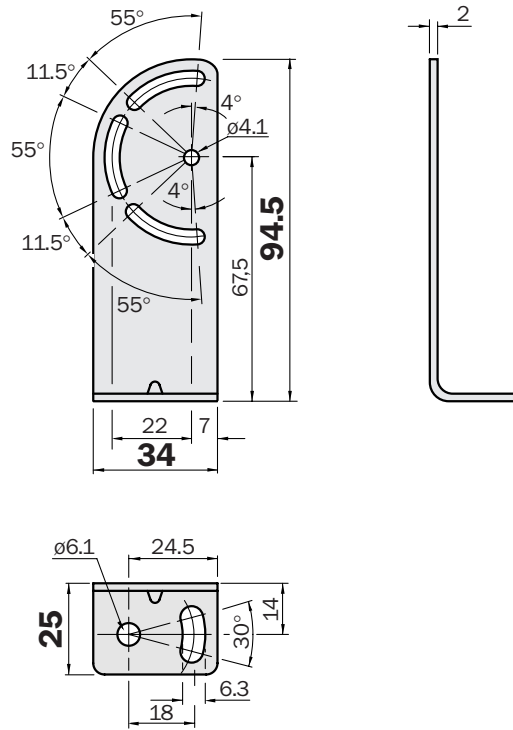
Mounting bracket, small (stainless steel) for W 12-2, W 12L-2, KT 2

Type	Order no.
BEF-WK-W12	2 012 938



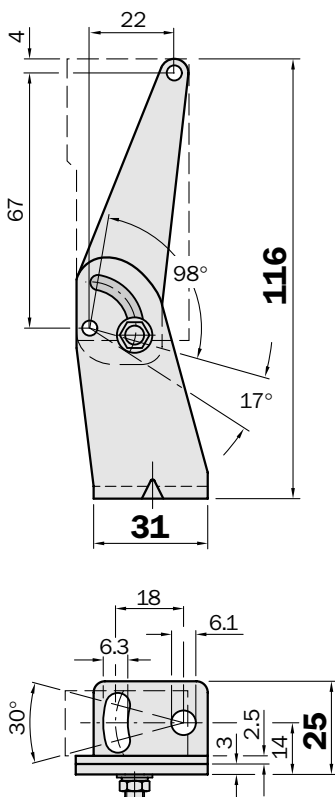
Mounting bracket for W 14-2, W 18-3

Type	Order no.
BEF-WN-W14	2 019 084



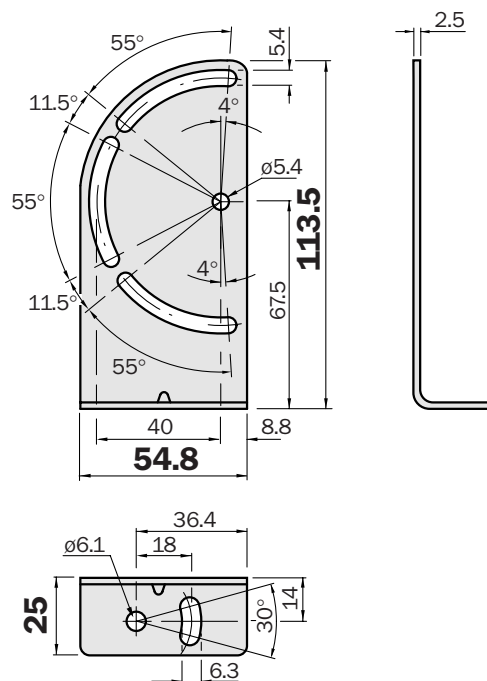
Mounting bracket for W 14-2, W 18-3

Type	Order no.
BEF-WN-W18	2 009 317



Mounting bracket for W 23-2, W 27-3

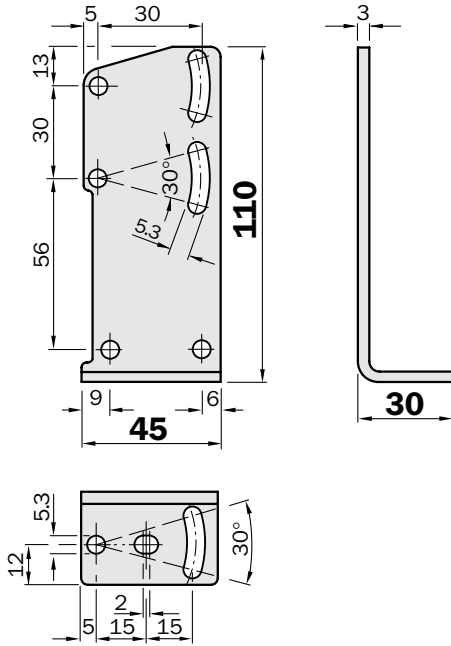
Type	Order no.
BEF-WN-W23	2 019 085



## Dimensional drawings and order information

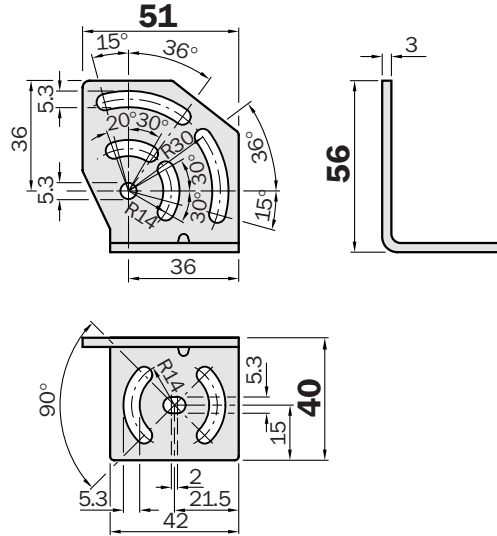
### Mounting bracket, large (stainless steel) for W 24-2, W 24 Exi, WTA 24, W 34

Type	Order no.
BEF-WG-W24	4 026 324



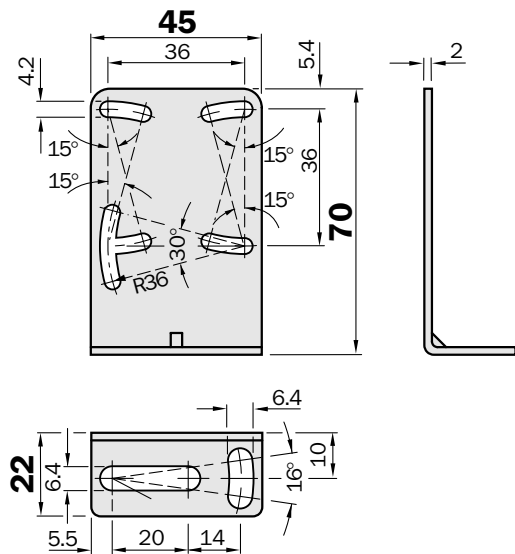
### Mounting bracket, small (stainless steel) for W 24-2, W 24 Exi, WTA 24, W 34

Type	Order no.
BEF-WK-W24	4 027 532



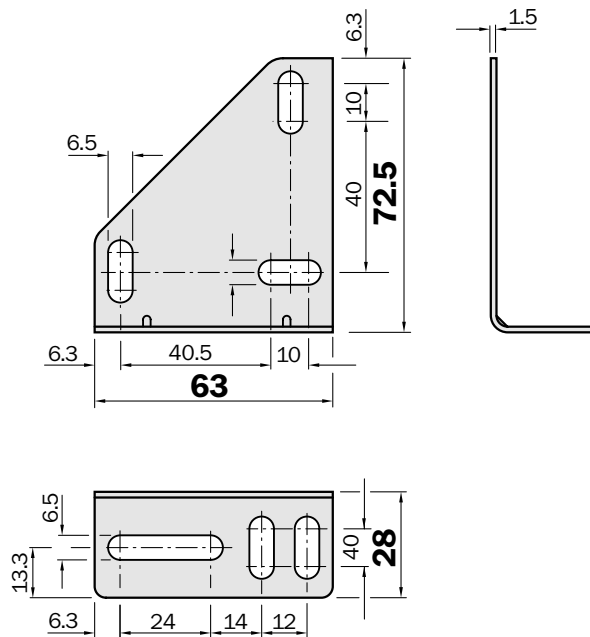
### Mounting bracket for W 250\*)

Type	Order no.
BEF-W250	5 305 850



### Mounting bracket for W 260\*)

Type	Order no.
BEF-W260	5 304 819

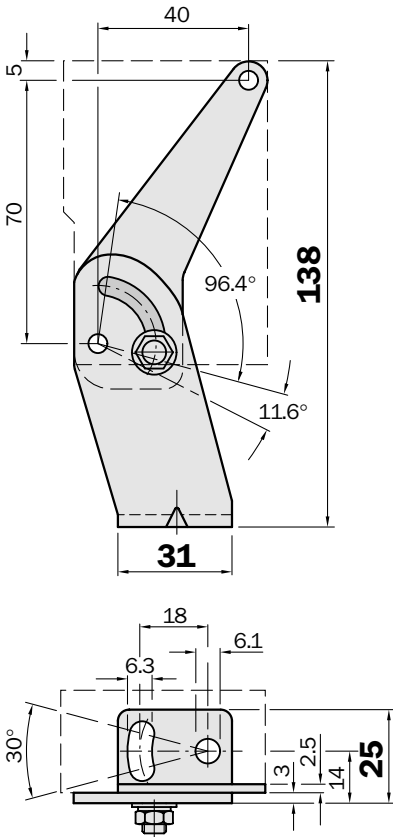


\*) Included with delivery

Dimensional drawings and order information

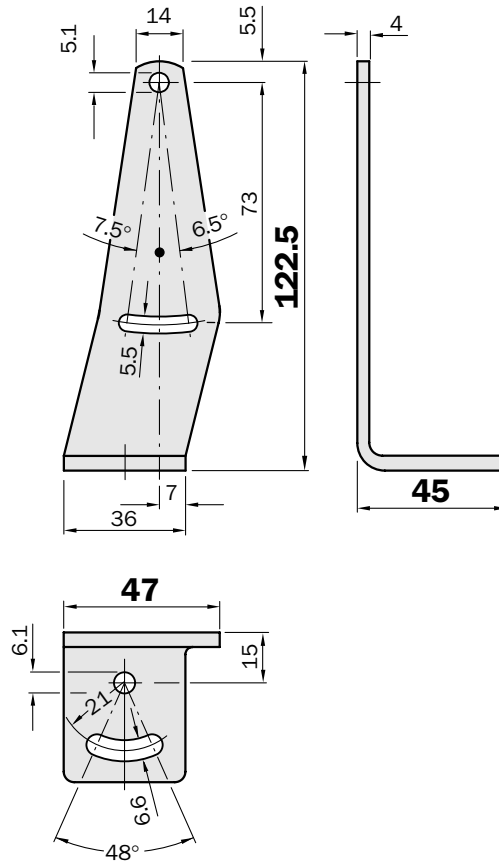
Mounting bracket for W 27-3, W 23-2

Type	Order no.
BEF-WN-W27	2 009 122



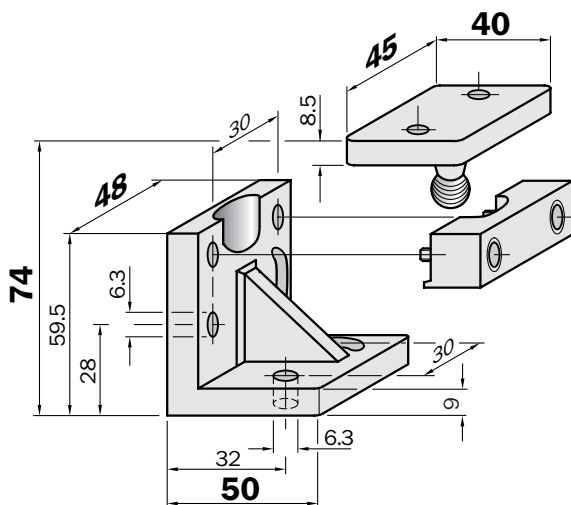
Mounting bracket for WT 30, WT 32, W 34

Type	Order no.
BEF-WN-W32	2 005 806



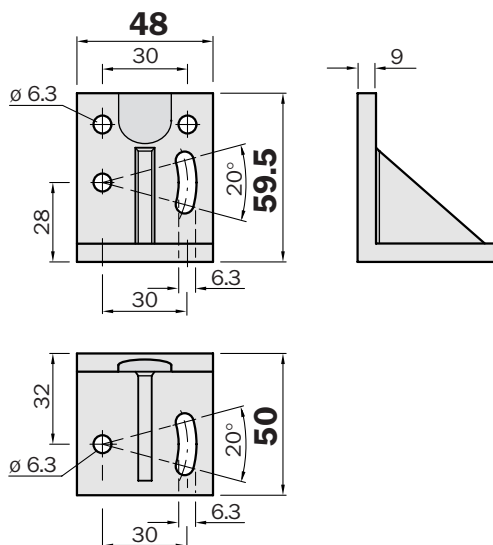
Universal joint, complete, for W 45

Type	Order no.
BEF-KK-W45	2 011 436



Mounting bracket for W 45

Type	Order no.
BEF-WN-W45	2 011 480

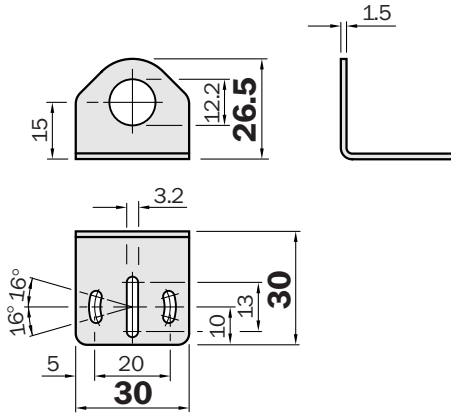




## Dimensional drawings and order information

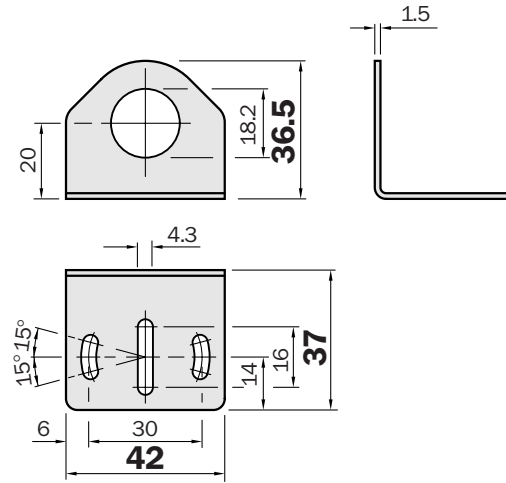
### Mounting bracket for V 12, IM 12, MM 12

Type	Order no.
BEF-WN-M12	5 308 447



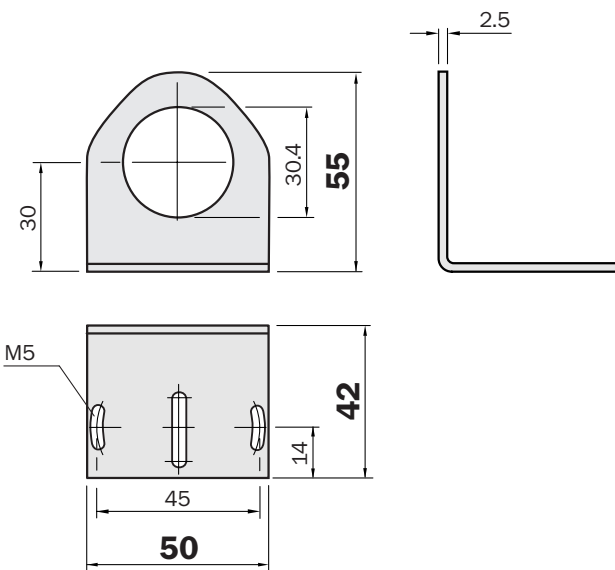
### Mounting bracket for V 18, IM 18, MM 18, CM 18

Type	Order no.
BEF-WN-M18	5 308 446



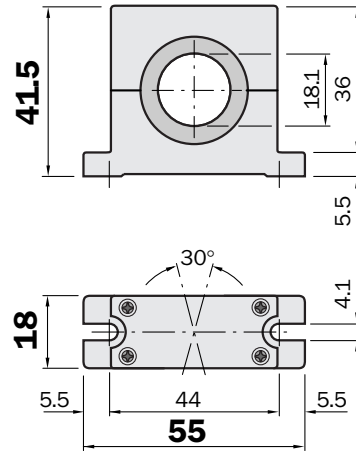
### Mounting bracket for IM 30, CM 30

Type	Order no.
BEF-WN-M30	5 308 445



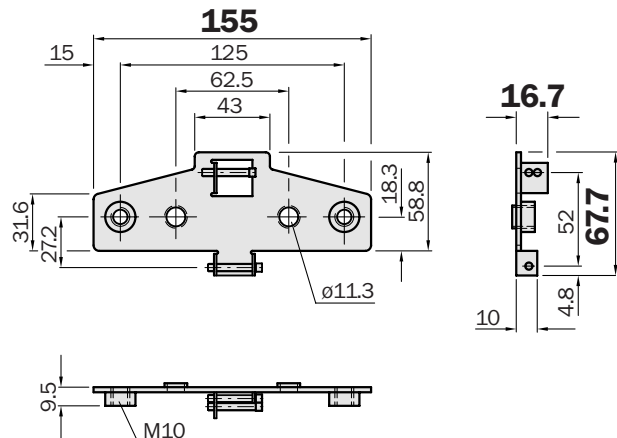
### Mounting bracket with ball-joint for V 18, IM 18, MM 18, CM 18

Type	Order no.
BEF-WN-M18-ST02	5 312 973



### Mounting bracket for WTR

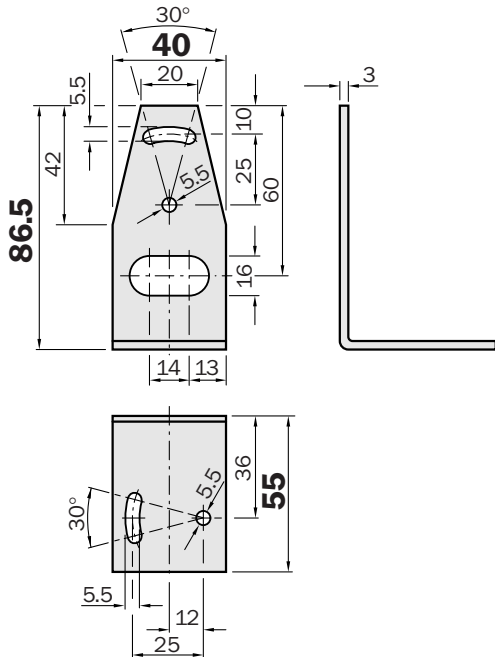
Type	Order no.
BEF-WN-WTR	2 017 417



Dimensional drawings and order information

Mounting bracket for WLG 12

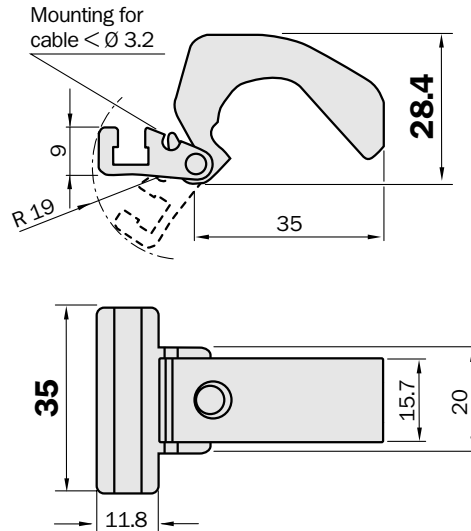
Type	Order no.
BEF-WN-WLG12	2 017 567



Mounting bracket for profile-/tie-rod cylinders

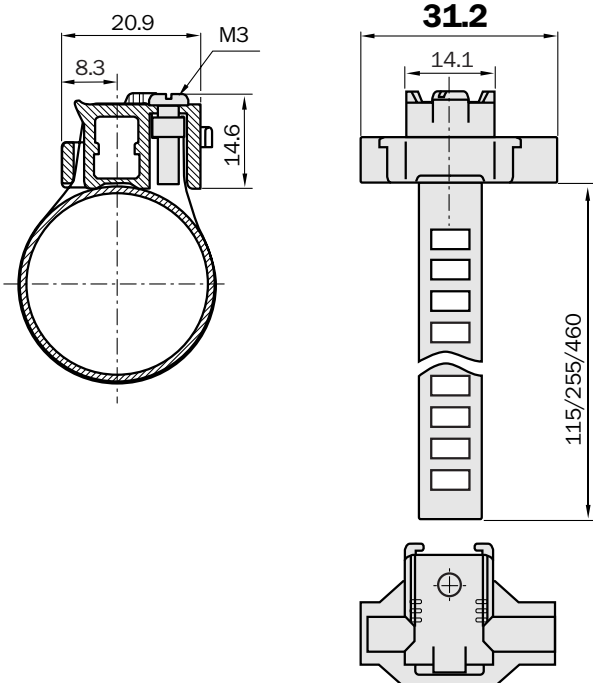
MZT 6/RZT 6, MZT 1/RZT 1

Type	Order no.
BEF-KHZ-PT1	2 022 702



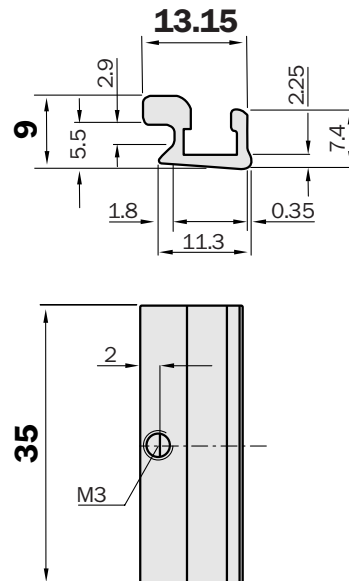
Mounting bracket for round body cylinder/piston diameters of 8 ... 25 mm for MZT 6/RZT 6, MZT 1/RZT 1

Type	Order no.
BEF-KHZ-RT1-25	5 311 171
BEF-KHZ-RT1-63	5 311 172



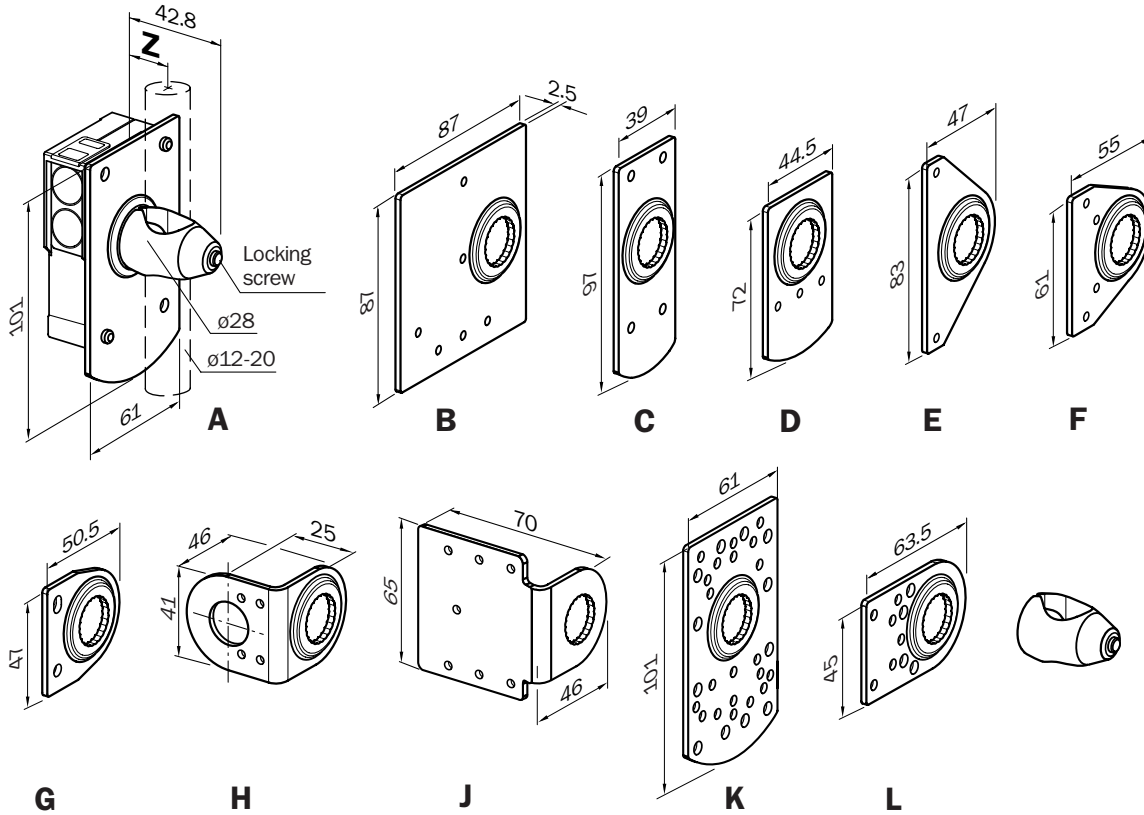
Mounting bracket for cylinders with a dovetail slot for MZT 6/RZT 6, MZT 1/RZT 1

Type	Order no.
BEF-KHZ-ST1	2 022 703



## Dimensional drawings and order information

### Universal bar clamps for sensors and reflectors



Distance Z	
Bar centre – inner plate surface	
Bar- $\phi$ in mm	Distance Z in mm
12	15.0
14	16.4
15	17.1
18	19.2
20	20.7

Mounting plates*	Type	Order no.**	for device/reflector type
A	BEF-KHS-A01	2 022 458	W 23-2, W 27-3
B	BEF-KHS-B01	2 022 459	P 250, P 250 F, PL 30 A, PL 40 A, PL 50 A, PL 80 A, C 110
C	BEF-KHS-C01	2 022 460	W 14-2, W 18-3
D	BEF-KHS-D01	2 022 461	W 11, W 12-2, W 12L-2, KT 2
E	BEF-KHS-E01	2 022 462	W 30, W 32, W 34, W 36
F	BEF-KHS-F01	2 022 463	PL 20 A, PL 20 F, P 250, P 250 F, W 260, W 280
G	BEF-KHS-G01	2 022 464	W 24-2, W 24 Exi, WTA 24, KT 5, KT 10, CS 1/3, LUT 3
H	BEF-KHS-H01	2 022 465	V 18, W 4-2, IM 18, MM 18, CM 18, UM 18
J	BEF-KHS-J01	2 022 719	PL 20 A, PL 20 F, PL 40 A, PL 50 A, P 250, P 250 F, C 110
K	BEF-KHS-K01	2 022 718	W 11, W 12-2, W 12L-2, W 14-2, W 18-3, W 23-2, W 24-2, W 27-3, W 30, W 32, W 34, KT 2, KT 5, KT 10, CS 1/3, LUT 3, DS 60, PL 20 A, PL 20 F, PL 30 A, PL 40 A, PL 50 A, PL 80 A, P 250, P 250 F, C 110, W 280
L	BEF-KHS-L01	2 023 057	W 9-2, KT 3, P 250, P 250 F, W 250, W 140-2, W 150, W 160
	BEF-KHS-KH1	2 022 726	Klemmhalter ohne Befestigungsplatte

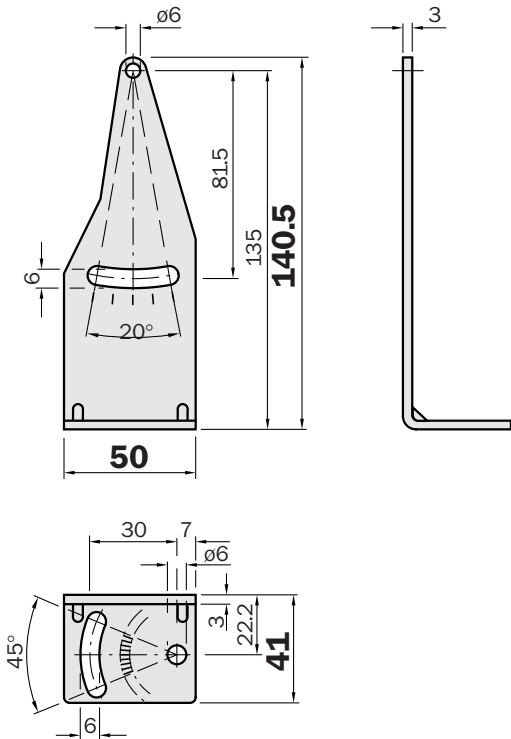
\* Further plates available on request

\*\* Order no. includes bar support and mounting material

Dimensional drawings and order information

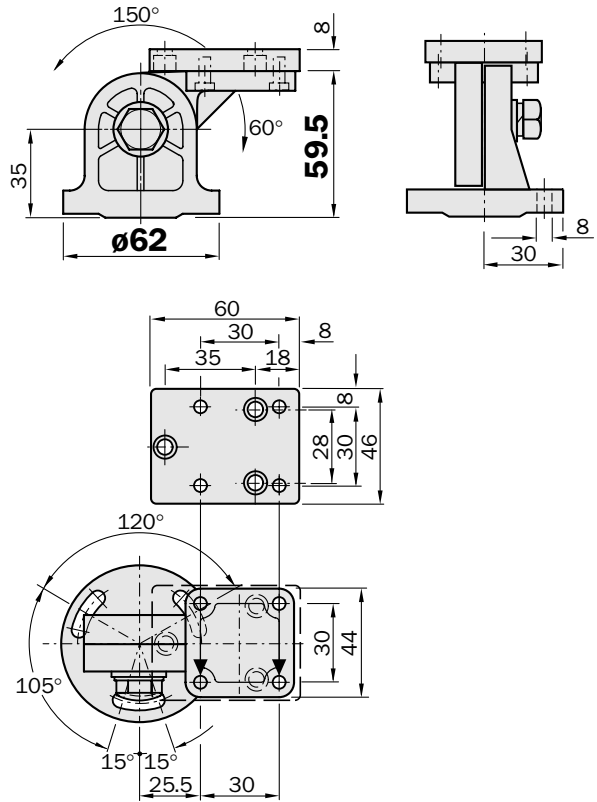
Mounting bracket for DS 60

Type	Order no.
BEF-WN-DS60	4 032 937



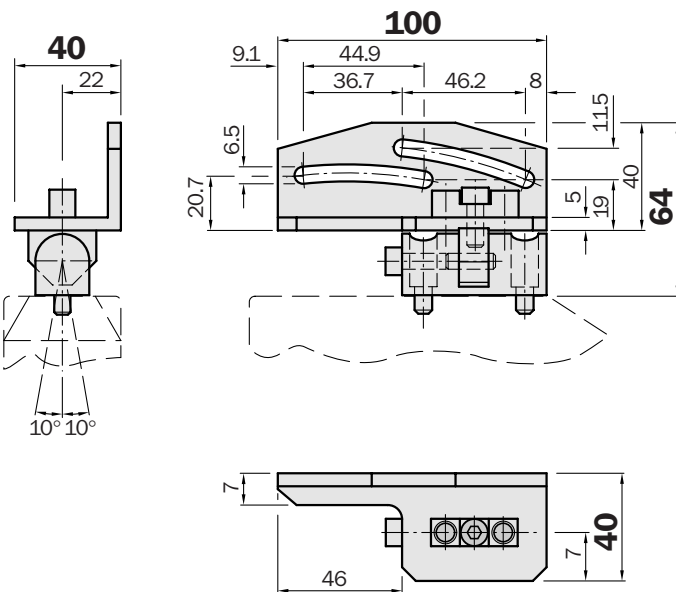
Articulated mounting for DME 2000/3000

Type	Order no.
BEF-GH-DME	2 015 229



Articulated mounting for DMH/DMP

Type	Order no.
BEF-GH-DMH2	2 020 796



Three-point mounting for ISD 230, 260, 280

Type	Order no.
BEF-KH-ISD	5 306 369

