

## Connectors

### Selection table for connector and cable

SENSICK round connector M8 x 1 mm, M12 x 1 mm, terminal screwed		
Description	Order no.	Type
Female connector M8, 3-pin, straight	7 902 077	DOS-0803-G
Female connector M8, 3-pin, angled	7 902 078	DOS-0803-W
Female connector, M8, 4-pin, straight	6 009 974	DOS-0804-G
Female connector, M8, 4-pin, angled	6 009 975	DOS-0804-W
Female connector, M12, 4-pin, straight	6 007 302	DOS-1204-G
Female connector, M12, 4-pin, angled	6 007 303	DOS-1204-W
Male connector, M12, 4-pin, straight (only in conjunction with round plug connectors)	6 009 932	STE-1204-G
Male connector, M12, 4-pin, angled (only in conjunction with round plug connectors)	6 022 084	STE-1204-W
Female connector, M12, 4-pin, straight, V4A-hexagon nut	6 028 357	DOS-1204-GN
Female connector, M12, 4-pin, angled, V4A-hexagon nut	6 028 358	DOS-1204-WN
Male connector, M12, 4-pin, straight, V4A-hexagon nut (only in conjunction with round plug connectors)	6 028 359	STE-1204-GN
Male connector, M12, 4-pin, straight, duo-junction, V4A-hexagon nut (only in conjunction with round plug connectors)	6 028 360	STE-1204-TN
Female connector, M12, 5-pin, straight	6 009 719	DOS-1205-G
Female connector, M12, 5-pin, angled	6 009 720	DOS-1205-W
SENSICK round connector M8 x 1 mm, M12 x 1 mm, PVC		
Description	Order no.	Type
Female connector, M8, 3-pin, straight, cable 2 m	6 010 785	DOL-0803-G02M
Female connector, M8, 3-pin, straight, cable 5 m	6 022 009	DOL-0803-G05M
Female connector, M8, 3-pin, straight, cable 10 m	6 022 011	DOL-0803-G10M
Female connector, M8, 3-pin, angled, cable 2 m	6 008 489	DOL-0803-W02M
Female connector, M8, 3-pin, angled, cable 5 m	6 022 010	DOL-0803-W05M
Female connector, M8, 3-pin, angled, cable 10 m	6 022 012	DOL-0803-W10M
Female connector, M8, 4-pin, straight, cable 2 m	6 009 870	DOL-0804-G02M
Female connector, M8, 4-pin, straight, cable 5 m	6 009 872	DOL-0804-G05M
Female connector, M8, 4-pin, straight, cable 10 m	6 010 754	DOL-0804-G10M
Female connector, M8, 4-pin, angled, cable 2 m	6 009 871	DOL-0804-W02M
Female connector, M8, 4-pin, angled, cable 5 m	6 009 873	DOL-0804-W05M
Female connector, M8, 4-pin, angled, cable 10 m	6 010 755	DOL-0804-W10M
Female connector, M12, 4-pin, straight, cable 2 m	6 009 882	DOL-1204-G02M
Female connector, M12, 4-pin, straight, cable 5 m	6 009 866	DOL-1204-G05M
Female connector, M12, 4-pin, straight, cable 10 m	6 010 543	DOL-1204-G10M
Female connector, M12, 4-pin, straight, cable 15 m	6 010 753	DOL-1204-G15M
Female connector, M12, 4-pin, angled, cable 2 m	6 009 883	DOL-1204-W02M
Female connector, M12, 4-pin, angled, cable 5 m	6 009 867	DOL-1204-W05M
Female connector, M12, 4-pin, angled, cable 10 m	6 010 541	DOL-1204-W10M
Female connector, M12, 4-pin, angled, cable 2 m, LED	6 027 945	DOL-1204-L02M
Female connector, M12, 4-pin, angled, cable 5 m, LED	6 027 944	DOL-1204-L05M
Female connector, M12, 4-pin, angled, cable 10 m, LED	6 027 946	DOL-1204-L10M
Female connector, M12, 5-pin, straight, cable 2 m	6 008 899	DOL-1205-G02M
Female connector, M12, 5-pin, straight, cable 5 m	6 009 868	DOL-1205-G05M
Female connector, M12, 5-pin, straight, cable 10 m	6 010 544	DOL-1205-G10M
Female connector, M12, 5-pin, angled, cable 2 m	6 008 900	DOL-1205-W02M
Female connector, M12, 5-pin, angled, cable 5 m	6 009 869	DOL-1205-W05M
Female connector, M12, 5-pin, angled, cable 10 m	6 010 542	DOL-1205-W10M
Female connector, M12, 5-pin, straight, cable 5 m, shielded, shield on PIN 5	6 010 474	DOL-1205-G05MX
SENSICK round connector M8 x 1 mm, M12 x 1 mm, PUR halogenfree		
Description	Order no..	Type
Female connector, M8, 3-pin, straight, cable 2 m	6 025 888	DOL-0803-G02MC
Female connector, M8, 3-pin, straight, cable 5 m	6 025 889	DOL-0803-G05MC
Female connector, M8, 3-pin, straight, cable 10 m	6 025 890	DOL-0803-G10MC
Female connector, M8, 3-pin, angled, cable 2 m	6 025 891	DOL-0803-W02MC
Female connector, M8, 3-pin, angled, cable 5 m	6 025 892	DOL-0803-W05MC
Female connector, M8, 3-pin, angled, cable 10 m	6 025 893	DOL-0803-W10MC
Female connector, M8, 4-pin, straight, cable 2 m	6 025 894	DOL-0804-G02MC
Female connector, M8, 4-pin, straight, cable 5 m	6 025 895	DOL-0804-G05MC
Female connector, M8, 4-pin, straight, cable 10 m	6 025 896	DOL-0804-G10MC
Female connector, M8, 4-pin, angled, cable 2 m	6 025 897	DOL-0804-W02MC
Female connector, M8, 4-pin, angled, cable 5 m	6 025 898	DOL-0804-W05MC
Female connector, M8, 4-pin, angled, cable 10 m	6 025 899	DOL-0804-W10MC
Female connector, M12, 4-pin, straight, cable 2 m	6 025 900	DOL-1204-G02MC
Female connector, M12, 4-pin, straight, cable 5 m	6 025 901	DOL-1204-G05MC
Female connector, M12, 4-pin, straight, cable 10 m	6 025 902	DOL-1204-G10MC
Female connector, M12, 4-pin, angled, cable 2 m	6 025 903	DOL-1204-W02MC
Female connector, M12, 4-pin, angled, cable 5 m	6 025 904	DOL-1204-W05MC
Female connector, M12, 4-pin, angled, cable 10 m	6 025 905	DOL-1204-W10MC
Male connector, M12, 4-pin, straight, cable 2 m	6 028 077	STL-1204-G02MC
Female connector, M12, 5-pin, straight, cable 2 m	6 025 906	DOL-1205-G02MC
Female connector, M12, 5-pin, straight, cable 5 m	6 025 907	DOL-1205-G05MC
Female connector, M12, 5-pin, straight, cable 10 m	6 025 908	DOL-1205-G10MC
Female connector, M12, 5-pin, angled, cable 2 m	6 025 909	DOL-1205-W02MC
Female connector, M12, 5-pin, angled, cable 5 m	6 025 910	DOL-1205-W05MC
Female connector, M12, 5-pin, angled, cable 10 m	6 025 911	DOL-1205-W10MC







## Connectors

### Selection table for connector and cable

<b>SENSICK round connector M12 x 1 mm, 8-pin, shielded</b>		
Description	Order no.	Type
Female connector, M12, straight, terminal screwed	6 028 422	DOS-1208-G
Female connector, M12, straight, 360° shield on locking nut, terminal screwed	6 028 369	DOS-1208-GA
Male connector, M12, straight, 360° shield on locking nut, terminal screwed	6 028 370	STE-1208-GA
Female connector, M12, straight, cable 2 m, PVC, 360° shield on locking nut	6 020 633	DOL-1208-G02MA
Female connector, M12, straight, cable 5 m, PVC, 360° shield on locking nut	6 020 993	DOL-1208-G05MA
Female connector, M12, straight, cable 10 m, PVC, 360° shield on locking nut	6 022 152	DOL-1208-G10MA
Female connector, M12, straight, cable 15 m, PVC, 360° shield on locking nut	6 022 153	DOL-1208-G15MA
Female connector, M12, angled, cable 2 m, PVC, shield on locking nut	6 020 992	DOL-1208-W02MA
Female connector, M12, angled, cable 5 m, PVC, shield on locking nut	6 021 033	DOL-1208-W05MA
Female connector, M12, straight, cable 2 m (7 Adern), PUR, shield on PIN 8	6 010 748	DOL-1208-G02MB
Female connector, M12, straight, cable 2 m, PVC, 360° shield on locking nut, spec. colourcode	6 020 663	DOL-1208-G02MF
Female connector, M12, straight, cable 5 m, PVC, 360° shield on locking nut, spec. colourcode	6 020 664	DOL-1208-G05MF
Extension cable 1 m, female connector: M12, 8-pin, straight, male connector: M12, 8-pin, straight, PVC, 360° shield on locking nut	6 026 625	DSL-1208-G01MA

<b>SENSICK T-junction, M12, 4-, 8-pin</b>		
Description	Order no.	Type
T-junction with cable 0,3 m, female connector/male connector M12, 4-pin, (power supply and signal interrogation)	6 011 682	DSL-1204-TOM3
T-junction with cable 0,3 m, female connector/male connector M12, 4-pin, (power supply, signal interrogation and logic interrupt)	6 011 683	DSL-1104-TOM3
T-junction male connector M12, 8-pin, on 2 x female connector M12, 8-pin	6 026 503	SBO-02F12-SF

<b>SENSICK round connector, DIN 43651, 6-pin + PE</b>		
Description	Order no.	Type
Female connector, straight, terminal screwed	6 006 612	DOS-0606-G
Female connector, angled, terminal screwed	6 006 613	DOS-0606-W

<b>SENSICK round connector, IEC 130-9, M16 x 0.75 mm, 12-pin</b>		
Description	Order no.	Type
Female connector, M16, straight, terminal screwed	6 007 092	DOS-1612-G
Female connector, M16, angled, terminal screwed	6 007 988	DOS-1612-W
Female connector, order no. 6 007 092, cable 5 m, PVC	2 013 353	DOL-1612-5M-2
Female connector, order no. 6 007 092, cable 5 m, shielded, PVC	2 017 568	DOL-1612-5M-3

<b>SENSICK round connector, M16 x 0.75 mm, 8-pin, Profibus, SSI and RS 422</b>		
Description	Order no.	Type
Female connector, M16, straight, shielded, terminal screwed	6 025 726	DOS-1608-GA
Female connector, M16, angled, shielded, terminal screwed	6 025 727	DOS-1608-WA
Female connector, order no. 6 025 726, cable 5 m, PVC, shielded	2 026 742	DOL-1608-G05MA
Female connector, order no. 6 025 726, cable 10 m, PVC, shielded	2 027 193	DOL-1608-G10MA
Female connector, order no. 6 025 727, cable 5 m, PVC, shielded	2 026 743	DOL-1608-W05MA
Female connector, order no. 6 025 727, cable 10 m, PVC, shielded	2 027 194	DOL-1608-W10MA

<b>SENSICK Profibus-connector for DME</b>		
Description	Order no.	Type
Profibus-receptacle adapter (extension cable) with connector (female connector M16, male/female connector M12), cable 0.2 m	2 021 463	PR-ADPT-DME
Profibus-terminal resistor, male connector, M12, 4-pin, straight, B-coding	6 021 156	PR-STE-END
Profibus-female connector, M12, 5-pin, straight, shielded, B-coding	6 021 353	PR-DOS-1205-G
Profibus-male connector, M12, 5-pin, straight, shielded, B-coding	6 021 354	PR-STE-1205-G
Profibus-female connector, M12, 5-pin, straight, shielded, B-coding, with Profibus cable 5 m	6 026 006	DOL-12PR-G05M
Profibus-female connector, M12, 5-pin, straight, shielded, B-coding, with Profibus cable 10 m	6 026 008	DOL-12PR-G10M
Profibus-male connector, M12, 5-pin, straight, shielded, B-coding, with Profibus cable 5 m	6 026 005	STL-12PR-G05M
Profibus-male connector, M12, 5-pin, straight, geschirmt, B-coding, with Profibus cable 10 m	6 026 007	STL-12PR-G10M

<b>SENSICK DeviceNet-connector for DME 5000</b>		
Description	Order no.	Type
Female connector, M12, 5-pin, straight, shielded, 360° shield on locking nut, terminal screwed	6 027 534	DOS-1205-GA
Male connector, M12, 5-pin, straight, shielded, 360° shield on locking nut, terminal screwed	6 027 533	STE-1205-GA
DeviceNet-female connector, M12, 5-pin, straight, cable 6 m, dropcable	6 028 326	DOL-1205-G06MK
DeviceNet-extension cable 6 m, female connector M12, 5-pin, straight, male connector M12, 5-pin, straight, dropcable	6 028 327	DSL-1205-G06MK
DeviceNet-T-junction female connector M12, 5-pin, male/female connector 7/8", 5-pin	6 028 330	SDO-02D78-SF
DeviceNet-terminal resistor, female connector 7/8", 5-pin, straight	6 028 329	DOS-7805-GKEND
DeviceNet-female connector, 7/8" 5-pin, straight, PG16, terminal screwed	6 028 331	DOS-7805-GK
DeviceNet-male connector, 7/8" 5-pin, straight, PG16, terminal screwed	6 028 332	STE-7805-GK





## Connectors

### Selection table for connector and cable

SENSICK round connector M18 x 1 mm, 4-pin Description	Order no.	Type
Female connector, M18, straight, terminal screwed	6 009 436	DOS-1804-G
Female connector, M18, angled, terminal screwed	6 009 437	DOS-1804-W

SENSICK round connector R16 (M24), 6-pin + PE Description	Order no.	Type
Male connector, straight, terminal screwed	6 004 193	STE-2606-G
Female connector, straight, terminal screwed	6 004 194	DOS-2606-G

SENSICK rectangular connector, DIN 43650, type A, 3-pin + PE Description	Order no.	Type
Female connector, angled, terminal screwed	6 005 698	DOS-0303-W

SENSICK rectangular connector, DIN 43652, 7-pin + PE Description	Order no.	Type
Female connector, angled, terminal screwed	2 007 901	DOS-2707-W
Female connector, order no. 2 007 901 with cable 2 m, PVC	2 006 545	DOL-2706-02M
Female connector, order no. 2 007 901 with cable 6 m, PVC	2 006 860	DOL-2706-06M
Female connector, order no. 2 007 901 with cable 10 m, PVC	2 007 595	DOL-2706-10M

SENSICK rectangular connector Q6, 6-pin, DC-coding Description	Order no.	Type
Female connector, angled, terminal screwed	6 006 710	DOS-1306-W
Female connector, order no. 6 006 710 with cable 2 m, PVC	2 009 477	DOL-1306-02M
Female connector, order no. 6 006 710 with cable 3 m, PVC	2 009 478	DOL-1306-03M
Female connector, order no. 6 006 710 with cable 5.5 m, PVC	2 009 479	DOL-1306-05M5
Female connector, order no. 6 006 710 with cable 10 m, PVC	2 009 480	DOL-1306-10M

SENSICK rectangular connector Q6, 6-pin, AC-/UC-coding Description	Order no.	Type
Female connector, angled, terminal screwed	6 006 685	DOS-1406-W
Female connector, order no. 6 006 685 with cable 2 m, PVC	2 009 116	DOL-1406-02M
Female connector, order no. 6 006 685 with cable 3 m, PVC	2 009 117	DOL-1406-03M
Female connector, order no. 6 006 685 with cable 5.5 m, PVC	2 009 118	DOL-1406-05M5
Female connector, order no. 6 006 685 with cable 10 m, PVC	2 009 119	DOL-1406-10M

SENSICK rectangular connector Q7, 7-pin, DC-coding Description	Order no.	Type
Female connector, angled, terminal screwed	6 006 823	DOS-2107-W

SENSICK rectangular connector Q7, 7-pin, AC-coding Description	Order no.	Type
Female connector, angled, terminal screwed	6 006 821	DOS-2207-W

SENSICK cable for parameterise (MLG), M8 x 1 mm, SUB D9 Description	Order no.	Type
Extension cable 2 m, female connector: M8, 4-pin, straight	2 023 695	DSL-8D04-G02M

SENSICK special connector for WLL 190 T Description	Order no.	Type
Cable 2 m, (Master, 3 active pins)	6 026 578	DOL-LL1903-02M
Cable 5 m, (Master, 3 active pins)	6 028 379	DOL-LL1903-05M
Cable 2 m, (Slave, 1 active pin)	6 026 579	DOL-LL1901-02M
Cable 5 m, (Slave, 1 active pin)	6 028 380	DOL-LL1901-05M





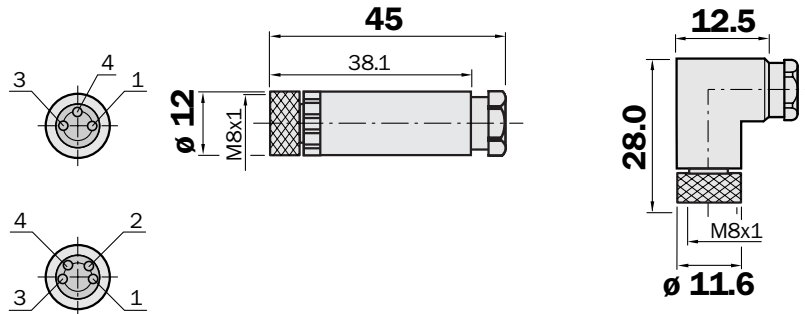
**M8, M12  
terminal screwed**

Round connectors

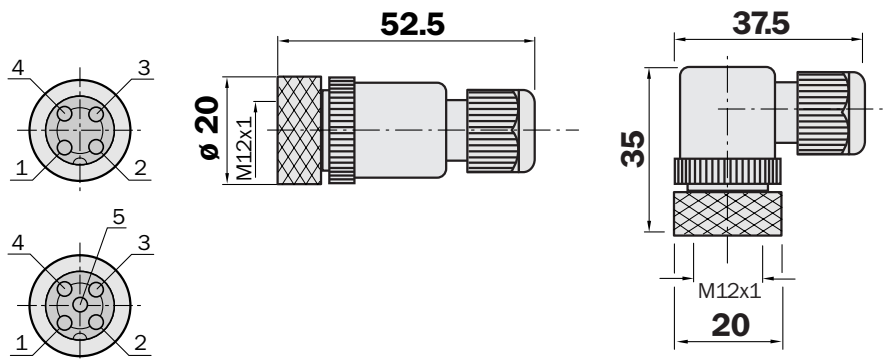
- Terminal screwed
- Enclosure rating IP 67  
(only in fully locked position with its plugs)
- Good resistance to oil and chemicals
- Housing material PA
- Locking nut V4A  
(only DOS-...N, STE-...N)

Dimensional drawings

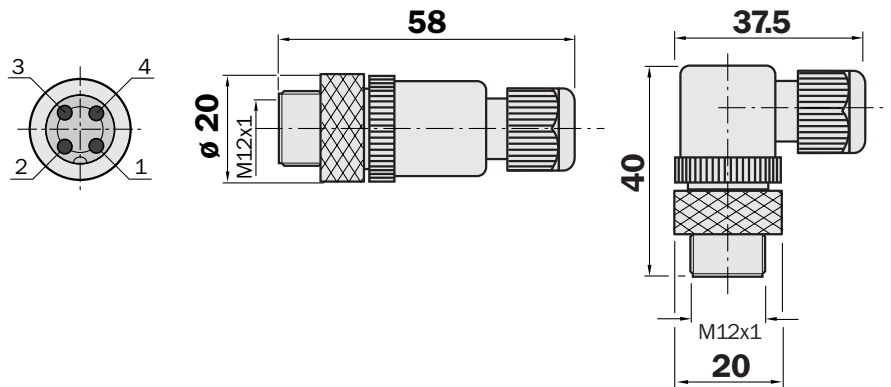
DOS-08...



DOS-12...



STE-1204...



(Except M8-connectors)

## Technical data

<b>Nominal voltage U<sub>b</sub></b>	60 V AC/75 V DC (M8-connector)
	125 V AC/150 V DC (M12 4-pin-connector)
	30 V AC/36 V DC (M12, 5-pin-connector)
<b>Nominal power</b>	4 A
<b>Testvoltage</b>	1.5 kV eff./60 s. (M8-connector)
	1.25 kV eff./60 s. (M12, 4-pin-connector)
	1.0 kV eff./60 s. (M12, 5-pin-connector)
<b>Insulation group</b>	C acc. VDE 0110
<b>Insulation resistance</b>	> 10 <sup>9</sup> Ω
<b>Max. wire section</b>	Max. 0.5 mm <sup>2</sup> (M8-connector)
	Max. 0.75 mm <sup>2</sup> (M12-connector)
<b>Temperature range</b>	-25 °C ... +90 °C
<b>Enclosure rating</b>	IP 67 <sup>1)</sup>
<b>Locking nut</b>	CuZn, brass nickeled
	V4A (1.4404) (DOS-12...N, STE-12...N)
<b>Housing</b>	PA, black (self-extinguishing)

<sup>1)</sup> Only in fully locked position with its plugs

## Order information

## Round connectors M8 terminal screwed

Type	Order no.	Description	Contacts	Locking nut	Cable Ø [mm]
DOS-0803-G	7 902 077	Female connector straight	3	CuZn	3.5 ... 5.0
DOS-0803-W	7 902 078	Female connector angled	3	CuZn	3.5 ... 5.0
DOS-0804-G	6 009 974	Female connector straight	4	CuZn	3.5 ... 5.0
DOS-0804-W	6 009 975	Female connector angled	4	CuZn	3.5 ... 5.0

## Round connectors M12 terminal screwed

Type	Order no.	Description	Contacts	Locking nut	Cable Ø [mm]
DOS-1204-G	6 007 302	Female connector straight	4	CuZn	3 ... 6.5
DOS-1204-W	6 007 303	Female connector angled	4	CuZn	3 ... 6.5
STE-1204-G	6 009 932	Male connector straight	4	CuZn	3 ... 6.5
STE-1204-W	6 022 084	Male connector angled	4	CuZn	3 ... 6.5
DOS-1204-GN	6 028 357	Female connector straight	4	V4A	3 ... 6.5
DOS-1204-WN	6 028 358	Female connector angled	4	V4A	3 ... 6.5
STE-1204-GN	6 028 359	Male connector straight	4	V4A	3 ... 6.5
STE-1204-TN	6 028 360	Duo-male connector straight	4	V4A	3 ... 6.5 (2 x)
DOS-1205-G	6 009 719	Female connector straight	5	CuZn	3 ... 6.5
DOS-1205-W	6 009 720	Female connector angled	5	CuZn	3 ... 6.5

## Connecting cables PVC

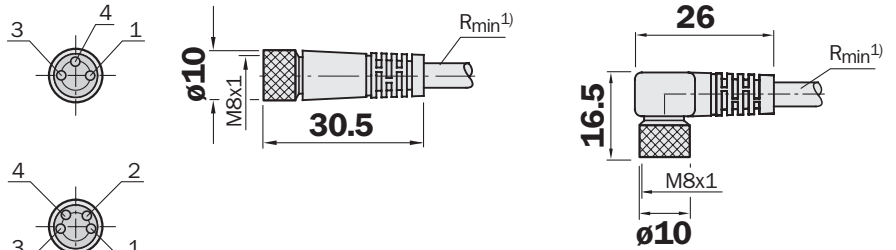
### Round connectors

- Gold plated pins
- Self locking threaded
- Conditional resistance to chemicals and oils
- Especially suitable for use in assembly, packaging and production lines
- Enclosure rating IP 68 (M12)/IP 67 (M8) (only in fully locked position with its plugs)

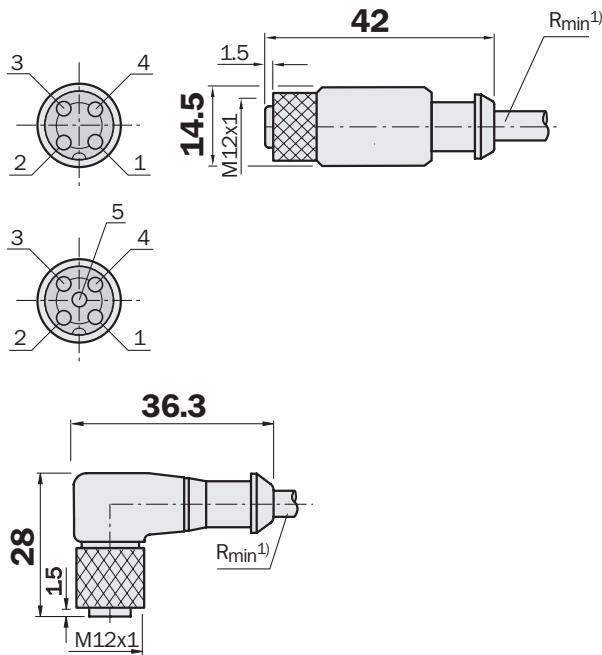


### Dimensional drawings

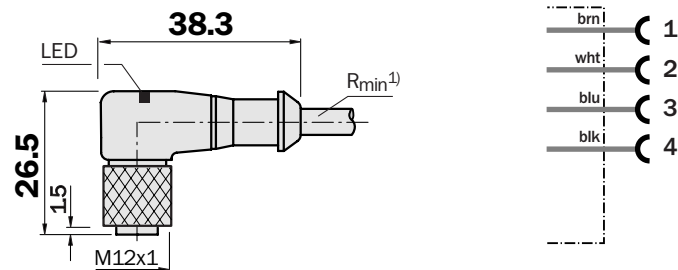
#### DOL-08...



#### DOL-12...



#### DOL-1204-L...



Contacts	Wire colour
1	brown
2	white
3	blue
4	black
5	grey

1) Minimum bend radius in dynamic use  
 $R_{min} = 20 \times \text{cable diameter}$



(for M8-connector in preparation)

## Technical data

<b>Nominal voltage U<sub>b</sub></b>	60 V AC/75 V DC (M8-connector)
	250 V AC/300 V DC (M12, 4-pin-connector)
	30 V AC/36 V DC (M12, 5-pin-connector)
	10 ... 30 V DC (M12, LED-indicator)
<b>Contact resistance</b>	≤ 5 mΩ
<b>Nominal power</b>	4 A (CSA = 3 A)
<b>Testvoltage</b>	2.0 kV eff./60 s. (M12, 4-pin-connector)
	1.5 kV eff./60 s. (M8-connector and M12, 5-pin)
<b>Insulation group</b>	C acc. VDE 0110
<b>Insulation resistance</b>	> 10 <sup>9</sup> Ω
<b>Temperature range</b>	In fixed position            -40 °C ... +80 °C
	In flexible motion            +5 °C ... +80 °C
<b>Bending radius</b>	> 10 x diameter of cable (in flexible motion)
	5 x diameter of cable (in fixed position)
<b>Contact</b>	CuZn, 0.3 μm gold plated
<b>Locking nut</b>	CuZn, brass nickeled
<b>Cable</b>	PVC, colour orange
<b>Conductor diameter</b>	3 x 0.34 mm <sup>2</sup>
	4 x 0.25 mm <sup>2</sup>
	5 x 0.5 mm <sup>2</sup>
<b>Connector</b>	TPU, colour orange

## Order information

## Round connectors M8 connecting cable, PVC

Type	Order no.	Description	Contacts	Cable length [m]
DOL-0803-G02M	6 010 785	Female connector straight	3	2
DOL-0803-G05M	6 022 009	Female connector straight	3	5
DOL-0803-G10M	6 022 011	Female connector straight	3	10
DOL-0803-W02M	6 008 489	Female connector angled	3	2
DOL-0803-W05M	6 022 010	Female connector angled	3	5
DOL-0803-W10M	6 022 012	Female connector angled	3	10
DOL-0804-G02M	6 009 870	Female connector straight	4	2
DOL-0804-G05M	6 009 872	Female connector straight	4	5
DOL-0804-G10M	6 010 754	Female connector straight	4	10
DOL-0804-W02M	6 009 871	Female connector angled	4	2
DOL-0804-W05M	6 009 873	Female connector angled	4	5
DOL-0804-W10M	6 010 755	Female connector angled	4	10

## Round connectors M12 connecting cable, PVC

Type	Order no.	Description	Contacts	Cable length [m]
DOL-1204-G02M	6 009 382	Female connector straight	4	2
DOL-1204-G05M	6 009 866	Female connector straight	4	5
DOL-1204-G10M	6 010 543	Female connector straight	4	10
DOL-1204-G15M	6 010 753	Female connector straight	4	15
DOL-1204-W02M	6 009 383	Female connector angled	4	2
DOL-1204-W05M	6 009 867	Female connector angled	4	5
DOL-1204-W10M	6 010 541	Female connector angled	4	10
DOL-1204-L02M	6 027 945	Female connector angled LED (PNP)	4	2
DOL-1204-L05M	6 027 944	Female connector angled LED (PNP)	4	5
DOL-1204-L10M	6 027 946	Female connector angled LED (PNP)	4	10
DOL-1205-G02M	6 008 899	Female connector straight	5	2
DOL-1205-G05M	6 009 868	Female connector straight	5	5
DOL-1205-G10M	6 010 544	Female connector straight	5	10
DOL-1205-W02M	6 008 900	Female connector angled	5	2
DOL-1205-W05M	6 009 869	Female connector angled	5	5
DOL-1205-W10M	6 010 542	Female connector angled	5	10
DOL-1205-G05MX	6 010 474	Female connector straight (shielded PIN 5)	5	5

## Connecting cables PUR halogenfree

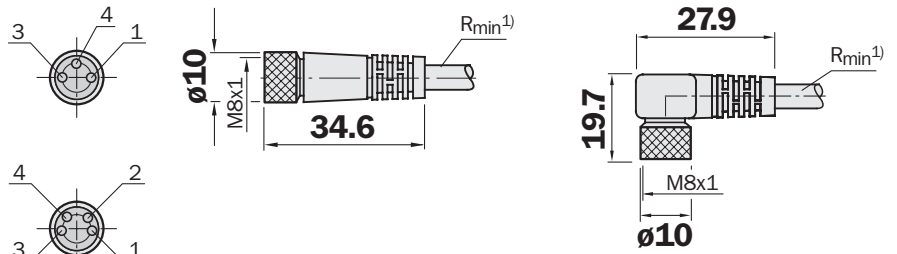
### Round connectors

- Gold plated pins
- Halogenfree, PVC-free, silicone-free-cable
- Flame-retardant IEC 332-2
- Resisting to coolants and lubricants
- Suitable for use with drag chains
- Resistant against hydrolysis
- Enclosure rating IP 67 (M8)/IP 68 (M12) (only in fully locked position with its plugs)

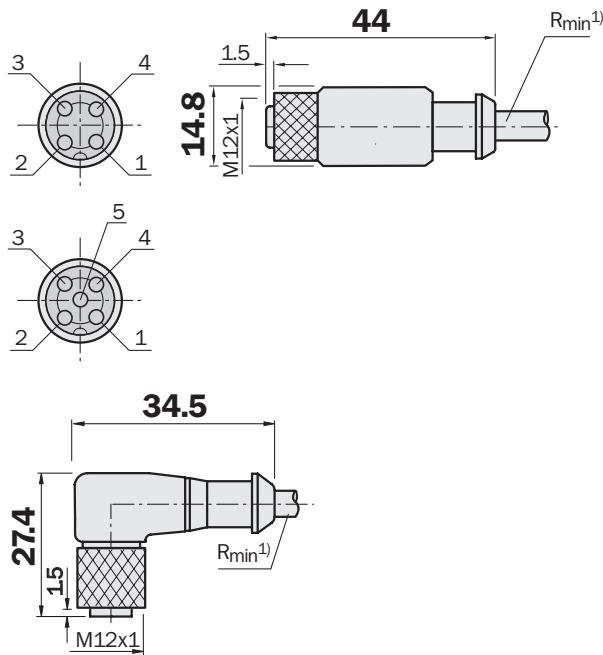


### Dimensional drawings

#### DOL-08...



#### DOL-12...



Contacts	Wire colour
1	brown
2	white
3	blue
4	black
5	grey

1) Minimum bend radius in dynamic use  
 $R_{min} = 20 \times \text{cable diameter}$



## Technical data

<b>Nominal voltage U<sub>b</sub></b>	60 V AC/75 V DC (M8-connector)
	250 V AC/300 V DC (M12, 4-pin-connector)
	30 V AC/36 V DC (M12, 5-pin-connector)
<b>Contact resistance</b>	≤ 5 mΩ
<b>Nominal power</b>	4 A (CSA = 3 A)
<b>Insulation group</b>	C acc. VDE0110
<b>Insulation resistance</b>	> 10 <sup>9</sup> Ω
<b>Temperature range</b>	In fixed position            -50 °C ... +80 °C
	In flexible motion            -25 °C ... +80 °C
<b>Bending radius</b>	> 10 x diameter of cable
<b>Guaranteed bending cycles</b>	≤ 2 million (at bend radius r = 60 mm)
<b>Max. allowed speed up</b>	8.6 m/sec <sup>2</sup>
<b>Max. speed</b>	90 m/min (for 2 m horizontal path)
<b>Contact</b>	CuZn, gold plated
<b>Cable</b>	Colour black, PUR halogenfree
<b>Conductor diameter</b>	3 x 0.25 mm <sup>2</sup> (M8)
	4 x 0.25 mm <sup>2</sup> (M8), 4 x 0.34 mm <sup>2</sup> (M12)
	5 x 0.34 mm <sup>2</sup>
<b>Connector</b>	Colour black, TPU

## Order information

## Round connectors M8 connecting cable PUR halogenfree

Type	Order no.	Description	Contacts	Cable length [m]
DOL-0803-G02MC	6 025 888	Female connector    straight	3	2
DOL-0803-G05MC	6 025 889	Female connector    straight	3	5
DOL-0803-G10MC	6 025 890	Female connector    straight	3	10
DOL-0803-W02MC	6 025 891	Female connector    angled	3	2
DOL-0803-W05MC	6 025 892	Female connector    angled	3	5
DOL-0803-W10MC	6 025 893	Female connector    angled	3	10
DOL-0804-G02MC	6 025 894	Female connector    straight	4	2
DOL-0804-G05MC	6 025 895	Female connector    straight	4	5
DOL-0804-G10MC	6 025 896	Female connector    straight	4	10
DOL-0804-W02MC	6 025 897	Female connector    angled	4	2
DOL-0804-W05MC	6 025 898	Female connector    angled	4	5
DOL-0804-W10MC	6 025 899	Female connector    angled	4	10

## Round connectors M12 connecting cable PUR halogenfree

Type	Order no.	Description	Contacts	Cable length [m]
DOL-1204-G02MC	6 025 900	Female connector    straight	4	2
DOL-1204-G05MC	6 025 901	Female connector    straight	4	5
DOL-1204-G10MC	6 025 902	Female connector    straight	4	10
DOL-1204-W02MC	6 025 903	Female connector    angled	4	2
DOL-1204-W05MC	6 025 904	Female connector    angled	4	5
DOL-1204-W10MC	6 025 905	Female connector    angled	4	10
STL-1204-G02MC	6 028 077	Male connector      straight	4	2
DOL-1205-G02MC	6 025 906	Female connector    straight	5	2
DOL-1205-G05MC	6 025 907	Female connector    straight	5	5
DOL-1205-G10MC	6 025 908	Female connector    straight	5	10
DOL-1205-W02MC	6 025 909	Female connector    angled	5	2
DOL-1205-W05MC	6 025 910	Female connector    angled	5	5
DOL-1205-W10MC	6 025 911	Female connector    angled	5	10

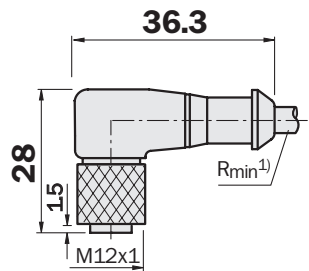
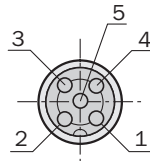
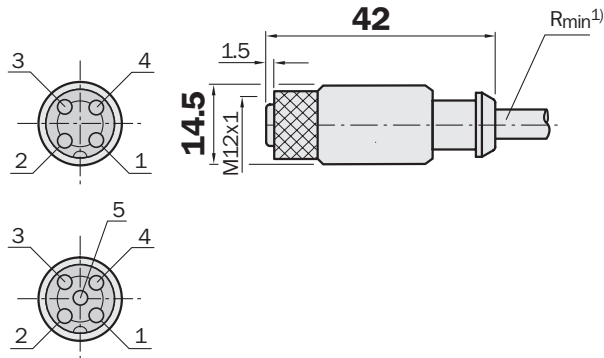
## Connecting cables “Food & Beverage”

### Round connectors

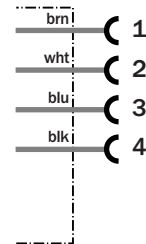
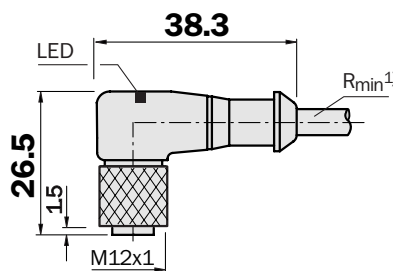
- Especially suitable for use in the “Food & Beverage”-branch
- Gold plated pins
- Improved resistance to chemicals, acids and cleaning agent
- Enclosure rating IP 69K (only in fully locked position with its plugs)
- Stainless steel locking nut (V4A)

### Dimensional drawings

#### DOL-12...



#### DOL-1204-L...



Contacts	Wire colour
1	brown
2	white
3	blue
4	black
5	grey



1) Minimum bend radius in dynamic use  
 $R_{min} = 20 \times \text{cable diameter}$



## Technical data

<b>Nominal voltage U<sub>b</sub></b>	250 V AC/300 V DC (M12, 4-pin-connector)
	30 V AC/36 V DC (M12, 5-pin-connector)
	10 ... 30 V DC (M12, LED-indicator)
<b>Contact resistance</b>	≤ 5 mΩ
<b>Nominal power</b>	4 A (CSA = 3 A)
<b>Testvoltage</b>	2.0 kV eff./60 s. (4-pin)
	1.5 kV eff./60 s. (5-pin)
<b>Insulation group</b>	C acc. VDE 0110
<b>Insulation resistance</b>	> 10 <sup>9</sup> Ω
<b>Temperature range</b>	In fixed position                    -25 °C ... +90 °C
	In flexible motion                    +5 °C ... +90 °C
<b>Bending radius</b>	> 10 x diameter of cable
<b>Contact</b>	CuZn, 0.3 μm gold plated
<b>Locking nut</b>	Stainless steel V4A
<b>Cable</b>	PVC, colour orange
<b>Conductor diameter</b>	4 x 0.25 mm <sup>2</sup>
	5 x 0.5 mm <sup>2</sup>
<b>Connector</b>	PVC, colour orange

## Order information

## Round connectors M12 connecting cable "Food &amp; Beverage"

Type	Order no.	Description	Contacts	Cable length [m]
DOL-1204-G02MN	6 028 128	Female connector    straight	4	2
DOL-1204-G05MN	6 028 130	Female connector    straight	4	5
DOL-1204-G10MN	6 028 132	Female connector    straight	4	10
DOL-1204-G25MN	6 028 134	Female connector    straight	4	25
DOL-1204-W02MN	6 028 129	Female connector    angled	4	2
DOL-1204-W05MN	6 028 131	Female connector    angled	4	5
DOL-1204-W10MN	6 028 133	Female connector    angled	4	10
DOL-1204-W25MN	6 028 135	Female connector    angled	4	25
DOL-1204-L02MN	6 028 136	Female connector    angled LED (PNP)	4	2
DOL-1204-L05MN	6 028 137	Female connector    angled LED (PNP)	4	5
DOL-1204-L10MN	6 028 138	Female connector    angled LED (PNP)	4	10
DOL-1204-L25MN	6 028 139	Female connector    angled LED (PNP)	4	25
DOL-1205-G02MN	6 028 140	Female connector    straight	5	2
DOL-1205-G05MN	6 028 141	Female connector    straight	5	5
DOL-1205-G10MN	6 028 142	Female connector    straight	5	10
DOL-1205-G25MN	6 028 143	Female connector    straight	5	25

**Extension cable  
PVC**

**Round connectors**

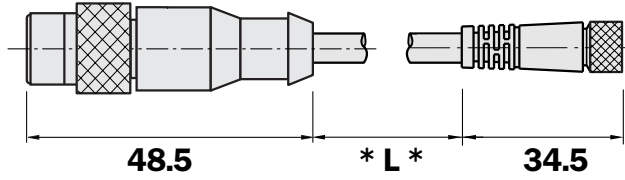
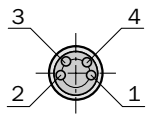
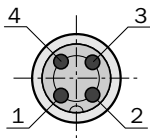
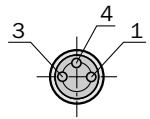
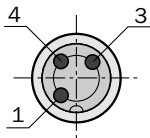
- Gold plated pins
- Self locking threaded
- Conditional resistance to chemicals and oils
- Especially suitable for use in assembly, packaging and production lines
- Enclosure rating IP 68 (M12)/IP 67 (M8) (only in fully locked position with its plugs)



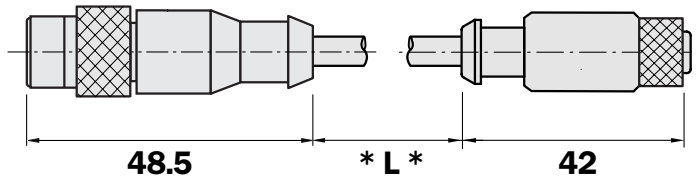
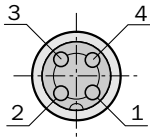
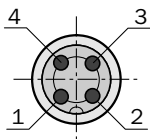
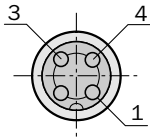
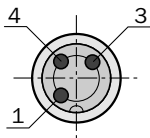
(for M8-connector in preparation)

**Dimensional drawings**

**DSL-82...**



**DSL-12...**



## Technical data

<b>Nominal voltage U<sub>b</sub></b>	60 V AC/75 V DC (M8-connector) 250 V AC/300 V DC (M12-connector)
<b>Contact resistance</b>	≤ 5 mΩ
<b>Nominal power</b>	4 A (CSA = 3 A)
<b>Testvoltage</b>	2.0 kV eff./60 s. (M12-connector) 1.5 kV eff./60 s. (M8-connector)
<b>Insulation group</b>	C acc. VDE 0110
<b>Insulation resistance</b>	> 10 <sup>9</sup> Ω
<b>Temperature range</b>	In fixed position            -40 °C ... +80 °C In flexible motion           +5 °C ... +80 °C
<b>Bending radius</b>	> 10 x diameter of cable (in flexible motion) 5 x diameter of cable (in fixed position)
<b>Contact</b>	CuZn, 0.3 μm gold plated
<b>Locking nut</b>	CuZn, brass nickeled
<b>Cable</b>	PVC, colour orange
<b>Conductor diameter</b>	3 x 0.34 mm <sup>2</sup> 4 x 0.25 mm <sup>2</sup>
<b>Connector</b>	TPU, colour orange

## Order information

## Round connectors, extension cable PVC, female connector M8 (straight), male connector M12 (straight)

Type	Order no.	Contacts Female connector	Contacts Male connector	Cable length [m]
DSL-8203-G0M6	6 022 570	3	3	0.6
DSL-8203-G02M	6 022 572	3	3	2
DSL-8204-G0M6	6 022 571	4	4	0.6
DSL-8204-G02M	6 022 573	4	4	2

## Round connectors M12, extension cable PVC, female connector M12 (straight), male connector M12 (straight)

Type	Order no.	Contacts Female connector	Contacts Male connector	Cable length [m]
DSL-1203-G0M6	6 022 564	4 (3 connected)	3	0.6
DSL-1203-G02M	6 022 566	4 (3 connected)	3	2
DSL-1203-G05M	6 022 568	4 (3 connected)	3	5
DSL-1204-G0M6	6 022 565	4	4	0.6
DSL-1204-G02M	6 022 567	4	4	2
DSL-1204-G05M	6 022 569	4	4	5

**Extension cable  
PUR halogenfree**

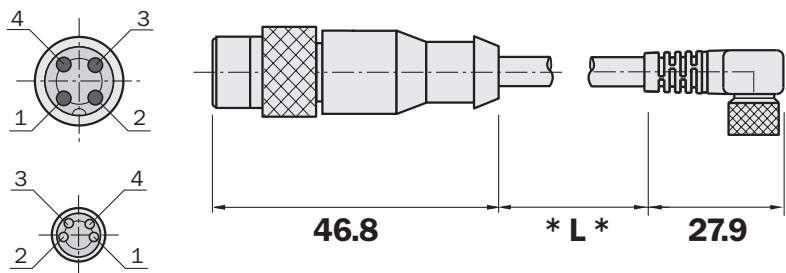
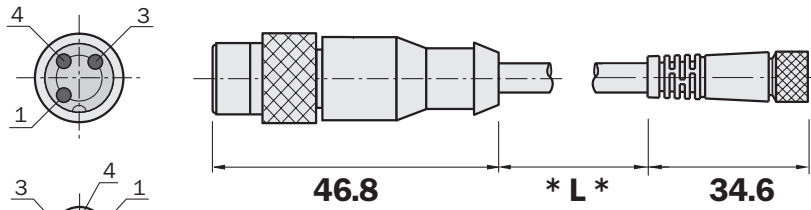
**Round connectors**

- Gold plated pins
- Halogenfree, PVC-free, silicone-free-cable
- Flame-retardant IEC 332-2
- Resisting to coolants and lubricants
- Suitable for use with drag chains
- Resistant against hydrolysis
- Enclosure rating IP 67 (M8)/IP 68 (M12) (only in fully locked position with its plugs)

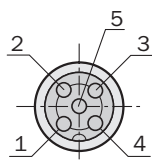
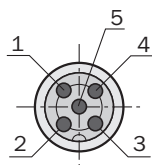
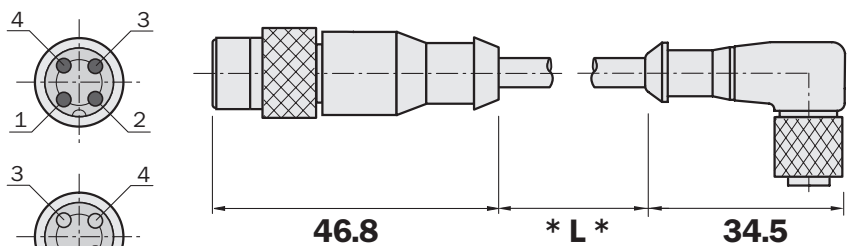
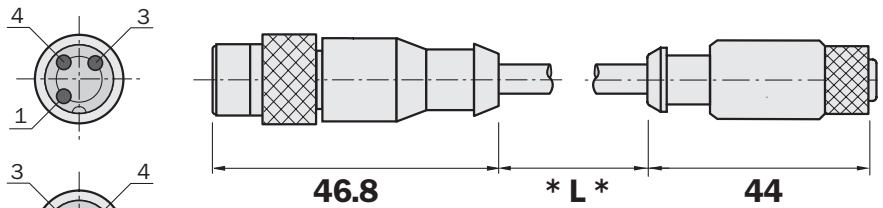


**Dimensional drawings**

**DSL-82...**



**DSL-12...**



Technical data

<b>Nominal voltage U<sub>b</sub></b>	60 V AC/75 V DC (M8-connector)
	250 V AC/300 V DC (M12, 4-pin-connector)
	30 V AC/36 V DC (M12, 5-pin-connector)
<b>Contact resistance</b>	≤ 5 mΩ
<b>Nominal power</b>	4 A (CSA = 3 A)
<b>Insulation group</b>	C acc. VDE 0110
<b>Insulation resistance</b>	> 10 <sup>9</sup> Ω
<b>Temperature range</b>	In fixed position            -50 °C ... +80 °C
	In flexible motion            -25 °C ... +60 °C
<b>Bending radius</b>	> 10 x diameter of cable
<b>Guaranteed bending cycles</b>	≤ 2 million (at bend radius r = 60 mm)
<b>Max. allowed speed up</b>	8.6 m/sec <sup>2</sup>
<b>Max. speed</b>	90 m/min (for 5 m horizontal path)
<b>Contact</b>	CuZn, gold plated
<b>Cable</b>	Colour black, PUR halogenfree
<b>Conductor diameter</b>	3 x 0.25 mm <sup>2</sup> (M8), 3 x 0.34 mm <sup>2</sup> (M12)
	4 x 0.25 mm <sup>2</sup> (M8), 4 x 0.34 mm <sup>2</sup> (M12)
	5 x 0.34 mm <sup>2</sup>
<b>Connector</b>	Colour black, TPU

Order information

Round connectors extension cable PUR halogenfree, female connector M8, male connector M12 (straight)

Type	Order no.	Description	Contacts Female connector	Contacts Male connector	Cable length [m]
DSL-8203-G0M6C	6 025 914	Female connector    straight	3	3	0.6
DSL-8203-G02MC	6 025 915	Female connector    straight	3	3	2
DSL-8203-B0M6C	6 025 916	Female connector    angled	3	3	0.6
DSL-8203-B02MC	6 025 917	Female connector    angled	3	3	2
DSL-8204-G0M6C	6 025 918	Female connector    straight	4	4	0.6
DSL-8204-G02MC	6 025 919	Female connector    straight	4	4	2
DSL-8204-B0M6C	6 025 920	Female connector    angled	4	4	0.6
DSL-8204-B02MC	6 025 921	Female connector    angled	4	4	2

Round connectors extension cable PUR halogenfree, female connector M12, male connector M12 (straight)

Type	Order no.	Description	Contacts Female connector	Contacts Male connector	Cable length [m]
DSL-1203-G0M6C	6 025 922	Female connector    straight	4 (3 connected)	3	0.6
DSL-1203-G02MC	6 025 923	Female connector    straight	4 (3 connected)	3	2
DSL-1203-B0M6C	6 025 924	Female connector    angled	4 (3 connected)	3	0.6
DSL-1203-B02MC	6 025 925	Female connector    angled	4 (3 connected)	3	2
DSL-1204-G0M6C	6 025 926	Female connector    straight	4	4	0.6
DSL-1204-G02MC	6 025 927	Female connector    straight	4	4	2
DSL-1204-B0M6C	6 025 928	Female connector    angled	4	4	0.6
DSL-1204-B02MC	6 025 929	Female connector    angled	4	4	2
DSL-1205-G0M6C	6 025 930	Female connector    straight	5	5	0.6
DSL-1205-G02MC	6 025 931	Female connector    straight	5	5	2

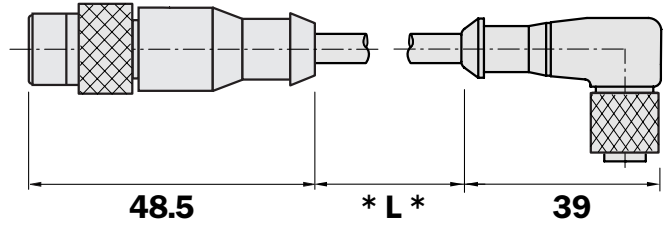
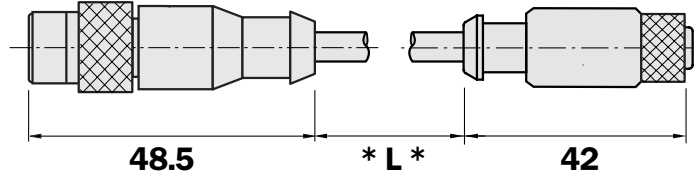
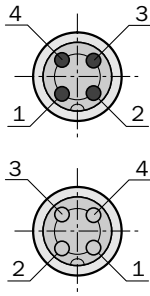
**Extension cable  
"Food & Beverage"**

**Round connectors**

- Especially suitable for use in the "Food & Beverage"-branch
- Gold plated pins
- Improved resistance to chemicals, acids and cleaning agent
- Enclosure rating IP 69K (only in fully locked position with its plugs)
- Stainless steel locking nut (V4A)

**Dimensional drawings**

DSL-1204-...



## Technical data

Nominal voltage $U_b$	250 V AC/300 V DC	
Contact resistance	$\leq 5 \text{ m}\Omega$	
Nominal power	4 A (CSA = 3 A)	
Test voltage	2.0 kV eff./60 s.	
Insulation group	C acc. VDE 0110	
Insulation resistance	$> 10^9 \Omega$	
Temperature range	In fixed position	-25 °C ... +90 °C
	In flexible motion	+5 °C ... +90 °C
Bending radius	$> 10 \times$ diameter of cable	
Contact	CuZn, 0.3 $\mu\text{m}$ gold plated	
Locking nut	Stainless steel (V4A)	
Cable	PVC, colour orange	
Conductor diameter	4 x 0.25 mm <sup>2</sup>	
Connector	PVC, colour orange	

## Order information

## Round connectors extension cable "Food &amp; Beverage", female connector M12, male connector M12 (straight)

Type	Order no.	Description		Contacts	Contacts	Cable length [m]
				Female connector	Male connector	
DSL-1204-G0M6N	6 028 194	Female connector	straight	4	4	0.6
DSL-1204-G02MN	6 028 195	Female connector	straight	4	4	2
DSL-1204-G05MN	6 028 196	Female connector	straight	4	4	5
DSL-1204-B0M6N	6 028 197	Female connector	angled	4	4	0.6
DSL-1204-B02MN	6 028 198	Female connector	angled	4	4	2
DSL-1204-B05MN	6 028 199	Female connector	angled	4	4	5



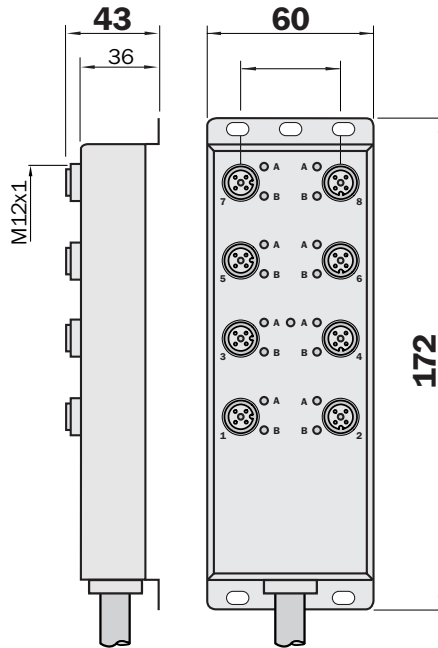
"Food & Beverage"  
IP 69K, V4A

Sensor splitter-box

- Enclosure rating IP 69K (only in fully locked position with its plugs or dust covers)
- Housing & thread material: stainless steel V4A
- Especially suitable for use in the "Food & Beverage"-branch
- Improved resistance to chemicals, acids and cleaning agent

Dimensional drawings

SNL-08...



M12-Contacts	Wire colour	Signal/outlet
1	brown	+
3	blue	-
2	grey/pink	1
	red/blue	2
	white/green	3
	brown/green	4
	white/yellow	5
	yellow/brown	6
	white/grey	7
	grey/brown	8
4	white	1
	green	2
	yellow	3
	grey	4
	pink	5
	red	6
	black	7
	violet	8
5	green/yellow	PE

**Technical data**

<b>Temperature range</b>	0 °C ... +60 °C
<b>Materials</b>	
Housing	V4A-stainless steel
Moulded body	PVC
Contact	CuZn, pre-nickeled and 0.8 µm gold plated
Threaded sleeve	V4A-stainless steel
O-Ring	EPDM
<b>Mechanical data</b>	
Enclosure rating	IP 69 K (only in fully locked position with its plugs)
<b>Electrical data</b>	
Contact resistance	≤ 5 mΩ
Nominal power	4 A per outlet/11 A max. total at 30 °C (refer to correction factors EN 60204-1)
Nominal voltage U <sub>b</sub>	10 ... 30 V DC
Reference voltage	32 V ~ eff.
Insulation resistance	> 10 <sup>9</sup> Ω
Pollution grade	2 acc. VDE 0110
Cable	PVC, colour black, 3 x 1.0 mm <sup>2</sup> /16 x 0.5 mm <sup>2</sup> (appropriate for drag cable use)
<b>Accessories</b>	4 dust covers for unused sockets

**Order information**
**Sensor splitter-box "Food & Beverage", IP 69 K, V4A (1.4404/316 L), M12 x 1 mm (5-pin), 8 x female connector, type of connection, cable**

Type	Order no.	Connecting cable		
		Length [m]	Lead [mm <sup>2</sup> ]	Cable
SNL-08D12-KA05	6 027 586	5	3 x 1.0/16 x 0.5	PVC black
SNL-08D12-KA10	6 027 587	10	3 x 1.0/16 x 0.5	PVC black
SNL-08D12-KA15	6 027 588	15	3 x 1.0/16 x 0.5	PVC black

# Sensor splitter-box, M12 x 1, IP 67, TPU housing

**M12 x 1, IP 67**

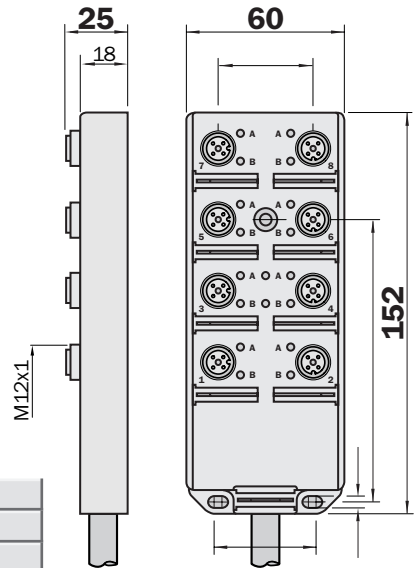
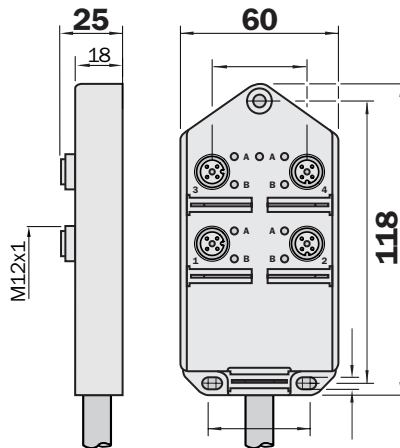
Sensor splitter-box

- Enclosure rating IP 67 (only in fully locked position with its plugs)
- TPU housing, self-extinguishing, moulded
- Shock and vibration resistant
- Gold plated pins
- 2 signale per M12-socket
- LED indication

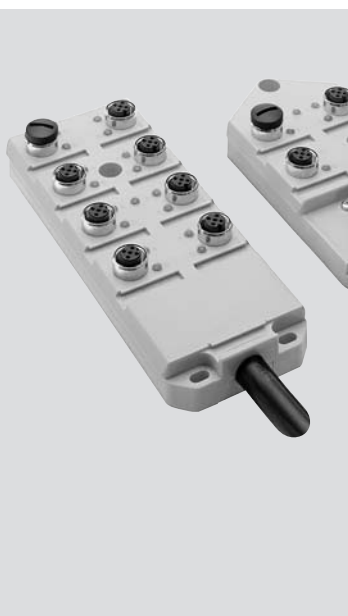
## Dimensional drawings

SBL-04D12-KC...

SBL-08D12-KC...



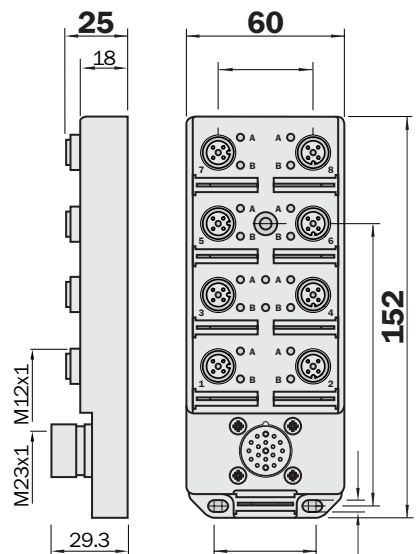
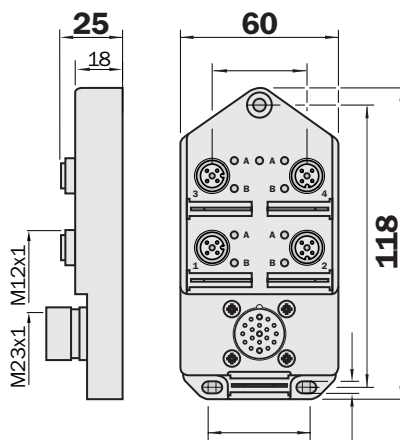
M12-Contacts	Wire colour	Signal/outlet
1	brown	+
3	blue	-
2	grey/pink	1
	red/blue	2
	white/green	3
	brown/green	4
	white/yellow	5
	yellow/brown	6
	white/grey	7
	grey/brown	8
4	white	1
	green	2
	yellow	3
	grey	4
	pink	5
	red	6
	black	7
	violet	8
5	green/yellow	PE



M12-Contacts	Signal/outlet
1 = 19	+
2 = 1	7
2	4
3	8
4	14
5	9
6	13
7	10
8	18
3 = 6	-
4 = 1	15
2	5
3	16
4	3
5	17
6	2
7	11
8	1
5 = 12	PE

SBL-04D12-SE...

SBL-08D12-SE...



**Technical data**

<b>Temperature range</b>	-15 °C ... +90 °C
<b>Materials</b>	
Housing	TPU, self-extinguishing
Moulded body	PA 6.6 GF, self-extinguishing, colour orange
Contact	CuZn, pre-nickeled and 0.8 µm gold plated
Threaded sleeve	CuZn, brass nickeled
<b>Mechanical data</b>	
Enclosure rating	IP 67 (only in fully locked position with its plugs)
<b>Electrical data</b>	
Contact resistance	≤ 5 mΩ
Nominal power	2 A per outlet/11 A max. total at 30 °C (refer to correction factors EN 60204-1)
Nominal voltage U <sub>b</sub>	10 ... 30 V DC
Reference voltage	32 V ~ eff.
Insulation resistance	> 10 <sup>9</sup> Ω
Pollution grade	2 acc. VDE 0110
Cable	PUR colour black, 4-way box x 1.0 mm <sup>2</sup> /8-way box 16 x 0.5 mm <sup>2</sup>
<b>Accessories</b>	2 dust covers for unused sockets, 10 attachable molds

**Order information**
**Sensor splitter-box M12 x 1 mm, 5-pin, type of connection, cable**

Type	Order no.	Connecting cable		
		Length [m]	Lead [mm <sup>2</sup> ]	Cable
SBL-04D12-KC05	6 028 394	5	3 x 1.0/8 x 0.5	PUR halogenfree
SBL-04D12-KC10	6 028 395	10	3 x 1.0/8 x 0.5	PUR halogenfree
SBL-08D12-KC05	6 028 396	5	3 x 1.0/16 x 0.5	PUR halogenfree
SBL-08D12-KC10	6 028 397	10	3 x 1.0/16 x 0.5	PUR halogenfree

**Sensor splitter-box M12 x 1 mm, 5-pin, type of connection, M23-connector**

Type	Order no.	Connection plug	
		Type	Description
SBL-04D12-SE	6 028 398	M23 x 1	Male connector, 19 contacts
SBL-08D12-SE	6 028 399	M23 x 1	Male connector, 19 contacts

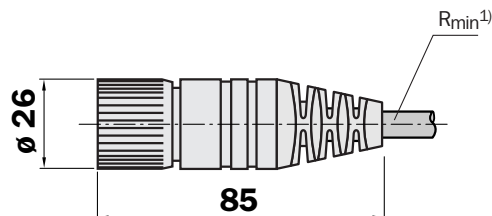
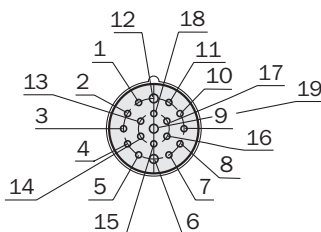
M23 x 1 mm, PUR

Connecting cables

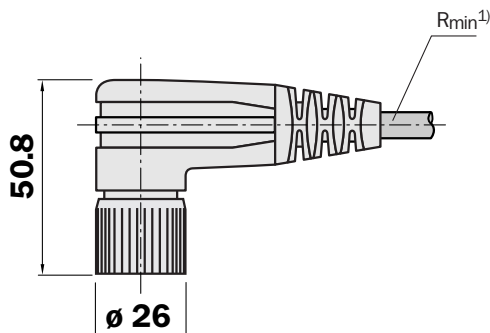
- Gold plated pins
- Enclosure rating IP 68
- Connector for connection on sensor splitter-box SBL-...D12-SE
- Colour connector/cable: black

Dimensional drawings

DOL-2319-G...MB



DOL-2319-W...MB



Contacts	Wire colour	Contacts	Wire colour
1	violet	11	black
2	red	12	yellow/green
3	grey	13	yellow/brown
4	red/blue	14	brown/green
5	green	15	white
6	blue	16	yellow
7	grey/pink	17	pink
8	white/green	18	grey/brown
9	white/yellow	19	brown
10	white/grey		

### Technical data

<b>Temperature range</b>	-25 °C ... +110 °C
<b>Materials</b>	
Moulded body	PBTP
Contact	CuZn, pre-nickeled and 0.8 µm gold plated
Body	PUR
Locking nut	CuZn, brass nickeled
<b>Mechanical data</b>	
Enclosure rating	IP 68 (only in fully locked position with its plugs)
<b>Electrical data</b>	
Contact resistance	≤ 5 mΩ
Nominal power	19-pin 8 A pin ø 1 mm, 10 A Spin ø 1.5 mm
Reference voltage	19-pin 160 V eff.
Testvoltage	19-pin 1.5 kV eff./60 s.
Insulation resistance	> 10 <sup>9</sup> Ω
Pollution grade	IIIa acc. VDE 0110
Cable	PUR, colour black, 3 x 1.0 mm <sup>2</sup> /16 x 0.5 mm <sup>2</sup> (appropriate for drag cable use)

### Order information

#### Connecting cables M23 x 1 PUR for sensor splitter-boxes SBL...D12-SE

Type	Order no.	Description	Contacts	Cable length [m]	
DOL-2319-G05MB	6 028 400	Female connector	straight	19	5
DOL-2319-G10MB	6 028 401	Female connector	straight	19	10
DOL-2319-G15MB	6 028 402	Female connector	straight	19	15
DOL-2319-W05MB	6 028 403	Female connector	angled	19	5
DOL-2319-W10MB	6 028 405	Female connector	angled	19	10
DOL-2319-W15MB	6 028 404	Female connector	angled	19	15

# Round connectors M12, 8-pin, shielded

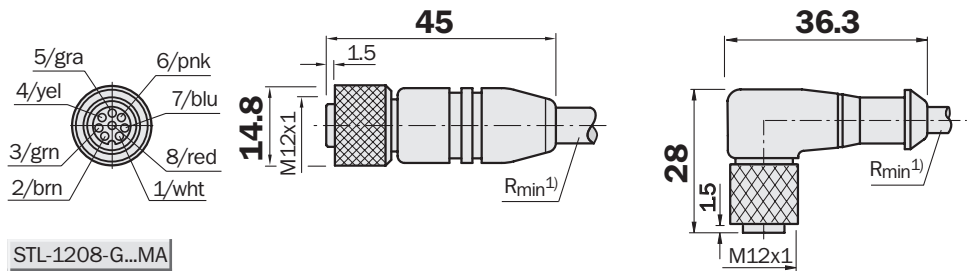
## M12, 8-pin, shielded

### Round connectors

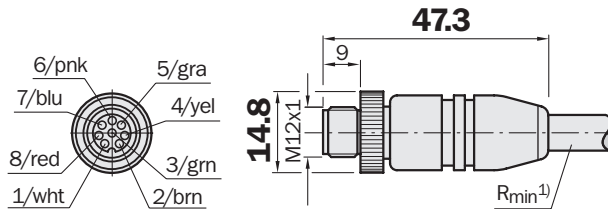
- Gold plated pins
- Especially suitable for use in shielded applications
- 360° shield on locking nut
- Shield on PIN 8
- Enclosure rating IP 67 (only in fully locked position with its plugs)

### Dimensional drawings

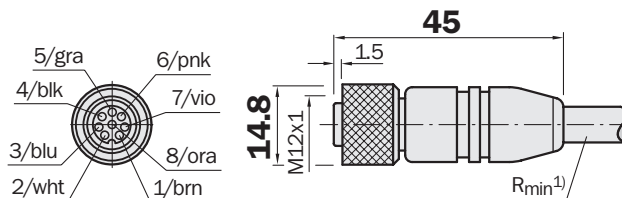
#### DOL-1208-...MA



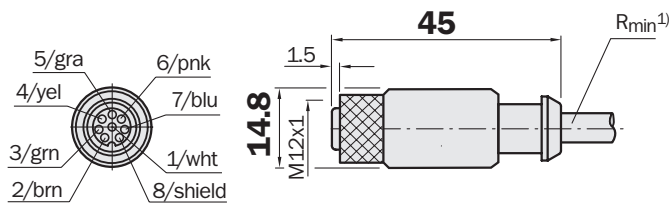
#### STL-1208-G...MA



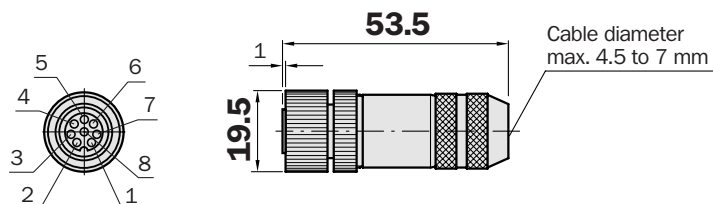
#### DOL-1208-...MF



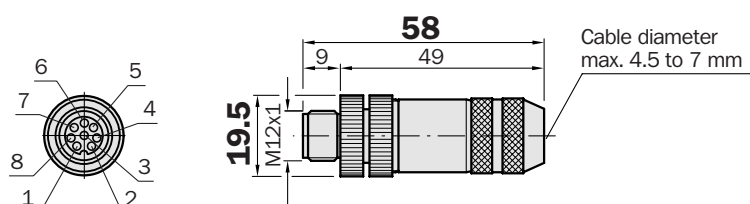
#### DOL-1208-...MB



#### DOS-1208-G.



#### STE-1208-G.



1) Minimum bend radius in dynamic use  
 $R_{min} = 20 \times \text{cable diameter}$





## Technical data

<b>Nominal voltage U<sub>b</sub></b>		30 V AC/36 V DC
<b>Contact resistance</b>		≤ 5 mΩ
<b>Nominal power</b>		1.5 A
<b>Insulation group</b>		C acc. VDE0110
<b>Insulation resistance</b>		> 10 <sup>9</sup> Ω
<b>Temperature range</b>		In fixed position      -25 °C ... +105 °C
<b>Temperature range</b>	DOL-1208-...MF	In fixed position      -25 °C ... +80 °C
<b>Molded cable</b>		
<b>Bending radius</b>		> 20 x diameter of cable
<b>Contact</b>		CuZn, 0.3 μm gold plated
<b>Connector diameter</b>	DOS-1208-GA, STE-1208-GA	Max. 0.75 mm <sup>2</sup>
<b>Cable</b>		
		PVC, colour black (8 x 0.25 mm <sup>2</sup> )
		PUR, colour black (7 x 0.25 mm <sup>2</sup> and shield)
<b>Connector</b>		TPU, colour black
<b>Terminal screwed connector</b>		
<b>Contact</b>		CuZn, pre-nickeled, 2 ... 4 μm CuSnZn
<b>Connection type</b>		Connector
<b>Housing</b>		CuZn, brass nickeled

## Order information

## Round connectors M12, 8-pin shielded

Type	Order no.	Description	Shield	Cable length [m]	Cable
DOS-1208-G	6 028 422	Female connector	straight		terminal screwed 4 ... 8 mm
DOS-1208-GA	6 028 369	Female connector	straight		terminal screwed 4 ... 8 mm
STE-1208-GA	6 028 370	Male connector	straight		terminal screwed 4 ... 8 mm
STL-1208-G02MA	6 029 330	Male connector	straight		2 PVC
STL-1208-G05MA	6 029 331	Male connector	straight		5 PVC
STL-1208-G10MA	6 032 324	Male connector	straight		10 PVC
DOL-1208-G02MA	6 020 633	Female connector	straight		2 PVC
DOL-1208-G05MA	6 020 993	Female connector	straight		5 PVC
DOL-1208-G10MA	6 022 152	Female connector	straight		10 PVC
DOL-1208-G15MA	6 022 153	Female connector	straight		15 PVC
DOL-1208-W02MA	6 020 992	Female connector	angled		2 PVC
DOL-1208-W05MA	6 021 033	Female connector	angled		5 PVC
DOL-1208-G02MB	6 010 748	Female connector	straight		2 PUR
DOL-1208-G02MF	6 020 663	Female connector	straight		2 PVC spec. core colour
DOL-1208-G05MF	6 020 664	Female connector	straight		5 PVC spec. core colour

## Round connectors M12, 8-pin, shielded, female connector (straight) and male connector (straight)

Type	Order no.	Shield	Cable length [m]	Cable
DSL-1208-G01MA	6 026 625	360° on locking nut	1	PVC
DSL-1208-G02MC	6 030 121	360° on locking nut	2	PUR halogenfree
DSL-1208-G05MC	6 032 325	360° on locking nut	5	PUR halogenfree

# T-Junction M12, M8

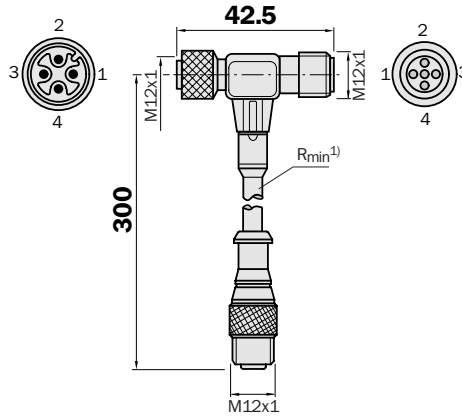
**M12, M8**

**T-Junction**

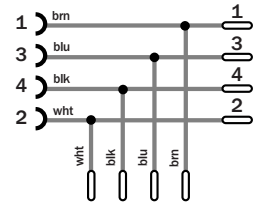
- Gold plated pins
- T-Junction for connection on splitter-box (SBO-02C.../SBO-02D...)
- Housing material TPU
- Enclosure rating IP 67 (only in fully locked position with its plugs)

## Dimensional drawings

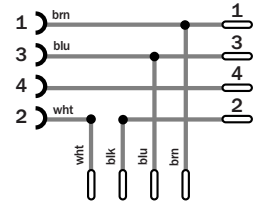
DSL-.04-TOM3



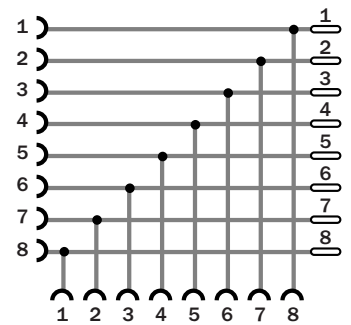
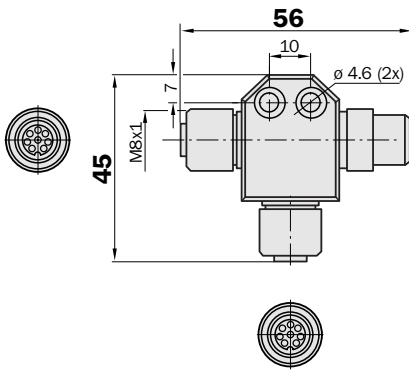
DSL-1204-TOM3



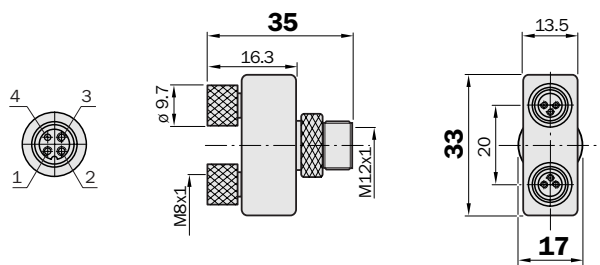
DSL-1104-TOM3



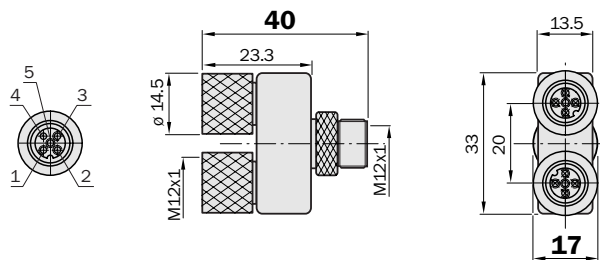
SBO-02F12-SF



SBO-02C08-SF



SBO-02D12-SF



## Technical data

<b>Nominal voltage U<sub>b</sub></b>	60 V AC/75 V DC (M8, connector)
	250 V AC/300 V DC (M12, 4-pin, connector)
	30 V AC/36 V DC (M12, 5-pin, connector and M12, 8-pin, connector)
<b>Contact resistance</b>	≤ 5 mΩ
<b>Nominal power</b>	4 A (CSA = 3 A)
<b>Testvoltage</b>	2.0 kV eff./60 s. (M12, 4-pin, connector)
	1.5 kV eff./60 s. (M12, 5-pin, 8-pin, connector and M8, connector)
<b>Insulation group</b>	C acc. VDE O110
<b>Insulation resistance</b>	> 10 <sup>9</sup> Ω
<b>Molding</b>	TPU, self-extinguishing
<b>Contact</b>	0.8 μm gold plated
<b>Locking nut</b>	CuZn, brass nickeled

## Order information

## T-Junction M12, M8

Type	Order no.	"T" splitter, line	T-Junction 2 x connector	Specification
DSL-1204-TOM3	6 011 682	Male connector M12, 4-pin, straight + 0.3 m PVC	1 x female M12/1 x male connector M12, 4-pin, angled	Power supply signal
DSL-1104-TOM3	6 011 683	Male connector M12, 4-pin, straight + 0.3 m PVC	1 x female M12/1 x male connector M12, 4-pin, angled	Power supply signal and logic interrupt
SBO-02F12-SF	6 026 503	Male connector M12, 8-pin, straight	2 x female connector M12, 8-pin, angled	Parallel connected
SBO-02C08-SF	6 028 393	Male connector M12, 4-pin, straight	2 x female connector M8, 3-pin, straight	PIN 2, 4 split
SBO-02D12-SF	6 028 392	Male connector M12, 5-pin, straight	2 x female connector M12, 5-pin, straight	PIN 2, 4 split

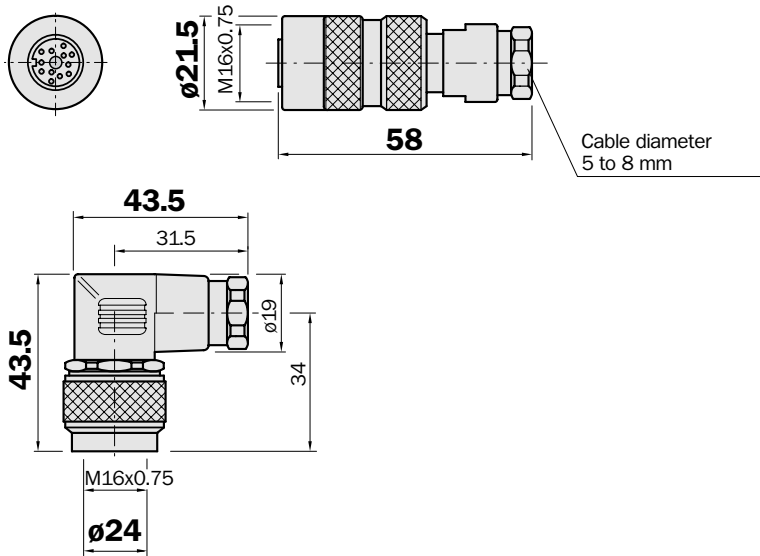
## M16 x 0.75 connection for DME

### Round connectors

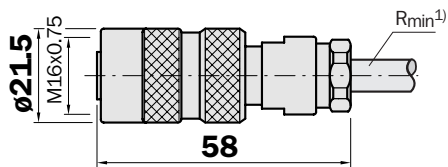
- Gold plated pins
- Enclosure rating IP 67
- Connection type – solder

### Dimensional drawings

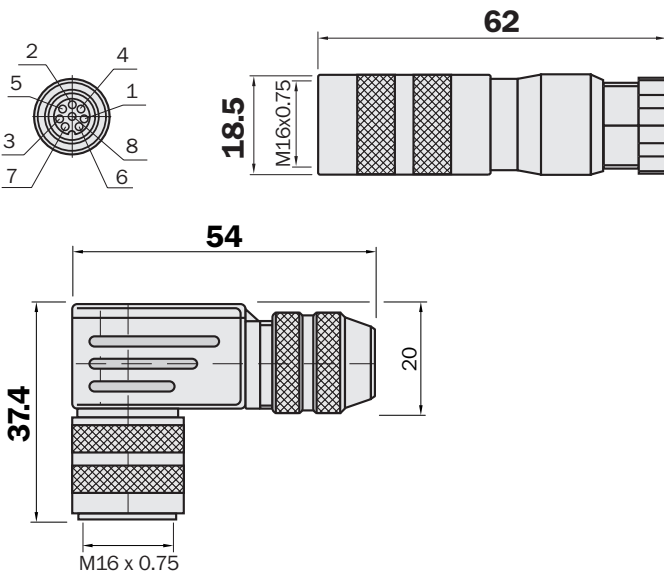
#### DOS-1612-....



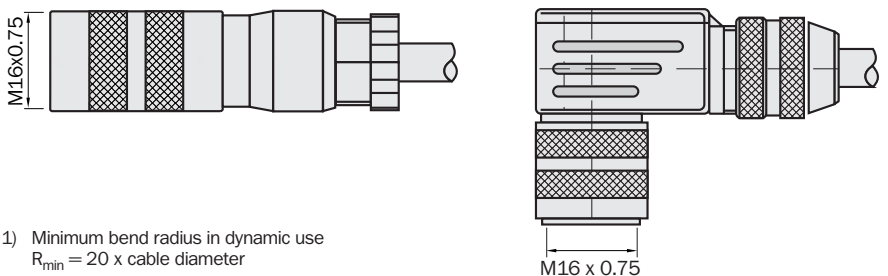
#### DOL-1612-....



#### DOS-1608-....



#### DOL-1608-....



1) Minimum bend radius in dynamic use  
 $R_{min} = 20 \times \text{cable diameter}$



**Technical data**

<b>Nominal voltage <math>U_b</math></b>		60 V DC
<b>Transit resistance</b>		$\leq 5 \text{ m}\Omega$
<b>Nominal power (40 °C)</b>		5 A (8-pin) 3 A (12-pin)
<b>Test voltage</b>		550 V
<b>Insulation resistance</b>		$\geq 10^{10} \Omega$
<b>Temperature range</b>	DOS-16...	-30 °C ... +95 °C
	LTG-1812-MW/LTG-2010-MW	In fixed position -30 °C ... +80 °C In flexible motion -5 °C ... +70 °C
	LTG-2308-MW	In fixed position -40 °C ... +80 °C In flexible motion -5 °C ... +70 °C
<b>Connector diameter</b>	DOS-1608	Max. 0.75 mm <sup>2</sup>
	DOS-1612	Max. 0.25 mm <sup>2</sup>
<b>Cable</b>	LTG-1812-MW	PVC, 12 x 0.5 mm <sup>2</sup>
	LTG-2010-MW	PVC, 10 x 0.25 mm <sup>2</sup> + shield
	LTG-2308-MW	PUR halogenfree (grey), 2 x 0.5 mm <sup>2</sup> /6 x 0.25 mm <sup>2</sup>
<b>Enclosure rating</b>		IP 67
<b>Contact</b>		CuZn, gold plated
<b>Housing connector</b>		Zinc die-cast housing, Brass, chrome plated

**Order information**

**Round connectors M16 x 0.75 mm for DME**

Type	Order no.	Description	Contacts	Cable	Cable length [m]
DOS-1612-G	6 007 092	Female connector straight	12	5 ... 8 mm	terminal screwed
DOS-1612-W	6 007 988	Female connector angled	12	5 ... 8 mm	terminal screwed
DOL-1612-5M-2	2 013 353	Female connector straight	12	PVC (LTG-1812-MW)	5
DOL-1612-5M-3	2 017 568	Female connector straight	12 (10)	PVC (LTG-2010-MW)	5
DOS-1608-GA	6 025 726	Female connector straight	8	6 ... 8 mm	terminal screwed
DOS-1608-WA	6 025 727	Female connector angled	8	6 ... 8 mm	terminal screwed
DOL-1608-G05MA	2 026 742	Female connector straight	8	PUR (LTG-2308-MW)	5
DOL-1608-G10MA	2 027 193	Female connector straight	8	PVC (LTG-2308-MW)	10
DOL-1608-W05MA	2 026 743	Female connector angled	8	PUR (LTG-2308-MW)	5
DOL-1608-W10MA	2 027 194	Female connector angled	8	PVC (LTG-2308-MW)	10

**Connecting cables for round connectors M16 x 0.75 mm for DME**

Type	Order no.	Description	Cable sheathing	Cable length [m]
LTG-1812-MW	6 009 219	For DME 2000, 12 wire	PVC	by the metre
LTG-2010-MW	6 008 596	For DME 3000, 10 leads paired and shielded	PVC	by the metre
LTG-2308-MW	6 026 292	For DME 5000, 8 leads paired and shielded	PUR (grey)	by the metre

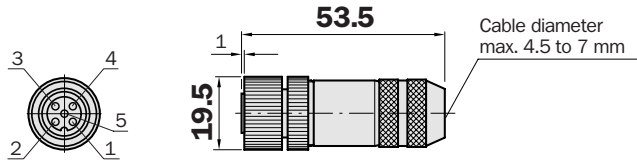
**For DME 3000 and DME 5000**

Profibus connector

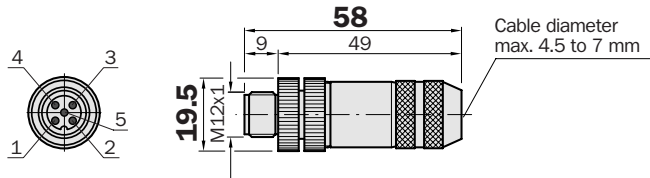
- Gold plated pins
- Profibus-DP signal cable
- Enclosure rating IP 67 (only in fully locked position with its plugs)
- Shielded connection
- Improved resistance to oil and chemicals

## Dimensional drawings

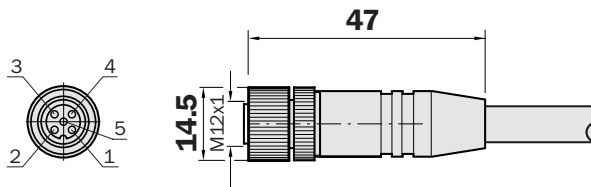
PR-DOS-1205-G



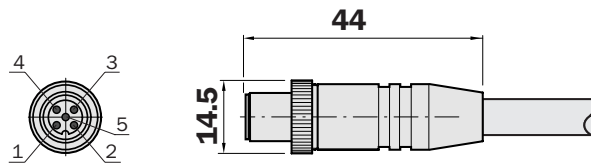
PR-STE-1205-G



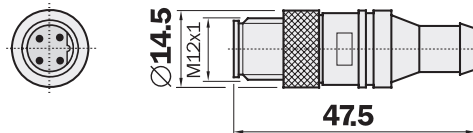
DOL-12PR-G..M



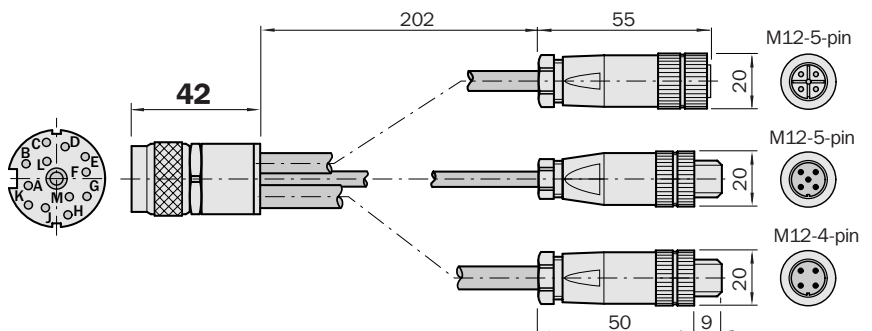
STL-12PR-G..M



PR-STE-END



PR-ADPT-DME



## Technical data

<b>Nominal voltage U<sub>b</sub></b>	≤ DC 250 V DC (cable Profibus) 30 V AC/36 V DC (M12, 5-pin)
<b>Transit resistance</b>	≤ 5 mΩ
<b>Nominal power</b>	4 A/3 A (M16 x 0.75)
<b>Testvoltage</b>	2.0 kV eff./60 s. (cable Profibus) 1.5 kV eff./60 s. (M12, 5-pin)
<b>Insulation group</b>	C acc. VDE 0110
<b>Insulation resistance</b>	≥ 2.5 x 10 <sup>9</sup> Ω/km
<b>Operating capacity</b>	≤ 25 pF/m, 800/s (A/A)
<b>Wave impedance</b>	160 Ω ±10 %
<b>Temperature range</b>	In fixed position        -40 °C ... +80 °C In flexible motion       -5 °C ... +80 °C
<b>Bending radius</b>	> 100 mm (appropriate for drag cable use)
<b>Cable</b>	PUR halogenfree, colour violett (2 x 0.34 mm <sup>2</sup> + secondary sheathed flex wire + shield)
<b>Screening</b>	AL-PT film (core screening) C screen tin-plated (overall shield)
<b>Contact</b>	CuZn, gold plated
<b>Connector</b>	Molding TPU, colour black
<b>Housing connector terminal screwed</b>	CuZn, brass nickeled
<b>Connector diameter</b>	Max. 0.75 mm <sup>2</sup> (screw terminals)

## Order information

## Profibus connector, M12 (B-coded), straight for DME 3000 and DME 5000

Type	Order no.	Description	Contacts	Specification	Cable	Cable length [m]
PR-DOS-1205-G	6 021 353	Female connector	5	360° shield on locking nut	4 ... 8 mm	terminal screwed
PR-STE-1205-G	6 021 354	Male connector	5	360° shield on locking nut	4 ... 8 mm	terminal screwed
DOL-12PR-G05M	6 026 006	Female connector	5	360° shield on locking nut	PUR-violet (Profibus)	5
DOL-12PR-G10M	6 026 008	Female connector	5	360° shield on locking nut	PUR-violet (Profibus)	10
STL-12PR-G05M	6 026 005	Male connector	5	360° shield on locking nut	PUR-violet (Profibus)	5
STL-12PR-G10M	6 026 007	Male connector	5	360° shield on locking nut	PUR-violet (Profibus)	10
PRE-STE-END	6 021 156	Male connector	4	Profibus terminal-resistor		

## Profibus connector for DME 3000, connection adapter/male connector

Type	Order no.	Connection adapter, female connector	Male (2 x)/female connector	Cable length [m]
PR-ADPT-DME	2 021 463	M16 x 0.75 mm, 12-pin	M12 x 1 mm, 4-/5-pin	0.2

## Profibus connector for DME 3000 and DME 5000, cable

Type	Order no.	Description	Cable sheathing	Cable length [m]
LTG-2102-MW	6 021 355	Profibus specification (signal cable)	PUR (violet)	by the metre

## For DME 5000

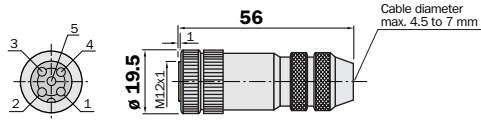
### Devicenet connector

- Gold plated pins
- Device Net specification  
(Connection 7/8" and M12 x 1)
- Enclosure rating IP 67 (only in fully locked position with its plugs)
- Cable conforming to DeviceNet specification
- Improved resistance to oil and chemicals

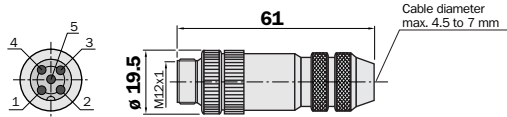


### Dimensional drawings

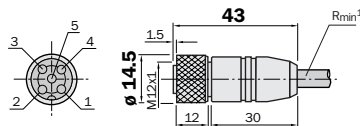
#### DOS-1205-GA



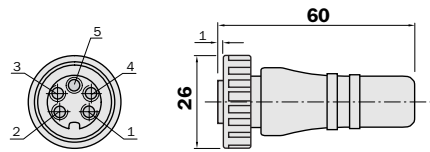
#### STE-1205-GA



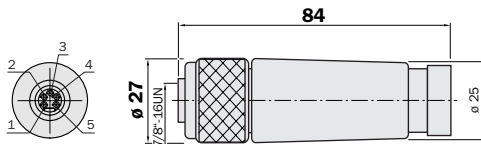
#### DOL-1205-G06MK



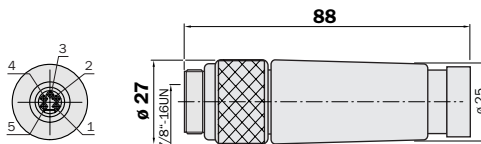
#### DOS-7805-GKEND



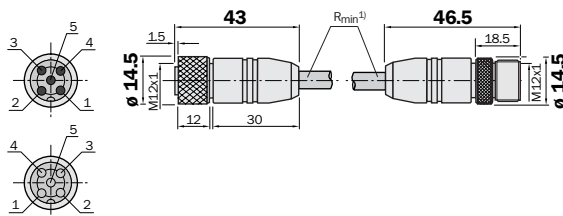
#### DOS-7805-GK



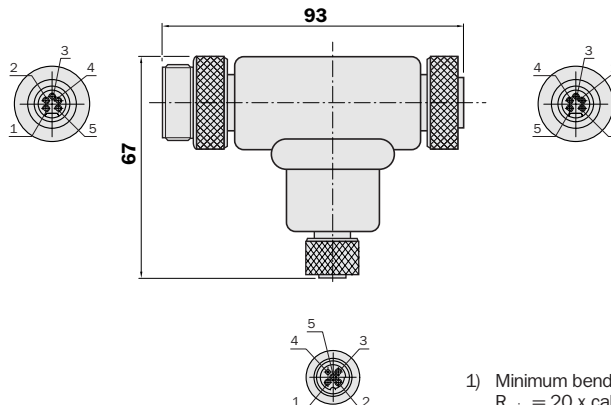
#### STE-7805-GK



#### DSL-1205-G06MK



#### SDO-02D78-SF



1) Minimum bend radius in dynamic use  
 $R_{min} = 20 \times \text{cable diameter}$



Technical data	
<b>Nominal voltage U<sub>b</sub></b>	30 V AC/36 V DC (M12, 5-pin) 250 V AC (7/8")
DeviceNet	30 V AC/36 V DC
<b>Transit resistance</b>	≤ 5 mΩ
<b>Nominal power</b>	4 A (M12) 9 A (7/8", 5-pin)
DeviceNet	8 A (Trunk)/4 A (Drop)
<b>Testvoltage</b>	1.2 kV eff.
<b>Conductor resistance</b>	≤ 57.4 Ω/km (voltage supply) ≤ 91.9 Ω/km (data cable)
<b>Insulation resistance</b>	> 10 <sup>12</sup> Ω/km
<b>Temperature range</b>	In fixed position      -40 °C ... +70 °C In flexible motion      -10 °C ... +70 °C
<b>Bending radius</b>	> 100 mm (appropriate for drag cable use)
<b>Cable (DeviceNet Dropcable)</b>	2 x 0.34 mm <sup>2</sup> (22 AWG)/2 x 0.25 mm <sup>2</sup> (24 AWG), stranded together in pairs
<b>Secondary sheathed flex wire</b>	0.34 mm <sup>2</sup> (22 AWG)
<b>Screening</b>	AL-PT film (core screening) C screen tin-plated (overall shield)
<b>Connector</b>	Molding TPU, colour black
<b>Connector diameter</b>	Max. 0.75 mm <sup>2</sup> (M12-screw terminals) Max. 1.5 mm <sup>2</sup> (7/8"-screw terminals)
<b>Housing connector (terminal screwed)</b>	CuZn, brass nickeled (M12) PA 6.6, self-extinguishing (7/8")

## Order information

## DeviceNet connector for DME 5000, 5-pin, straight

Type	Order no.	Description	Specification	Cable	Cable length [m]
DOS-1205-GA	6 027 534	Female connector, M12	360° shield on locking nut	4 ... 8 m	terminal screwed
STE-1205-GA	6 027 533	Male connector, M12	360° shield on locking nut	4 ... 8 m	terminal screwed
DOL-1205-G06MK	6 028 326	Female connector, M12	360° overall shield on locking nut	Dropcable (PUR black)	6
DOS-7805-GKEND	6 028 329	Female connector, 7/8"	DeviceNet terminalresistor, 7/8"		
DOS-7805-GK	6 028 331	Female connector, 7/8"	PG16	12.0 ... 14.0 mm	terminal screwed
STE-7805-GK	6 028 332	Male connector, 7/8"	PG16	12.0 ... 14.0 mm	terminal screwed

## DeviceNet connector for DME 5000, female connector M12, 5-pin, straight and male connector, straight, M12, 5-pin, straight

Type	Order no.	Shield	Cable	Cable length [m]
DSL-1205-G06MK	6 028 327	360° overall shield on locking nut	Dropcable (PUR-black)	6

## DeviceNet connector for DME 5000, T-Junction, female connector (Drop). M12, 5-pin

Type	Order no.	T-Junction, female connector (Drop)	Female/male connector (Trunk)	Molding
SDO-02D78-SF	6 028 330	M12 x 1 mm, 5-pin	7/8", 5-pin	TPU

## DeviceNet connector for DME 5000, cable

Type	Order no.	Description	Cable sheathing	Cable length [m]
LTG-2804-MW	6 028 328	DeviceNet Spezifikation (Dropcable)	PUR (black)	by the metre

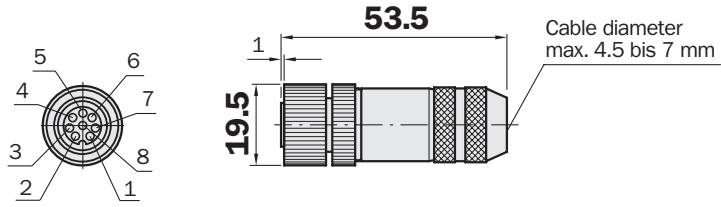
For Hiperface interface

Hiperface connectors

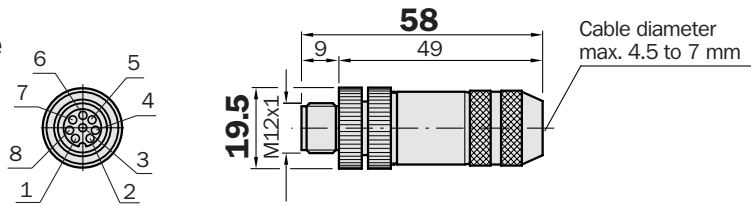
- Gold plated pins
- Especially suitable for use of Hiperface interfaces
- 360° shield on locking nut
- PUR cable, stranded together in pairs, shielded
- Enclosure rating IP 67 (only in fully locked position with its plugs)
- Halogenfree, PVC-free, silicone-free cable
- Resistant to coolants and lubricants

Dimensional drawings

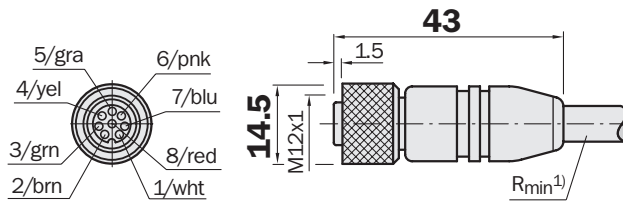
DOS-1208-GA



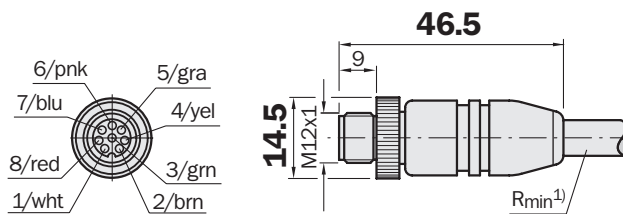
STE-1208-GA



DOL-1208-G...MAC1



STL-1208-G...MAC1



Technical data	
Nominal voltage $U_b$	30 V AC/36 V DC
Contact resistance	$\leq 5 \text{ m}\Omega$
Nominal power	1.5 A
Test voltage	1.5 kV eff./60 s
Insulation group	C acc. VDE0110
Insulation resistance	$> 10^9 \Omega \cdot \text{km}$
Temperature range	In fixed position $-40^\circ\text{C} \dots +80^\circ\text{C}$ In flexible motion $-20^\circ\text{C} \dots +80^\circ\text{C}$
<b>Molded cable</b>	
Bending radius	$> 20 \times$ Cable diameter
Contact	CuZn, 0.3 $\mu\text{m}$ gold plated
Locking nut	CuZn, brass nickeled
Connector diameter	DOS-1208-GA, STE-1208-GA max. 0.75 mm <sup>2</sup>
Cable	PUR halogenfree, colour black, (4 x 2 x 0.25 mm <sup>2</sup> )
Connector	TPU, colour black
<b>Terminal screwed connector</b>	
Contact	CuZn, pre-nickeled, 2 ... 4 $\mu\text{m}$ CuSnZn
Connection type	Connector
Housing	CuZn, brass nickeled

#### Order information

##### Hiperface round connector M12, 8-pin, leads paired and shielded

Type	Order no.	Description	Shield	Cable length [m]	Cable
DOS-1208-GA	6 028 369	Female connector straight	360° shield on locking nut	terminal screwed	4 ... 8 mm
STE-1208-GA	6 028 370	Male connector straight	360° shield on locking nut	terminal screwed	4 ... 8 mm
DOL-1208-G02MAC1	6 032 448	Female connector straight	360° shield on locking nut	2	PUR halogenfree
DOL-1208-G05MAC1	6 032 449	Female connector straight	360° shield on locking nut	5	PUR halogenfree
DOL-1208-G10MAC1	6 032 450	Female connector straight	360° shield on locking nut	10	PUR halogenfree
DOL-1208-G20MAC1	6 032 451	Female connector straight	360° shield on locking nut	20	PUR halogenfree
STL-1208-G02MAC1	6 032 452	Male connector straight	360° shield on locking nut	2	PUR halogenfree
STL-1208-G05MAC1	6 032 453	Male connector straight	360° shield on locking nut	5	PUR halogenfree
STL-1208-G10MAC1	6 032 454	Male connector straight	360° shield on locking nut	10	PUR halogenfree
STL-1208-G20MAC1	6 032 455	Male connector straight	360° shield on locking nut	20	PUR halogenfree

##### Hiperface round connector M12, 8-pin, leads paired and shielded

Type	Order no.	Description	Cable length [m]	Cable
LTG-3108-MW	6 032 456	leads paired and shielded (4 x 2 x 0.25 mm <sup>2</sup> ) (Hiperface signal cable)	by the metre	PUR halogenfree (black)

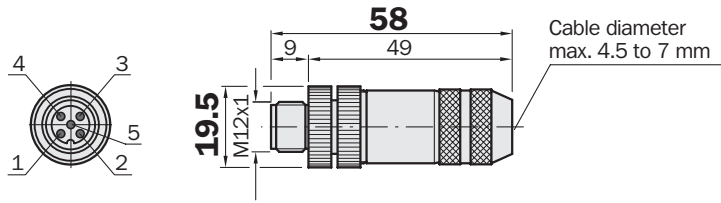
## For Ethernet interface

### Ethernet connectors

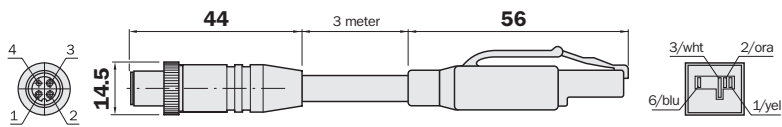
- Gold plated pins
- Ethernet CAT 5 and CAT 6 signal cable
- Enclosure rating IP 20 to IP 67 (RJ45), IP 67 (M12), (connected/fully locked position)
- Shielded connection (M12-D-coded)
- Cable conforming to Ethernet specification

### Dimensional drawings

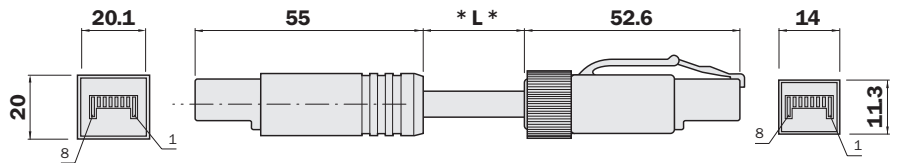
#### STE-1204-GE



#### SSL-2J04-G03ME



#### SSL-2J04-G03ME



## Technical data

Nominal voltage $U_b$	36 V DC 3
Testvoltage	700 V
Cable resistance	Acc. CAT 5 resp. CAT 6, Ethernet Spec.
Cable impedance	Acc. CAT 5 resp. CAT 6, Ethernet Spec.
Temperature range	-40 °C ... +70 °C
Bending radius	> 8 x Cable diameter
Cable	PVC, green
Screening	AL-PT film (core screening) C- screen tin-plated (overall shield)
Contact	CuZn, gold plated
Connector	Polycarbonate, colour black
Housing connector terminal screwed	CuZn, brass nickeled
Connector diameter	Max. 0.75 mm <sup>2</sup> (screw terminals)
Cable	8-wired, CAT 6, AWG 27/7, double-shielded 4-wired, CAT 5, AWG 22/7, shielded

## Order information

## Ethernet connector, M12 (D-coded), 4-pin, straight, (IP67), terminal screwed

Type	Order no.	Description	Shield	Connection
STE-1204-GE	6 032 802	Male connector (D-coded)   straight	360° shield on locking nut	terminal screwed

## Ethernet Patch connector (CAT 5), male connector (IP 67), M12 (D-coded), 4-pin, straight and male connector RJ45 (IP 20)

Type	Order no.	Description	Shield	Cable length [m]	Cable
SSL-2J04-G03ME	6 029 630	Male connector/ male connector   straight	360° shield on locking nut M12	3	Ethernet Patch PVC green

## Ethernet Gigabit connector (CAT 6), male connector RJ45 (IP 67, Push-Pull) and male connector RJ45 (IP 20), 8-pin

Type	Order no.	Description	Cable length [m]	Cable
SSL-OJ08-G05ME	6 032 321	Male connector/ male connector   straight	5	Ethernet Gigabit PVC green
SSL-OJ08-G10ME	6 032 322	Male connector/ male connector   straight	10	Ethernet Gigabit PVC green
SSL-OJ08-G20ME	6 032 323	Male connector/ male connector   straight	20	Ethernet Gigabit PVC green

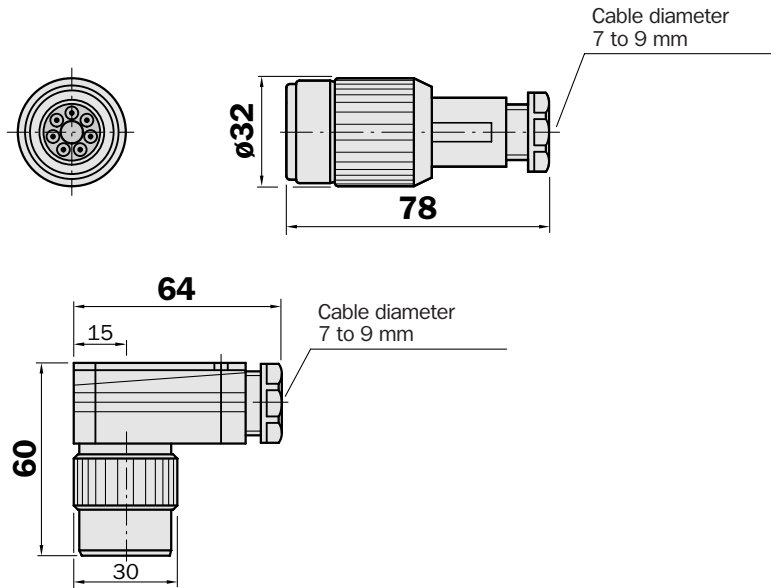
## Terminal screwed

### Round connectors

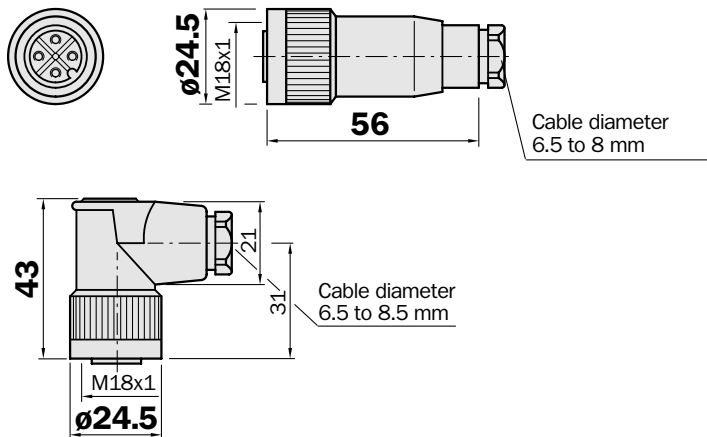
- Silver-plated contacts
- Enclosure rating
  - IP 65 (DOS-0606...)
  - IP 65 (DOS-1804...)
  - IP 66 (DOS-2606...)
 (only in fully locked position with its plugs)
- Utilisation of round plug connectors for connecting special sensors

## Dimensional drawings

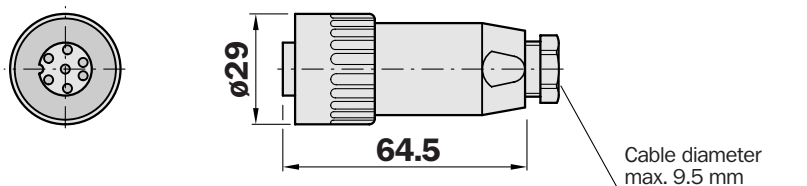
DOS-0606-



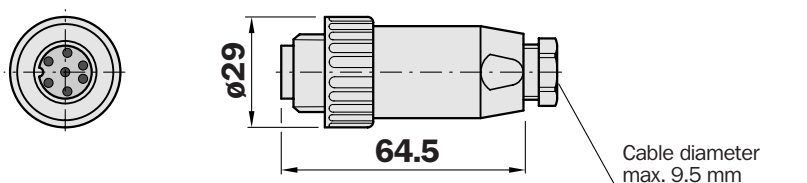
DOS-1804-



DOS-2606-G



STE-2606-G



## Technical data

<b>Nominal voltage U<sub>b</sub></b>		250 V AC/300 V DC
<b>Transit resistance</b>		≤ 5 mΩ
		≤ 8 mΩ (DOS-1804...)
<b>Nominal power</b>	DOS-0606..., DOS-2606...	10 A (45 °C)
	DOS-1804...	16 A (40 °C)
<b>Insulation resistance</b>	DOS-0606..., DOS-2606...	≥ 10 <sup>10</sup> Ω
	DOS-1804...	≥ 10 <sup>10</sup> Ω
<b>Connector diameter</b>	DOS-0606	0.5 ... 1.5 mm <sup>2</sup> (crimping)
	DOS-1804	max. 1.5 mm <sup>2</sup> (screw connection)
	DOS/STE-2606	max. 0.75 mm <sup>2</sup> (solder)
<b>Housing material</b>	DOS-0606...	Plastic, fibre glass reinforced
	DOS-1804..., DOS-2606...	PA 6.6
<b>Contact</b>		CuZn, Silver-plated

## Order information

## Round connectors terminal screwed, DIN 43651, M26

Type	Order no.	Description	Contacts	Wire section [mm <sup>2</sup> ]	Screw joint for cable [mm]	
DOS-0606-G	6 006 612	Female connector	straight	6 + PE	0.5 ... 1.5	7 ... 9
DOS-0606-W	6 006 613	Female connector	angled	6 + PE	0.5 ... 1.5	7 ... 9

## Round connectors terminal screwed, M18

Type	Order no.	Description	Contacts	Wire section [mm <sup>2</sup> ]	Screw joint for cable [mm]	
DOS-1804-G	6 009 436	Female connector	straight	4	max. 1.5	6.5 ... 8.5
DOS-1804-W	6 009 437	Female connector	angled	4	max. 1.5	6.5 ... 8.5

## Round connectors terminal screwed, R16, M24

Type	Order no.	Description	Contacts	Wire section [mm <sup>2</sup> ]	Screw joint for cable [mm]	
STE-2606-G	6 004 193	Male connector	straight	6 + PE	max. 0.75	max. 9.5
DOS-2606-G	6 004 194	Female connector	straight	6 + PE	max. 0.75	max. 9.5

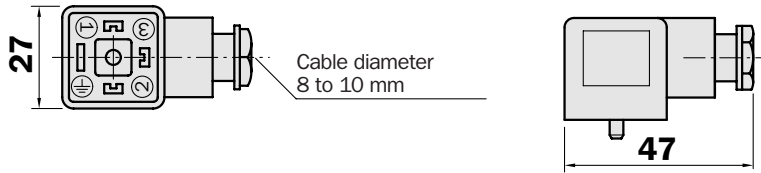
## DIN 43650, 43652

Rectangular connector

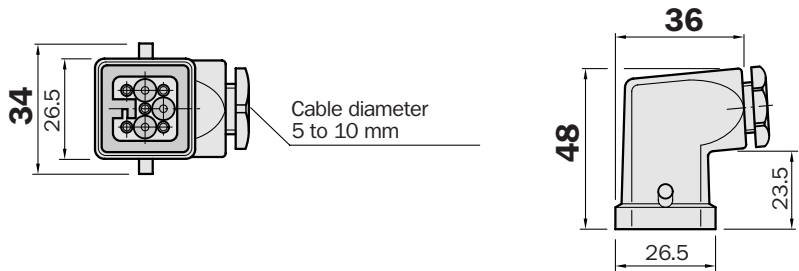
- Enclosure rating IP 65
- Connectors for connection of special sensors
- Connector acc. DIN 43650 (Design A) DIN 43652

### Dimensional drawings

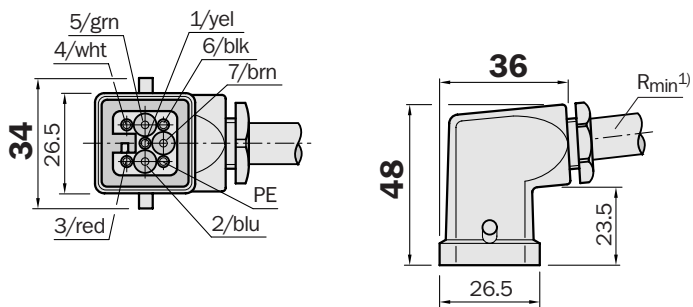
DOS-0303-W



DOS-2707-W



DOL-2706-...M



1) Minimum bend radius in dynamic use  
 $R_{min} = 20 \times \text{cable diameter}$





## Technical data

<b>Nominal voltage U<sub>b</sub></b>		250 V AC/300 V DC
<b>Transit resistance</b>	DOS-0303...	≤ 15 mΩ
<b>Nominal power</b>	DOS-0303...	10 A
<b>Insulation resistance</b>	DOS-0303	> 10 <sup>10</sup> Ω
<b>Connector diameter</b>		Max. 1.5 mm <sup>2</sup>
<b>Housing material</b>	DOS-0303	PA6
<b>Contact</b>		CuZn, brass nickeled
<b>Cable (DOL-2706...)</b>		PVC (3 x 0.75 mm <sup>2</sup> /4 x 0.5 mm <sup>2</sup> )

## Order information

## Rectangular connector, DIN 43650 (Design A)

Type	Order no.	Description	Contacts	Cable	Cable length [m]
DOS-0303-W	6 005 698	Female connector	3 + PE	8 ... 10 mm	terminal screwed

Rectangular connector, DIN 43652 (26.5 x 26.5 mm<sup>2</sup>)

Type	Order no.	Description	Contacts	Cable	Cable length [m]
DOS-2707-W	2 007 901	Female connector	7 + PE	5 ... 10 mm	terminal screwed
DOL-2706-02M	2 006 545	Female connector	7 + PE	PVC	2
DOL-2706-06M	2 006 860	Female connector	7 + PE	PVC	6
DOL-2706-10M	2 007 595	Female connector	7 + PE	PVC	10

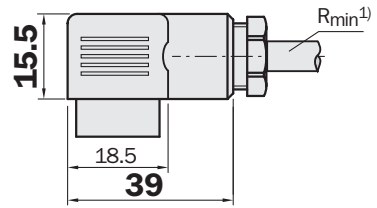
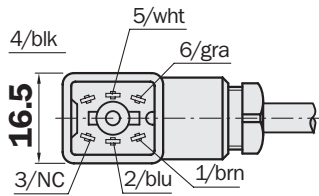
## Q6, Q7, DC/AC-coding

Rectangular connector

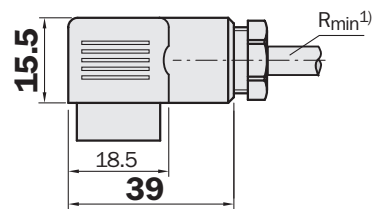
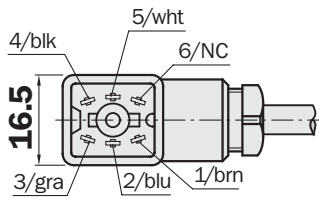
- Enclosure rating IP 65
- Connectors specifically for DC/AC voltage supply
- Connectors for connection of special sensors

### Dimensional drawings

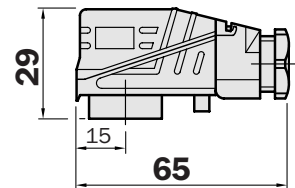
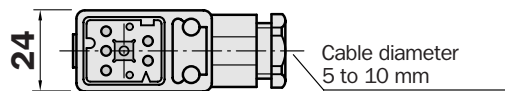
DO-1306-.....



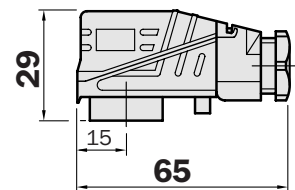
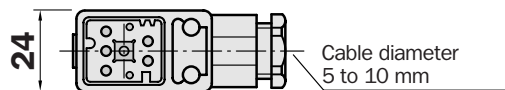
DO-1406-.....



DOS-2107-W



DOS-2207-W



(DOL-1306, DOL-1406)

1) Minimum bend radius in dynamic use  
 $R_{min} = 20 \times \text{cable diameter}$

## Technical data

<b>Nominal voltage U<sub>b</sub></b>	250 V AC/300 V DC
<b>Nominal power</b>	6 A
<b>Insulation group</b>	C acc. VDE 0110
<b>Temperature range</b>	-40 °C ... +90 °C (connector)
<b>Connector diameter</b>	Max. 0.5 mm <sup>2</sup> (Q6 connector), solder Max. 1.0 mm <sup>2</sup> (Q7 connector), screw connection
<b>Cable</b>	PVC (5 x 0.25 mm <sup>2</sup> , DC-coding) (5 x 0.5 mm <sup>2</sup> , AC-coding)

## Order information

Rectangular connector Q6 (16.5 x 18.5 mm<sup>2</sup>), DC-/AC-coding

Type	Order no.	Description	Contacts	Specification	Cable	Cable length [m]
DOS-1306-W	6 006 710	Female connector	6	DC-coding	5 ... 8 mm	terminal screwed
DOL-1306-W02M	6 030 217	Female connector	6	DC-coding	PVC	2
DOL-1306-W03M	6 030 218	Female connector	6	DC-coding	PVC	3
DOL-1306-W05M5	6 030 219	Female connector	6	DC-coding	PVC	5.5
DOL-1306-W10M	6 030 220	Female connector	6	DC-coding	PVC	10
DOS-1406-W	6 006 685	Female connector	6	AC-coding	5 ... 8 mm	terminal screwed
DOL-1406-W02M	6 030 221	Female connector	6	AC-coding	PVC	2
DOL-1406-W03M	6 030 222	Female connector	6	AC-coding	PVC	3
DOL-1406-W05M5	6 030 223	Female connector	6	AC-coding	PVC	5.5
DOL-1406-W10M	6 030 224	Female connector	6	AC-coding	PVC	10

Rectangular connector Q7 (24 x 30 mm<sup>2</sup>), DC-/AC-coding

Type	Order no.	Description	Contacts	Specification	Cable	Cable length [m]
DOS-2107-W	6 006 823	Female connector	7	DC-coding	5 ... 10 mm	terminal screwed
DOS-2207-W	6 006 821	Female connector	7	AC-coding	5 ... 10 mm	terminal screwed

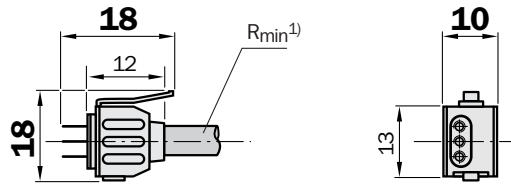
## For WLL 190T

### Connector

- Connectors for connection of WLL 190T sensors
- Gold plated pins
- Master-/Slave connector

### Dimensional drawings

DOL-LL19...M



1) Minimum bend radius in dynamic use  
 $R_{min} = 20 \times \text{cable diameter}$

## Technical data

<b>Nominal voltage U<sub>b</sub></b>	10 ... 30 V DC
<b>Nominal power</b>	100 mA (see sensor WLL 190 T)
<b>Temperature range</b>	-20 °C ... +50 °C
<b>Contact</b>	CUZn, gold plated
<b>Cable</b>	PVC, colour grey
	(3 x 0.14 mm <sup>2</sup> , master-cable)
	(1 x 0.14 mm <sup>2</sup> , slave-cable)

## Order information

## Connector for WLL 190 T

Type	Order no.	Description	Contacts	Specification	Cable	Cable length [m]
DOL-LL1903-02M	6 026 578	Male connector	3	Master, 3 active pins	PVC	2
DOL-LL1903-05M	6 028 379	Male connector	3	Master, 3 active pins	PVC	5
DOL-LL1901-02M	6 026 579	Male connector	3 (1)	Slave, 1 active pin	PVC	2
DOL-LL1901-05M	6 028 380	Male connector	3 (1)	Slave, 1 active pin	PVC	5

## Bus connector for WLL 190 T/WI 130L

Type	Order no.	Description	Contacts	Specification
STE-WLL190-03P	6 026 581	Male connector	3	Software bus
STE-WLL190-05P	6 026 580	Male connector	5	Hardware bus for wire-saving