

Dimensional drawings and order information

Screw-in system M12, 5-pin for ATM 60 DeviceNet

Cable connector M12 female, 5-pin, straight, screened

Type	Order no.	Contacts
DOS-1205-G	6 027 534	5

Cable connector M12 male, 5-pin, straight, screened

Type	Order no.	Contacts
STE-1205-G	6 027 533	5

Screw-in system M14 for ATM 90 Profibus

Type	Order no.	Explanation
DSC-1507-G	2 029 199	Cable connector male/female, Set 2 x male, 1 x female, M14, 7-pin, straight (screened)
STE-1507-G	6 027 535	Cable connector, M14 male, 7-pin, straight (screened)
DOS-1507-G	6 027 536	Cable connector, M14 female, 7-pin, straight (screened)

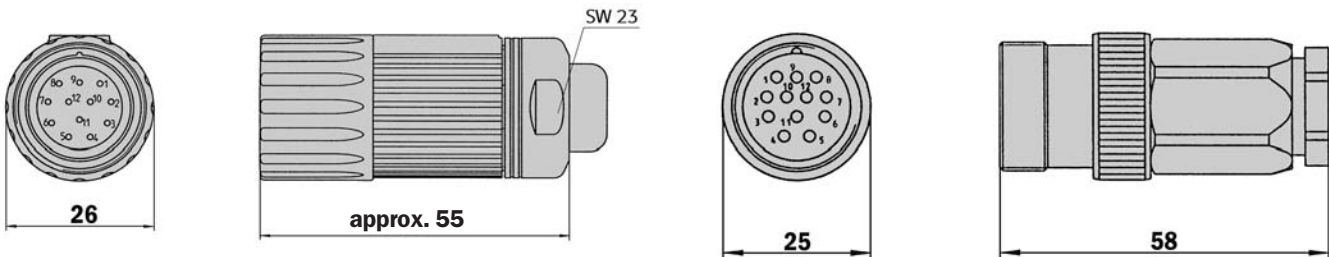
Screw-in system M23, 12-pin for ARS 60, DRS 60, DGS 60, DGS 65, DGS 66, DKV 60, DKS 40, ATM 60, ATM 90, KH 53

Female connector M23, 12-pin, straight, screened

Type	Order no.	Contacts
DOS-2312-G	6 027 538	12

Male connector M23, 12-pin, straight, screened

Type	Order no.	Contacts
STE-2312-G	6 027 537	12



Female connector M23, 12-pin, straight, cable 12-pin, 4 x 2 x 0.25 + 2 x 0.5 + 2 x 0.14 mm² with screening, capable of being dragged cable diameter 7.8 mm for ARS 60

Type	Order no.	Contacts	Cable length
DOL-2312-G1M5MA2	2 029 206	12	1.5 m
DOL-2312-G03MMA2	2 029 207	12	3.0 m
DOL-2312-G05MMA2	2 029 208	12	5.0 m
DOL-2312-G10MMA2	2 029 209	12	10.0 m
DOL-2312-G20MMA2	2 029 210	12	20.0 m
DOL-2312-G30MMA2	2 029 211	12	30.0 m

Screw-in system M23, 12-pin for ATM 60/ATM 90 with SSI interface

Connector M23 female, 12-pin, straight, cable 12 cores, 4 x 2 x 0.25 + 2 x 0.5 + 2 x 0.14 mm² screened, capable of being dragged cable diameter 7.8 mm for ATM 60/ATM 90 with SSI interface and KH 53

Type	Order no.	Contacts	Cable length
DOL-2312-G1M5MA1	2 029 200	12	1.5 m
DOL-2312-G03MMA1	2 029 201	12	3.0 m
DOL-2312-G05MMA1	2 029 202	12	5.0 m
DOL-2312-G10MMA1	2 029 203	12	10.0 m
DOL-2312-G20MMA1	2 029 204	12	20.0 m
DOL-2312-G30MMA1	2 029 205	12	30.0 m

Dimensional drawings and order information

Screw-in system M23, 12-pin

Connector M23 female, 12-pin, straight, cable 12 cores, 4 x 2 x 0.25 + 2 x 0.5 + 2 x 0.14 mm² with screening, capable of being dragged
cable diameter 7.8 mm for DRS 60, DGS 60, DGS 65, DGS 66, DKV 60, DKS 40

Type	Order no.	Contacts	Cable length
DOL-2312-G1M5MA3	2 029 212	12	1.5 m
DOL-2312-G03MMA3	2 029 213	12	3.0 m
DOL-2312-G05MMA3	2 029 214	12	5.0 m
DOL-2312-G10MMA3	2 029 215	12	10.0 m
DOL-2312-G20MMA3	2 029 216	12	20.0 m
DOL-2312-G30MMA3	2 029 217	12	30.0 m

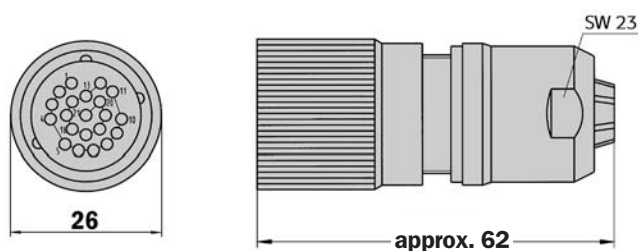
Connector M23 female, 12-pin, straight, cable 11 cores, 4 x 2 x 0.25 + 2 x 0.5 + 1 x 0.14 mm² with screening,
cable diameter 7.8 mm for DKV 60, DKS 40

Type	Order no.	Contacts	Cable length
DOL-2312-G02MLA3	2 030 682	12	2.0 m
DOL-2312-G07MLA3	2 030 685	12	7.0 m
DOL-2312-G10MLA3	2 030 688	12	10.0 m
DOL-2312-G15MLA3	2 030 692	12	15.0 m
DOL-2312-G20MLA3	2 030 695	12	20.0 m
DOL-2312-G25MLA3	2 030 699	12	25.0 m
DOL-2312-G30MLA3	2 030 702	12	30.0 m

Screw-in system M23, 21-pin for ARS 60

Female connector M23, 21-pin, straight, screened, capable of being dragged

Type	Order no.	Contacts
DOS-2321-G	6 027 539	21



Female connector M23, 21-pin, straight, cable 22 core, 20 x 0.14 + 2 x 0.5 mm² with screening, capable of being dragged
cable diameter 7.8 mm for ARS 60

Type	Order no.	Contacts	Cable length
DOL-2321-G1M5PA4	2 029 218	21	1.5 m
DOL-2321-G03MPA4	2 029 219	21	3.0 m
DOL-2321-G05MPA4	2 029 220	21	5.0 m
DOL-2321-G10MPA4	2 029 221	21	10.0 m
DOL-2321-G20MPA4	2 029 222	21	20.0 m

O-ring EPDM (for replacement demand), set (2 pieces)

55.0 x 4.0 mm for DKV 60

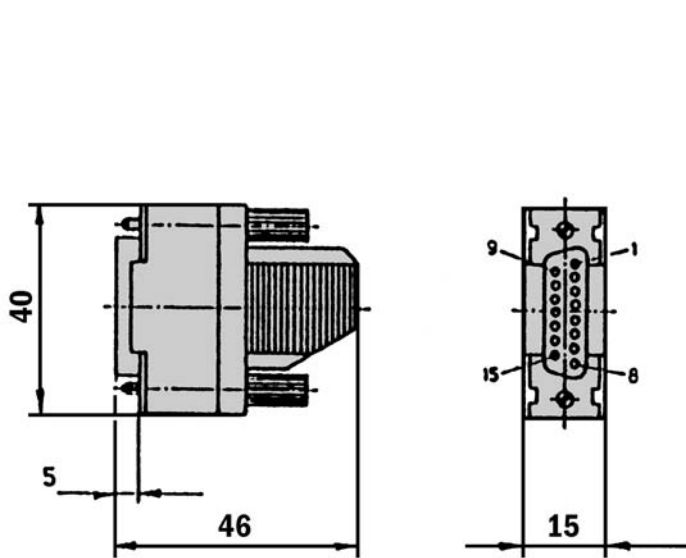
Type	Order no.
O-Ring SET DKV60	6 032 709

Dimensional drawings and order information

Screw-in systems Sub-D for Adaptor modules

Male connector Sub-D, 15-pin, straight, screened for ARS 60, ATM 60, ATM 90, KH 53

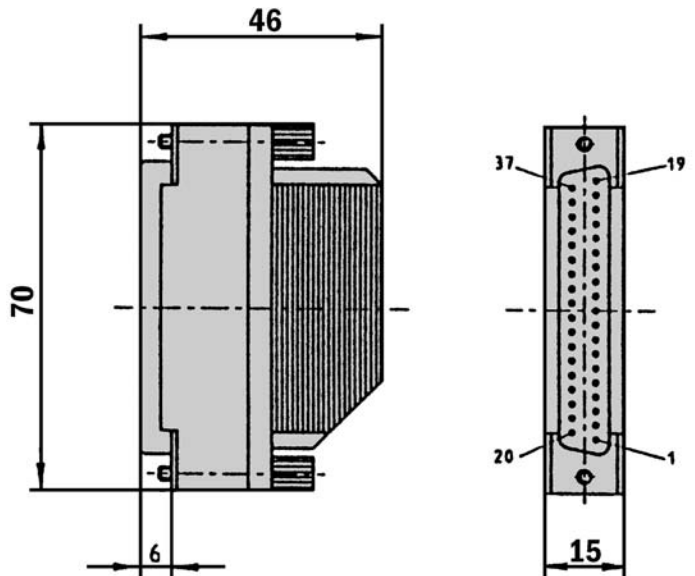
Type	Order no.	Contacts
STE-0D15-G	2 029 223	15



General tolerances according to DIN ISO 2768-mk

Female connector Sub-D, 37-pin, straight, screened for ARS 60, ATM 60, ATM 90, KH 53

Type	Order no.	Contacts
DOS-0D37-G	2 029 224	37



General tolerances according to DIN ISO 2768-mk

Cables, per meter

Cable 8 core, per meter, 4 x 2 x 0.15 mm² with screening, cable diameter 5.6 mm for ARS 60, DRS 60, DGS 60, DGS 65, DGS 66, DKV 60, DKS 40

Type	Order no.	Wires
LTG-2308-MWENC	6 027 529	8

Cable 11 core, per meter, 4 x 2 x 0.25 + 2 x 0.5 + 1 x 0.14 mm² with screening, cable diameter 7.5 mm for ARS 60, DRS 60, DGS 60, DGS 65, DGS 66, DKV 60, DKS 40

Type	Order no.	Wires
LTG-2411-MW	6 027 530	11

Cable 12 core, per meter, 4 x 2 x 0.25 + 2 x 0.5 + 2 x 0.14 mm² with screening, capable of being dragged, cable diameter 7.8 mm for ARS 60, DRS 60, DGS 60, DGS 65, DGS 66, DKV 60, DKS 40, ATM 60, ATM 90, KH 53

Type	Order no.	Wires
LTG-2512-MW	6 027 531	12
LTG-2612-MW*	6 028 516	12

*Resistant to saltwater and uv

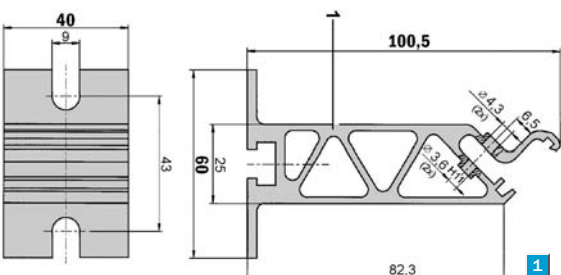
Cable 22 core, per meter, 20 x 0.14 + 2 x 0.5 mm² with screening, cable diameter 7.8 mm for ARS 60

Type	Order no.	Wires
LTG-2622-MW	6 027 532	22

Mounting systems

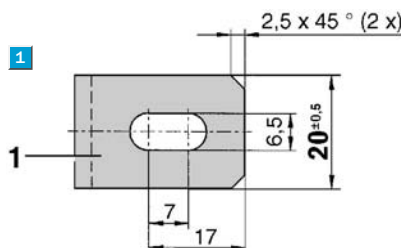
Spacer support, height 100 mm, for KH 53, bored with screws

Type	Order no.
BEF-KHK-KHT53	2 029 158



Fastening clamp for KH 53, screws not included

Type	Order no.
BEF-WK-KHT53	2 029 159



1 General tolerances according to DIN ISO 2768-mk

Dimensional drawings and order information

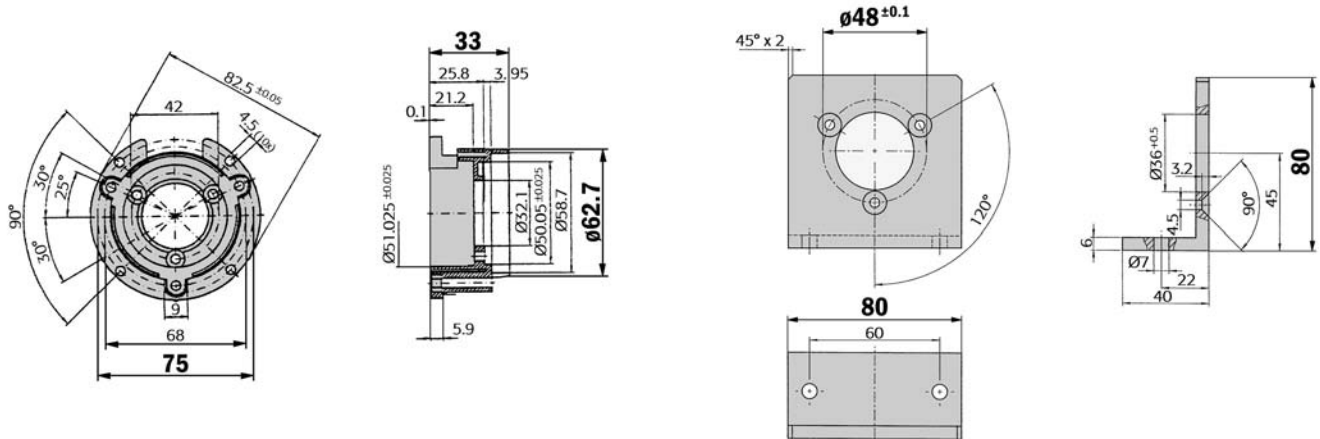
Mechanical Adaptors

Mounting bell incl. fixing set for encoder with servo flange
for ARS 60, DRS 60, DGS 60, DGS 65, DGS 66, ATM 60

Type	Order no.	Flange spigot
BEF-MG-50	5 312 987	Diameter 50 mm

Mounting angle incl. fixing set for encoder with face mount flange
for ARS 60, DRS 60, DGS 60, DGS 65, DGS 66, ATM 60

Type	Order no.	Flange spigot
BEF-WF-36	2 029 164	Diameter 36 mm



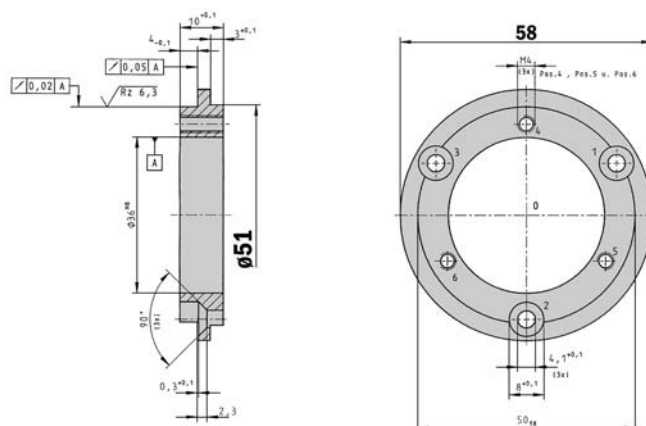
General tolerances according to DIN ISO 2768-mk

General tolerances according to DIN ISO 2768-mk

Mechanical Adaptors

Adaptor flange of aluminium for face mount flange, spigot 36 mm for ARS 60, DRS 60, DGS 60, DGS 65, DGS 66, ATM 60

Type	Order no.	Adaption
BEF-FA-036-050	2 029 160	To 50 mm servo flange

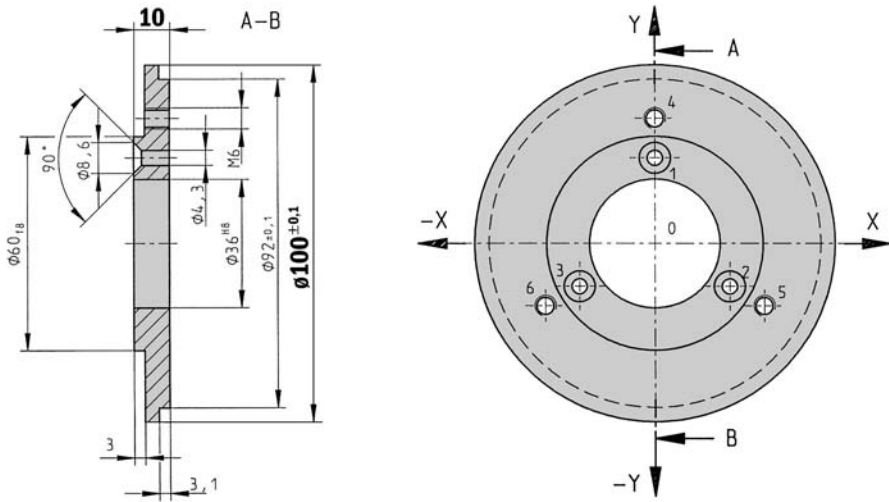


General tolerances according to DIN ISO 2768-mk

Dimensional drawings and order information

Adaptor flange of aluminium for face mount flange, spigot 36 mm for ARS 60, ATM 60

Type	Order no.	Adaption
BEF-FA-036-100	2 029 161	To 100 mm servo flange

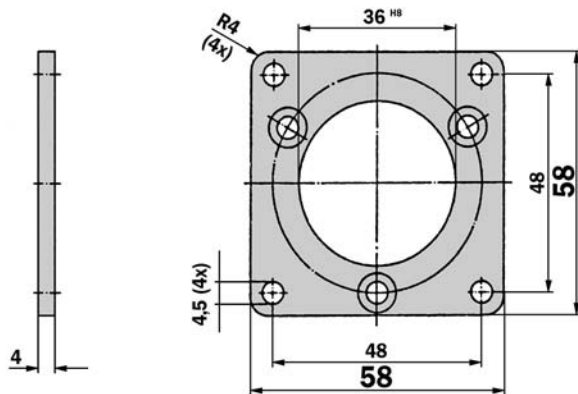


General tolerances according to DIN ISO 2768-mk

Mechanical Adaptors

Adaptor flange of aluminium for face mount flange, spigot 36 mm for ARS 60, DRS 60, DGS 60, DGS 65, DGS 66, ATM 60

Type	Order no.	Adaption
BEF-FA-036-060REC	2 029 162	To 60 mm square mounting plate



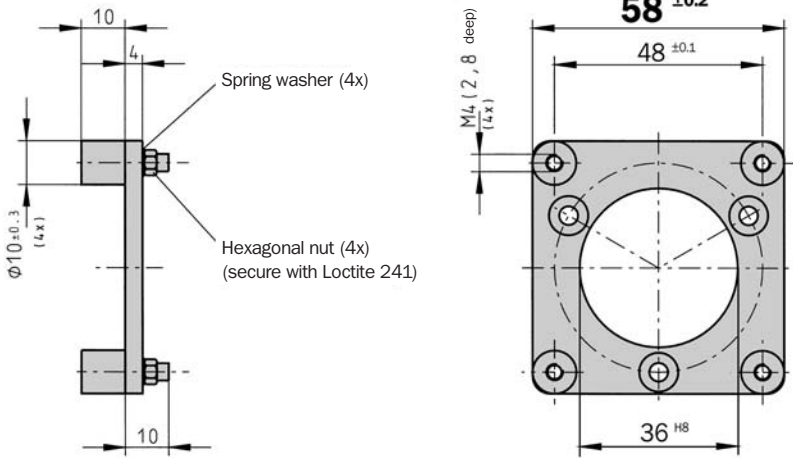
General tolerances according to DIN ISO 2768-mk

Dimensional drawings and order information

Mechanical Adaptors for DRS 60, DGS 60, DGS 65, DGS 66

Adapter flange of aluminium for face mount flange, spigot 36 mm for ARS 60, DRS 60, DGS 60, DGS 65, DGS 66, ATM 60

Type	Order no.	Adaption
BEF-FA-036-060RSA	2 029 163	To 60 mm square mounting plate with shock absorbers

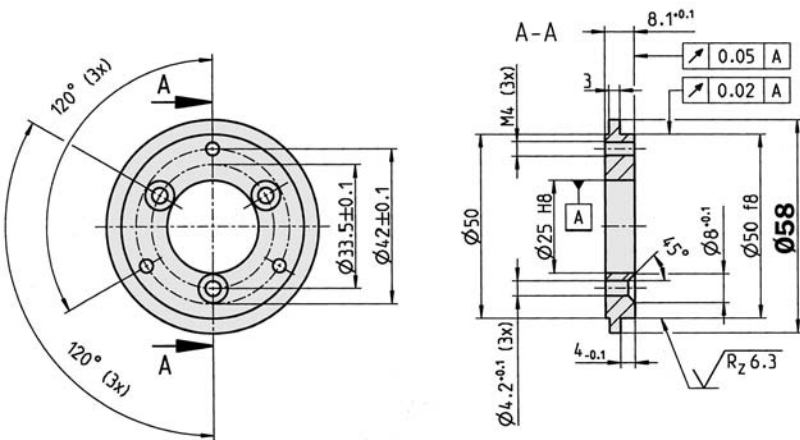


General tolerances according to DIN ISO 2768-mk

Mechanical Adaptors for DKS 40

Adapter flange of aluminium for face mount flange, spigot 25 mm

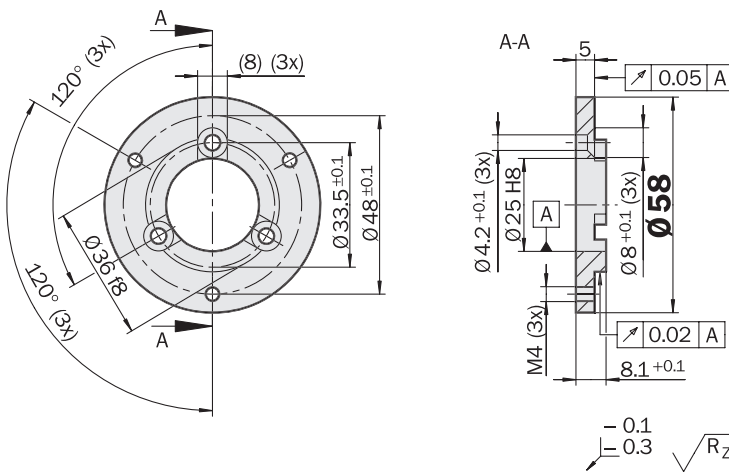
Type	Order no.	Adaption
BEF-FA-025-050	2 032 622	To 50 mm servo flange



General tolerances according to DIN ISO 2768-mk

Adapter flange of aluminium for face mount flange, spigot 36 mm for DKS 40

Type	Order no.	Adaption
BEF-FA-025-036	2 034 226	To 50 mm servo flange

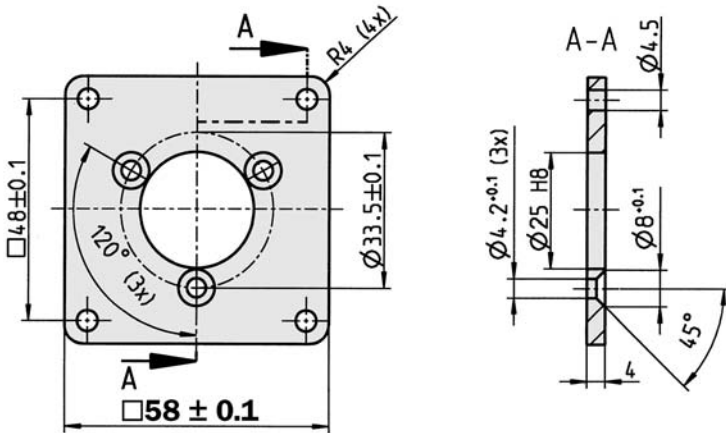


$\sqrt{R_z 16} \left(\sqrt{R_z 6.3} \right)$

General tolerances according to DIN ISO 2768-mk

Adaptor flange of aluminium for face mount flange, spigot 25 mm for DKS 40

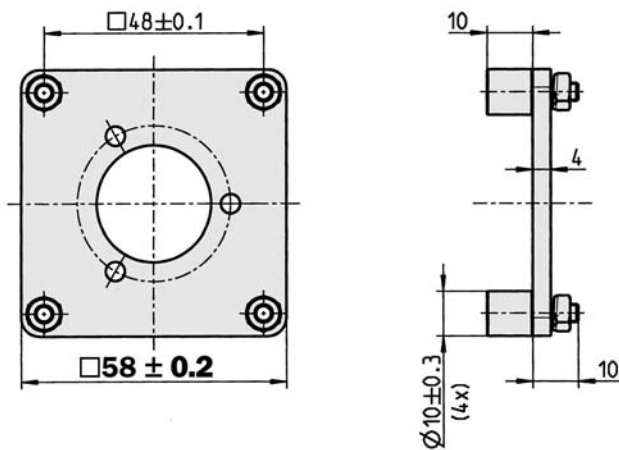
Type	Part no.	Adaption
BEF-FA-025-060RCA	2 032 623	To 60 mm square mounting plate



General tolerances according to DIN ISO 2768-mk

Adaptor flange of aluminium for face mount flange, spigot 25 mm for DKS 40

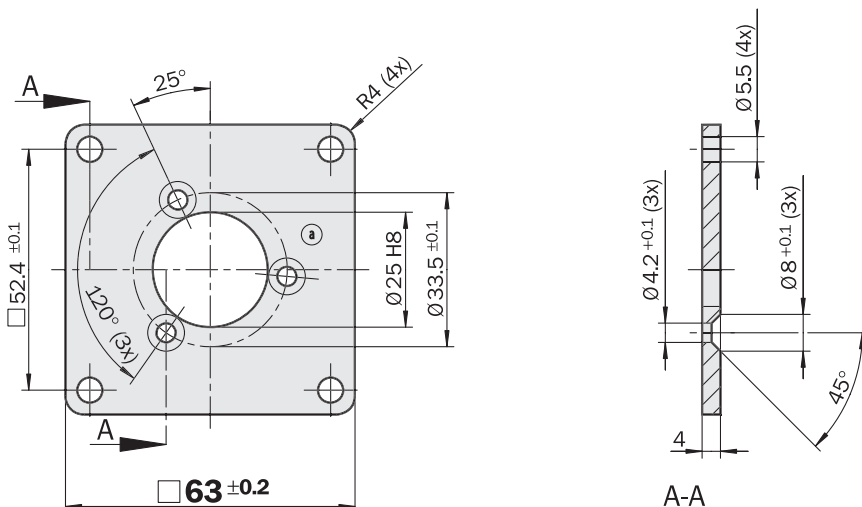
Typ	Part no.	Adaption
BEF-FA-025-060RSA	2 032 624	To 60 mm square mounting plate with shock absorbers



General tolerances according to DIN ISO 2768-mk

Adaptor flange of aluminium for face mount flange, spigot 25 mm for DKS 40

Typ	Part no.	Adaption
BEF-FA-025-063REC	2 033 631	To 63 mm square mounting plate



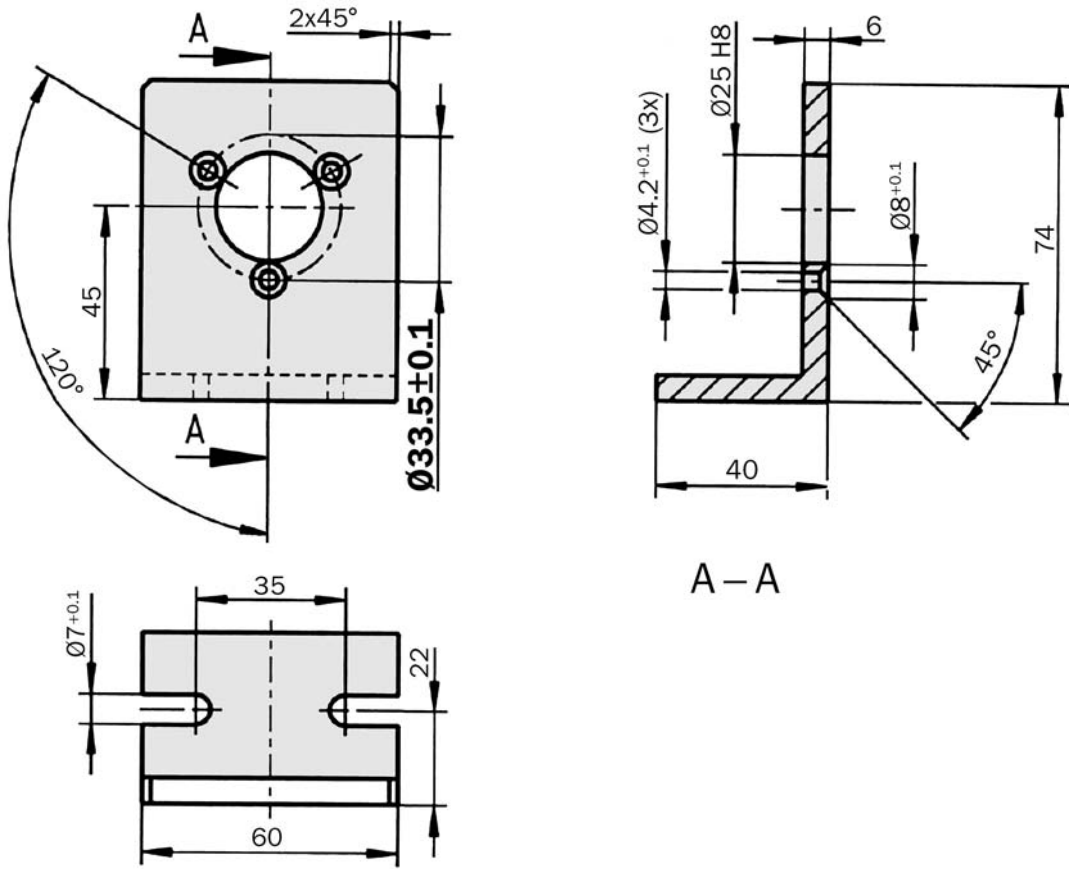
General tolerances according to DIN ISO 2768-mk

Dimensional drawings and order information

Mechanical Adaptors for DKS 40

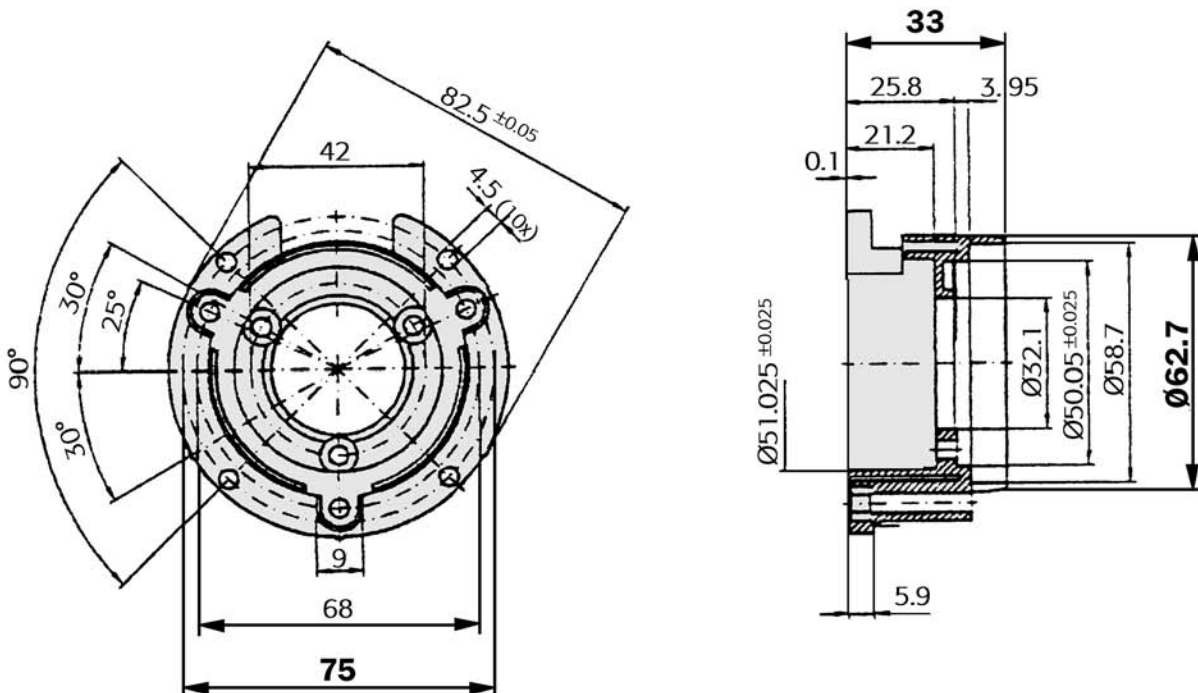
Mounting angle incl. fixing set for encoder with face mount flange

Type	Part no.	Flange spigot
BEF-WF-25	2 032 621	Diameter 25 mm



Mounting bell incl. fixing set for encoder with servo flange for DKS 40

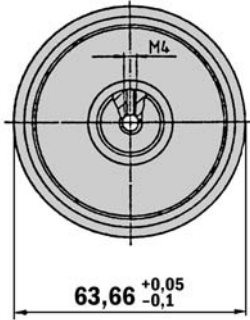
Type	Part no.	Flange spigot
BEF-MG-50	5 312 987	Diameter 50 mm



Dimensional drawings and order information

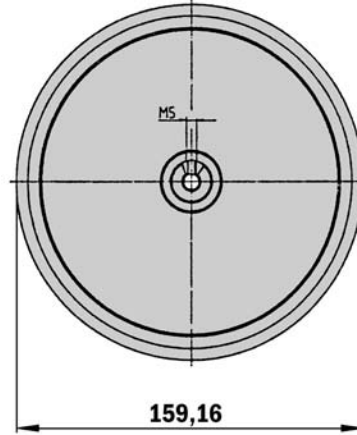
Measuring wheel for encoder shafts with diameter 10 mm, type material plastic (Hytrel), wheel material plastic with aluminium hub

Type	Order no.	Circumference
BEF-MR-010020	5 312 988	0.2 m



Measuring wheel for encoder shafts with diameter 10 mm, type material plastic (Hytrel), wheel material plastic with aluminium hub

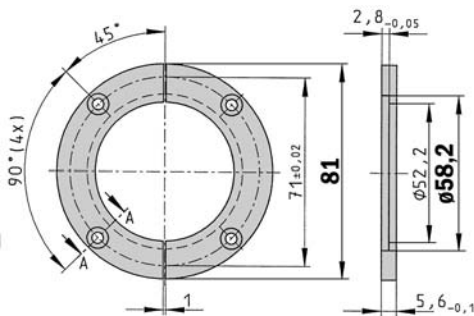
Type	Order no.	Circumference
BEF-MR-010050	5 312 989	0.5 m



Servo clamps

Servo clamps half ring, Set (comprises 2 pieces) for servo flanges with spigot diameter 50 mm for ARS 60, DRS 60, DGS 60, DGS 65, DGS 66, ATM 60

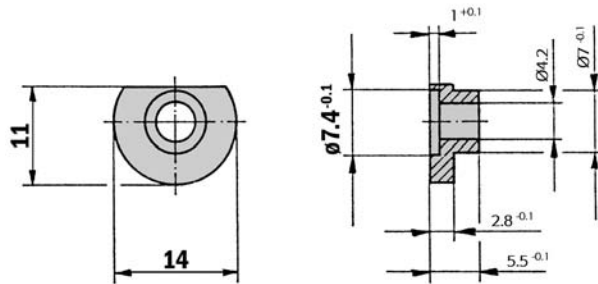
Type	Order no.
BEF-WG-SF050	2 029 165



General tolerances according to DIN ISO 2768-mk

Servo clamps small, Set (comprises 3 pieces) for servo flanges for ARS 60, DRS 60, DGS 60, DGS 65, DGS 66, ATM 60, DKS 40

Type	Order no.
BEF-WK-SF	2 029 166



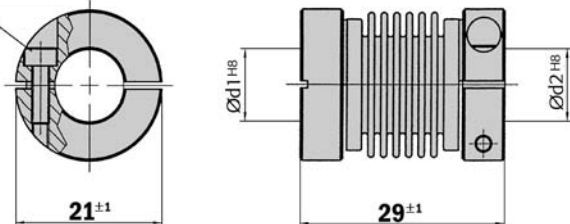
General tolerances according to DIN ISO 2768-mk

Couplings

Bellows coupling, max. shaft offset radial ± 0.3 mm, axial 0.4 mm, angle ± 4 degrees, torsion spring stiffness 120 Nm/rad, bellows of stainless steel, hubs of aluminium. For ARS 60, DRS 60, DGS 60, DGS 65, DGS 66, ATM 60, ATM 90

Type	Order no.	Shaft diameter
KUP-0606-B	5 312 981	6 mm - 6 mm
KUP-0610-B	5 312 982	6 mm - 10 mm
KUP-1010-B	5 312 983	10 mm - 10 mm
KUP-1012-B	5 312 984	10 mm - 12 mm

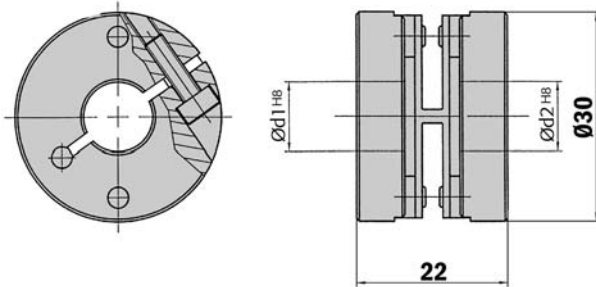
Cheese-head screw
M2,5x8 DIN912 A2



Dimensional drawings and order information

Spring-disc coupling, max. shaft offset radial ± 0.3 mm, axial 0.4 mm, angle ± 2.5 degrees, torsion spring stiffness 50 Nm/rad, flange of stainless steel, spring-discs of glass-fibre-reinforced plastic. For ARS 60, DRS 60, DGS 60, DGS 65, DGS 66, ATM 60, ATM 90

Type	Order no.	Shaft diameter
KUP-0610-F	5 312 985	6 mm - 10 mm
KUP-1010-F	5 312 986	10 mm - 10 mm

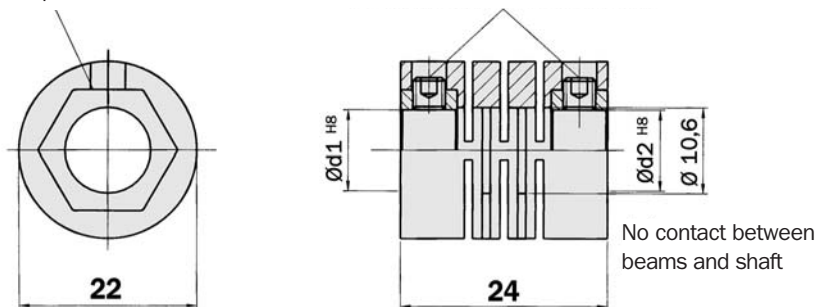


General tolerances according to DIN ISO 2768-mk

Beam coupling max. shaft displacement radially ± 0.3 mm, axially ± 0.2 mm, angular ± 3 degrees, torsional rigidity 38 Nm/rad, body: fibre glass reinforced polyamide, hubs made of brass for DKS 40

Type	Order no.	Type shaft diameter
KUP-0608-S	5 314 179	6 mm ... 8 mm
KUP-0808-S	5 314 177	8 mm ... 8 mm
KUP-0810-S	5 314 178	8 mm ... 10 mm

Shaft clamped around its circumference Cheese-head screw M 4 x 4 DIN916



Collets

Collets for blind hollow shaft for ARS 60, DRS 60, ATM 60		
Type	Order no.	Shaft diameter
SPZ-006-AD-A	2 029 174	6 mm
SPZ-1E4-AD-A	2 029 175	1/4"
SPZ-008-AD-A	2 029 176	8 mm
SPZ-3E8-AD-A	2 029 177	3/8"
SPZ-010-AD-A	2 029 178	10 mm
SPZ-012-AD-A	2 029 179	12 mm
SPZ-1E2-AD-A	2 029 180	1/2"

Collets for through hollow shaft for ARS 60, DRS 60		
Type	Order no.	Shaft diameter
SPZ-006-AD-D	2 029 192	6 mm
SPZ-1E4-AD-D	2 029 193	1/4"
SPZ-008-AD-D	2 029 194	8 mm
SPZ-3E8-AD-D	2 029 195	3/8"
SPZ-010-AD-D	2 029 196	10 mm
SPZ-012-AD-D	2 029 197	12 mm
SPZ-1E2-AD-D	2 029 198	1/2"

Collets for DGS65 blind hollow shaft encoder		
Type	Order no.	Shaft diameter
SPZ-006-DD65-A	2 029 181	6 mm
SPZ-008-DD65-A	2 029 182	8 mm
SPZ-010-DD65-A	2 029 183	10 mm
SPZ-011-DD65-A	2 019 043	11 mm
SPZ-012-DD65-A	2 029 184	12 mm
SPZ-3E8-DD65-A	2 039 227	3/8"

Collets for DGS66 through hollow shaft encoder		
Type	Order no.	Shaft diameter
SPZ-006-DD66-A	2 029 185	6 mm
SPZ-008-DD66-A	2 029 186	8 mm
SPZ-010-DD66-A	2 029 187	10 mm
SPZ-012-DD66-A	2 029 188	12 mm
SPZ-1E2-DD66-A	2 029 189	1/2"
SPZ-014-DD66-A	2 029 190	14 mm
SPZ-015-DD66-A	2 029 191	15 mm

Dimensional drawings and order information

Adaptor modules for SSI Interface

Serial-Parallel Adaptor modules

Type	Order no.	Description
AD-SSIG-PA	1 030 106	SSI-Parallel Adaptor module in plastic housing
AD-SSI-PA	1 030 107	SSI-Parallel Adaptor module without plastic housing
AD-SSIPG-PA	1 030 108	SSI-Parallel Adaptor module, programmable, in plastic housing
AD-SSIPF-PA	1 030 109	SSI-Parallel Adaptor module programmable, without plastic housing, with front plate
AD-SSIP-PA	1 030 110	SSI-Parallel Adaptor module programmable, without plastic housing, without front plate

Adaptor modules for SSI interface

Programming Tool für ATM 60/ATM 90, KH 53

Type	Order no.
PGT-01-S	1 030 111

Programming tool for Serial Parallel Adaptor for ATM 60, ATM 90 and KH 53 with SSI interface

Type	Order no.
PGT-02-S	1 030 112

Programming Tool (USB Version) for DRS 61

Type	Order no.
PGT-05-S	1 035 342



SICK