

## The 3-in-1 solution: sensor, Job-LED and reflector in one device

For assembly lines and picking;  
easy removal and fast access.

### ➔ THE JOB

- 360° visible Job-LED
- Signals the selected bin
- Optically confirms correct access
- Switchable Job-LED: permanently lit or flashing



### ➔ THE PHILOSOPHY

- No bin restriction because the sensor is mounted outside the bin
- For any bin size: The sensor may be mounted horizontally or vertically
- Ergonomic, no injury risk
- Stable aluminium housing





## THE CONCEPT


The reflective foil on the back of the sensor simultaneously acts as a reflector for the adjacent Pick2Light:

- Avoids additional assembly and cabling
- Saves costs
- Protected from reflections and ambient light
- Ranges up to 2 metres are possible



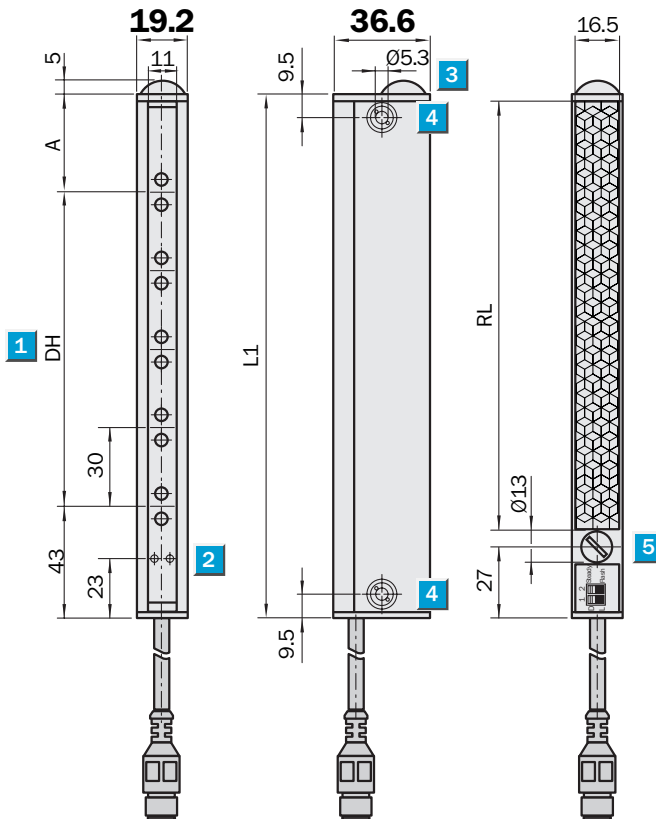
## THE FLEXIBILITY

- 5 different sensor heights, depending on bin contents
- 2 fixing screws are sufficient
- Slides easily in the profile
- For T slots, Bosch profiles, ITEM profiles etc.


**2 m range**  
**PLG pick2light**

- Picking light grid
- Reliable hand detection
- Easy set up
- Industrial housing
- Steady/flashing Job-LED
- Light/dark switching

### Dimensional drawing

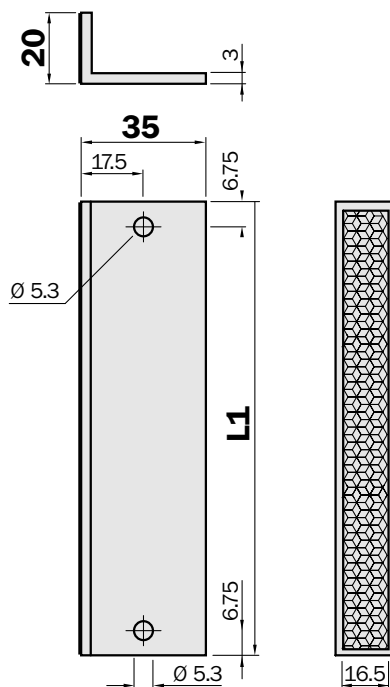


DH	A	L1	RL
120	36	199	162
210	26	279	242
270	36	349	312
360	26	429	392
420	36	499	462

- 1** Detection height (DH)  
120 to 420 mm
- 2** Indicator Power On: green;  
beam status: yellow
- 3** Green Job-LED
- 4** Configuration switches
- 5** Mounting holes Ø 5.3 mm



### Reflector, Diamond Grade on aluminium profile for Pick2Light, same mask as sensor



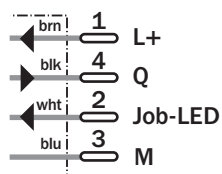
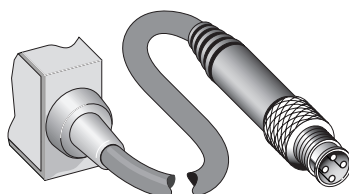
Type	Order no.	L1
REF-PLG120	1 029 196	194.3
REF-PLG210	1 029 197	274.3
REF-PLG270	1 029 198	344.3
REF-PLG360	1 029 199	424.3
REF-PLG420	1 029 200	494.3

### See chapter Accessories

- Cables and connectors
- Reflectors
- Mounting brackets (on request)

### Connection types

PLG3-xxxF431



M12, 4-pin, with 280 mm cable



Technical data		PLG3-	120 F431	210 F431	270 F431	360 F431	420 F431					
<b>Scanning range, typ. max.</b>	0.1 ... 1.5 m/REF-PLG											
	0.1 ... 2.0 m/PL150											
<b>Detection height</b>	120 mm											
	210 mm											
	270 mm											
	360 mm											
	420 mm											
<b>Supply voltage V<sub>s</sub></b>	15 ... 30 V DC <sup>1)</sup>											
Residual ripple	< 10 % within V <sub>s</sub> tolerances											
Current consumption <sup>2)</sup> sender	Typ. 45 mA											
	Job LED	Typ. 10 mA										
Light source	LED, visible red light											
<b>Connection</b>	M12, 4-pin with 280 mm cable											
<b>Switching output <sup>3)</sup></b>	PNP output: Q											
Operating mode	Dark & light switching (per switch)											
Output current I <sub>A</sub> max.	100 mA											
Output load	Capacitive load: 100 nF/											
	Inductive load: 1 H											
<b>Response time <sup>4)</sup></b>	< 100 ms											
Initialisation period	Max. 600 ms											
<b>Input Job LED activate</b>	Input to V <sub>s</sub> (15 ... 30 V DC)											
Input current I <sub>A</sub> max.	12 mA											
<b>VDE protection class</b>	⊠											
<b>Circuit protection <sup>5)</sup></b>	A, B, C											
<b>Enclosure rating</b>	IP 54											
<b>Ambient temperature T<sub>A</sub></b>	Operation -10 ... +55 °C											
	Storage -25 ... +70 °C											
<b>Mechanical resistance</b>	Vibration: 5 g/10-55/s - IEC 68-2-6											
	Shock: 10 g/16 ms - IEC 68-2-29											
<b>Weight</b>	Approx. 200 g <sup>6)</sup>											
<b>Material</b>	Housing	Aluminium, anodized										
	Front lens	PMMA										

- 1) Limit values
- 2) Without load at V<sub>s</sub> = 24 V, without Job LED
- 3) NPN on request
- 4) With resistive load
- 5) A = V<sub>s</sub>-connection, reverse polarity protected  
B = Outputs short-circuit protected  
C = Interference suppression
- 6) Increment: 50 g / 50 mm detection height

Optical performance						
Beam spacing	Detection height	MDO: minimum detectable object size				
		in front of PLG	at 0.3 m	at 0.6 m	1.0 m	
30 mm	120 ... 420 mm	30 mm	45 mm	60 mm	80 mm	

MDO: Minimum Detectable Object size for non-moving objects measured in a direction parallel to Pick2light

Min./operating/max. range vs reflector		Configuration over switches:		Order information	
1	0.1   1.0   1.5	D	Steady	Type	Order no.
2	0.1   1.3   2.0	L	Flash	PLG3-120F431	1028953
3	0.3   1.5   2.3			PLG3-210F431	1028548
				PLG3-270F431	1029130
				PLG3-360F431	1029131
				PLG3-420F431	1029132

Reflector	Operating range	Scanning range, max. typical
1 REF-PLG	0.1 - 1.5 m	0.1 - 2.0 m
2 PL150	0.1 - 1.3 m	0.1 - 2.0 m
3 PL180	0.3 - 1.5 m	0.3 - 2.3 m