

Delivery address: Mackenrodtstraße 14,  
36039 Fulda, Germany  
Postal address: 36035 Fulda, Germany  
Phone: +49 661 6003-0  
Fax: +49 661 6003-607  
E-mail: mail@jumo.net  
Internet: www.jumo.net

JUMO House  
Temple Bank, Riverway  
Harlow, Essex CM 20 2TT, UK  
Phone: +44 1279 635533  
Fax: +44 1279 635262  
E-mail: sales@jumo.co.uk  
Internet: www.jumo.co.uk

885 Fox Chase, Suite 103  
Coatesville PA 19320, USA  
Phone: 610-380-8002  
1-800-554-JUMO  
Fax: 610-380-8009  
E-mail: info@JumoUSA.com  
Internet: www.JumoUSA.com



# Compensating and connecting cables

- compensating cables to IEC 584 and DIN 43 714
- versions from -190 to +400°C
- sheath in Teflon, silicone, PVC or fiberglass
- for single and twin thermocouples

## Compensating cables (pages 1 to 3)

When measuring temperature with thermocouples, the cold junction temperature has to be measured in addition to the thermal voltage. The cold junction temperature is acquired to the terminals of the evaluation electronics. Since this may not necessarily be identical with the temperature inside the terminal head, the thermocouple has to be extended by means of a compensating cable (no compensating cable is necessary for thermocouples type B).

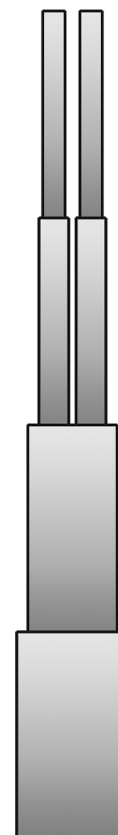
Up to 200°C, compensating cables have the same thermoelectric properties as the thermocouples themselves.

## Connecting cables (pages 4 to 8)

Connecting cables with stranded copper conductors transmit the signals from resistance thermometers or transmitters, humidity sensors, and from transducers with a standard signal, to measurement, control and recording devices.

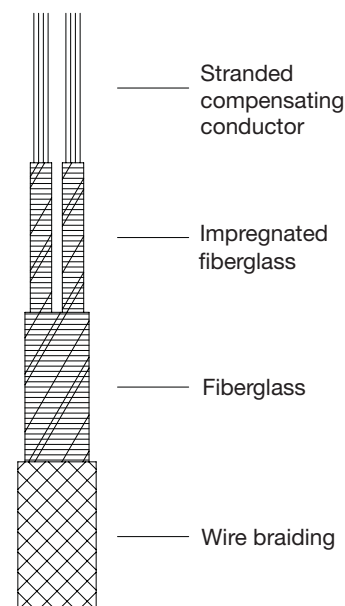
Their construction depends on the local conditions (temperature, humidity and mechanical stress).

**Note:** Please state sales no. as per price sheet 90.9723 when ordering!



## Compensating cables for dry areas temperature range: -20 to +350°C

Cross-section in mm²	Diameter in mm	Color coding/ Class	Ω/m per thermocouple	Part no.
<b>Thermocouple Fe-Con L</b>				
2x 0.22	3.5	DIN 43 714	2.50	00006479 ● <sup>2</sup>
2x 0.50	4.7	DIN 43 714	1.25	00017856 ● <sup>1</sup>
4x 0.22	3.7	DIN 43 714	2.50	00017857 ● <sup>2</sup>
<b>Thermocouple Fe-Con J</b>				
2x 0.22	3.5	IEC 584/Ci. 1	2.50	00341902 ● <sup>1</sup>
2x 0.50	4.7	IEC 584/Ci. 1	1.25	00341903 ● <sup>1</sup>
<b>Thermocouple NiCr-Ni K</b>				
2x 0.50	4.7	IEC 584/Ci. 2	2.00	00017858 ● <sup>1</sup>
4x 0.50	3.7	IEC 584/Ci. 2	2.00	00017860 ● <sup>2</sup>
<b>Thermocouple Pt10Rh-Pt S</b>				
2x 0.50	4.7	IEC 584/Ci. 2	0.20	00017859 ● <sup>1</sup>
4x 0.50	3.7	IEC 584/Ci. 2	0.20	00017861 ● <sup>2</sup>



● available from stock  
1. with galvanized steel braiding  
2. with stainless steel braiding

Delivery address: Mackenrodtstraße 14,  
36039 Fulda, Germany  
Postal address: 36035 Fulda, Germany  
Phone: +49 661 6003-0  
Fax: +49 661 6003-607  
E-mail: mail@jumo.net  
Internet: www.jumo.net

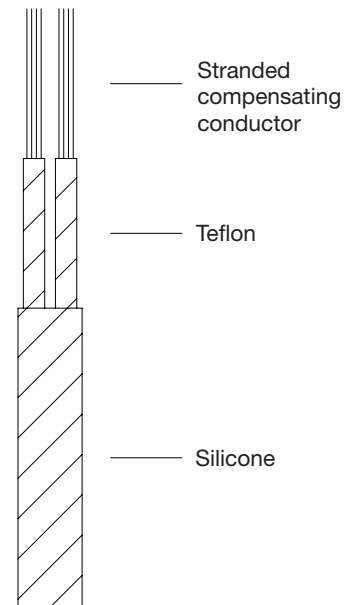
JUMO House  
Temple Bank, Riverway  
Harlow, Essex CM 20 2TT, UK  
Phone: +44 1279 635533  
Fax: +44 1279 635262  
E-mail: sales@jumo.co.uk  
Internet: www.jumo.co.uk

885 Fox Chase, Suite 103  
Coatesville PA 19320, USA  
Phone: 610-380-8002  
1-800-554-JUMO  
Fax: 610-380-8009  
E-mail: info@JumoUSA.com  
Internet: www.JumoUSA.com



## Compensating cables for dry and damp areas temperature range: -50 to +180°C

Cross-section in mm <sup>2</sup>	Diameter in mm	Color coding/Class	Ω/m per thermocouple	Part no.
<b>Thermocouple Fe-Con L</b>				
2x 0.50	4.7	DIN 43 714	1.25	00017846 ●
4x 0.22	4.7	DIN 43 714	2.50	00017848 ●
<b>Thermocouple NiCr-Ni K</b>				
2x 0.22	3.2	IEC 584/Cl. 2	4.50	00052898 ●
2x 0.50	4.7	IEC 584/Cl. 2	2.00	00017847 ●
4x 0.22	4.7	IEC 584/Cl. 2	4.00	00017849 ●



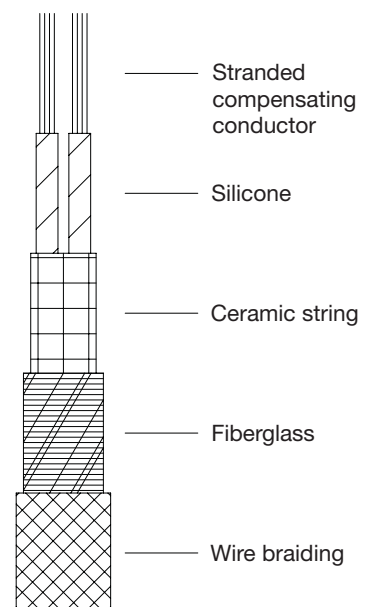
● available from stock

909723

Item 2

## Compensating cables for dry and damp areas temperature range: -50 to +180°C

Cross-section in mm <sup>2</sup>	Diameter in mm	Color coding/Class	Ω/m per thermocouple	Part no.
<b>Thermocouple Fe-Con L</b>				
2x 1.50	6.7	DIN 43 714	0.42	00017853 ● <sup>1</sup>
<b>Thermocouple NiCr-Ni K</b>				
2x 1.50	6.7	IEC 584/Cl. 2	0.70	00017854 ● <sup>1</sup>
<b>Thermocouple Pt10Rh-Pt S</b>				
2x 1.50	6.7	IEC 584/Cl. 2	0.07	00017855 ● <sup>1</sup>



● available from stock 1. with galvanized steel braiding

909723

Item 3

Delivery address: Mackenrodtstraße 14,  
36039 Fulda, Germany  
Postal address: 36035 Fulda, Germany  
Phone: +49 661 6003-0  
Fax: +49 661 6003-607  
E-mail: mail@jumo.net  
Internet: www.jumo.net

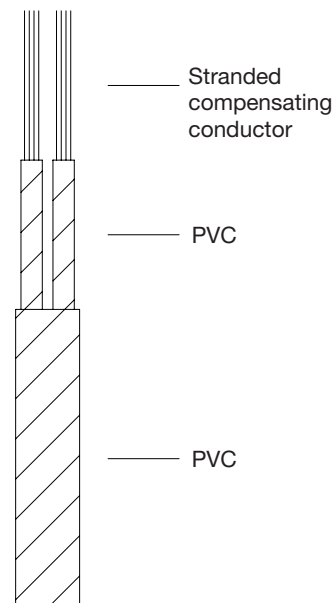
JUMO House  
Temple Bank, Riverway  
Harlow, Essex CM 20 2TT, UK  
Phone: +44 1279 635533  
Fax: +44 1279 635262  
E-mail: sales@jumo.co.uk  
Internet: www.jumo.co.uk

885 Fox Chase, Suite 103  
Coatesville PA 19320, USA  
Phone: 610-380-8002  
1-800-554-JUMO  
Fax: 610-380-8009  
E-mail: info@JumoUSA.com  
Internet: www.JumoUSA.com



## Compensating cables for dry and damp areas temperature range: +5 to +105°C

Cross-section in mm <sup>2</sup>	Diameter in mm	Color coding	Ω/m per thermocouple	Part no.
<b>Thermocouple Fe-Con L</b>				
2x 0.22	3.7	DIN 43 714	2.50	00038959 ●



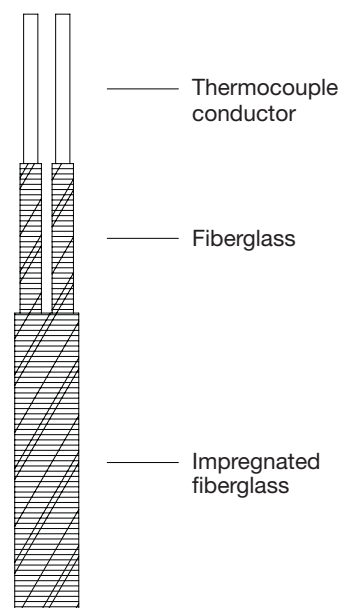
● available from stock

909723

Item 4

## Compensating cables for dry areas temperature range: -20 to +350°C

Cross-section in mm <sup>2</sup>	Ext. dimension in mm	Color coding/ Class	Ω/m per thermocouple	Part no.
<b>Thermocouple Fe-Con L</b>				
2x 0.19	1.20 x 1.85	DIN 43 714	3.20	00010497 ●
<b>Thermocouple NiCr-Ni K</b>				
2x 0.19	1.20 x 2.00	IEC 584/Cl. 2	5.20	00060294 ●



● available from stock

909726

Item 5

Delivery address: Mackenrodtstraße 14,  
36039 Fulda, Germany  
Postal address: 36035 Fulda, Germany  
Phone: +49 661 6003-0  
Fax: +49 661 6003-607  
E-mail: mail@jumo.net  
Internet: www.jumo.net

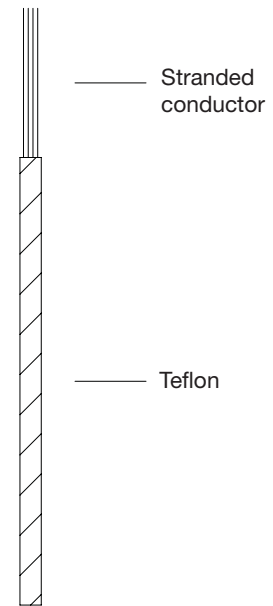
JUMO House  
Temple Bank, Riverway  
Harlow, Essex CM 20 2TT, UK  
Phone: +44 1279 635533  
Fax: +44 1279 635262  
E-mail: sales@jumo.co.uk  
Internet: www.jumo.co.uk

885 Fox Chase, Suite 103  
Coatesville PA 19320, USA  
Phone: 610-380-8002  
1-800-554-JUMO  
Fax: 610-380-8009  
E-mail: info@JumoUSA.com  
Internet: www.JumoUSA.com



## Connecting cables (single conductor) for dry and damp areas temperature range: -190 to +260 °C

Cross-section in mm <sup>2</sup>	Diameter in mm	Ω/m per conductor	Part no.
1x 0.22	1.2	0.0869	00020778 ●



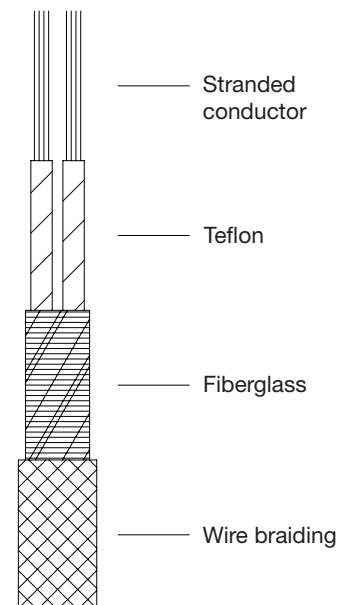
● available from stock

909723

Item 6

## Connecting cables for dry and damp areas temperature range: -50 to +260 °C

Cross-section in mm <sup>2</sup>	Diameter in mm	Ω/m per conductor	Part no.
2x 0.35	3.7	0.055	00011944 ● <sup>2</sup>
3x 0.35	3.8	0.055	00048074 ● <sup>2</sup>
4x 0.35	3.8	0.055	00006235 ● <sup>2</sup>
6x 0.22	4.7	0.080	00084534 ● <sup>2</sup>



● available from stock 2. with stainless steel braiding

909723

Item 7

Delivery address: Mackenrodtstraße 14,  
36039 Fulda, Germany  
Postal address: 36035 Fulda, Germany  
Phone: +49 661 6003-0  
Fax: +49 661 6003-607  
E-mail: mail@jumo.net  
Internet: www.jumo.net

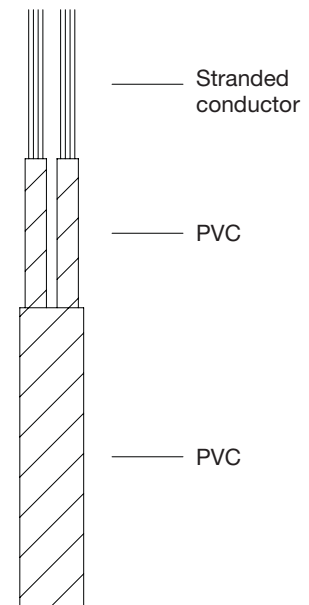
JUMO House  
Temple Bank, Riverway  
Harlow, Essex CM 20 2TT, UK  
Phone: +44 1279 635533  
Fax: +44 1279 635262  
E-mail: sales@jumo.co.uk  
Internet: www.jumo.co.uk

885 Fox Chase, Suite 103  
Coatesville PA 19320, USA  
Phone: 610-380-8002  
1-800-554-JUMO  
Fax: 610-380-8009  
E-mail: info@JumoUSA.com  
Internet: www.JumoUSA.com



## Connecting cables for dry and damp areas temperature range: -5 to +80°C

Cross-section in mm <sup>2</sup>	Diameter in mm	Ω/m per conductor	Part no.
2x 0.14	3.2	0.130	00052058 ●
2x 0.34	4.7	0.060	00037564 ●
2x 0.75	5.7	0.025	00001478 ●
3x 0.34	4.7	0.060	00040122 ●
3x 0.75	6.3	0.025	00001480 ●
4x 0.14	3.7	0.130	00038186 ●
4x 0.34	4.9	0.060	00047904 ●



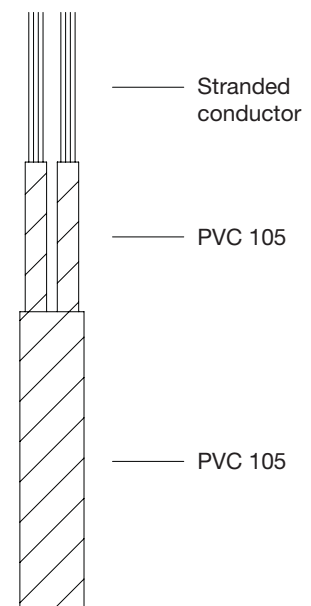
● available from stock

909723

Item 8

## Connecting cables for dry and damp areas temperature range: +5 to +105°C

Cross-section in mm <sup>2</sup>	Diameter in mm	Ω/m per conductor	Part no.
2x 0.25	4.3	0.070	00048228 ●
2x 0.34	5.3	0.060	00052804 ●
2x 0.75	6.4	0.025	00045951 ●



● available from stock

909723

Item 9

Delivery address: Mackenrodtstraße 14,  
36039 Fulda, Germany  
Postal address: 36035 Fulda, Germany  
Phone: +49 661 6003-0  
Fax: +49 661 6003-607  
E-mail: mail@jumo.net  
Internet: www.jumo.net

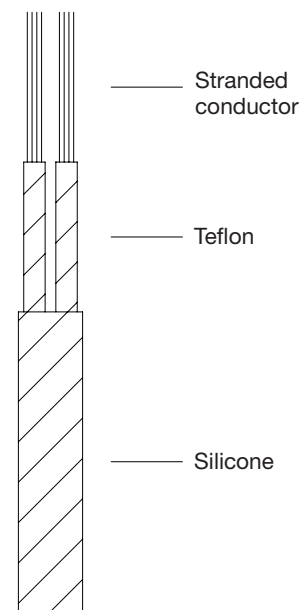
JUMO House  
Temple Bank, Riverway  
Harlow, Essex CM 20 2TT, UK  
Phone: +44 1279 635533  
Fax: +44 1279 635262  
E-mail: sales@jumo.co.uk  
Internet: www.jumo.co.uk

885 Fox Chase, Suite 103  
Coatesville PA 19320, USA  
Phone: 610-380-8002  
1-800-554-JUMO  
Fax: 610-380-8009  
E-mail: info@JumoUSA.com  
Internet: www.JumoUSA.com



**Connecting cables for dry and damp areas  
temperature range: -50 to +180°C**

Cross-section in mm <sup>2</sup>	Diameter in mm	Ω/m per conductor	Part no.
2x 0.22	4.2	0.081	00047713 ●
2x 0.34	4.6	0.060	00037101 ●
3x 0.35	4.6	0.055	00039901 ●
4x 0.14	3.8	0.130	00037843 ●
4x 0.35	4.8	0.055	00064944 ●
6x 0.14	4.7	0.130	00062432 ●
6x 0.22	6.3	0.085	00043990 ●



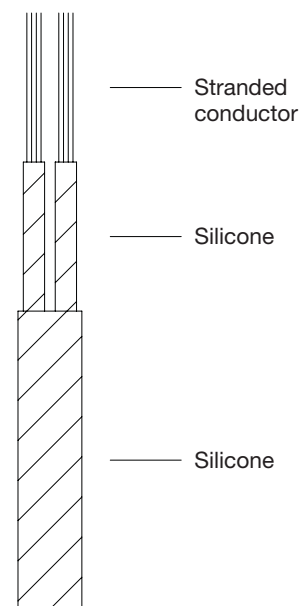
● available from stock

909723

Item 10

**Connecting cables for dry and damp areas  
temperature range: -50 to +180°C**

Cross-section in mm <sup>2</sup>	Diameter in mm	Ω/m per conductor	Part no.
2x 0.75	6.2	0.025	00001487 ●
4x 0.75	7.8	0.025	00001492 ●



● available from stock

909723

Item 11

Delivery address: Mackenrodtstraße 14,  
36039 Fulda, Germany  
Postal address: 36035 Fulda, Germany  
Phone: +49 661 6003-0  
Fax: +49 661 6003-607  
E-mail: mail@jumo.net  
Internet: www.jumo.net

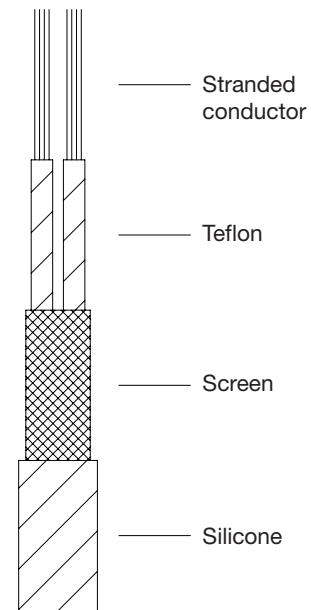
JUMO House  
Temple Bank, Riverway  
Harlow, Essex CM 20 2TT, UK  
Phone: +44 1279 635533  
Fax: +44 1279 635262  
E-mail: sales@jumo.co.uk  
Internet: www.jumo.co.uk

885 Fox Chase, Suite 103  
Coatesville PA 19320, USA  
Phone: 610-380-8002  
1-800-554-JUMO  
Fax: 610-380-8009  
E-mail: info@JumoUSA.com  
Internet: www.JumoUSA.com



## Connecting cables for dry and damp areas temperature range: -50 to +180 °C

Cross-section in mm <sup>2</sup>	Diameter in mm	Ω/m per conductor	Part no.
2x 0.22	4.5	0.085	00044774 ● <sup>5</sup>
4x 0.14	4.6	0.130	00062502 ● <sup>4</sup>
4x 0.35	6.2	0.055	00039902 ● <sup>3</sup>



3. screen: nickel-plated copper  
4. screen: silver-plated copper  
5. screen: plain copper

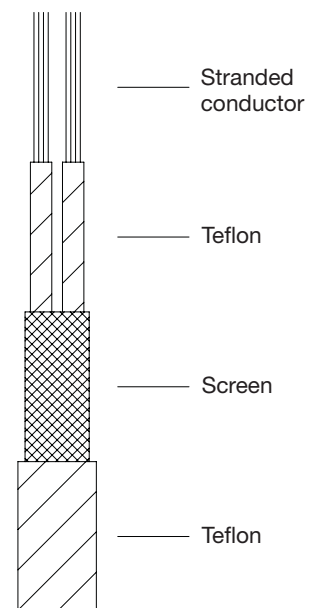
● available from stock

909723

Item 12

## Connecting cables for dry and damp areas temperature range: -190 to +260 °C

Cross-section in mm <sup>2</sup>	Diameter in mm	Ω/m per conductor	Part no.
2x 0.61	4.9	0.030	00043637 ● <sup>3</sup>
4x 0.14	3.5	0.130	00062849 ● <sup>4</sup>
4x 0.50	4.8	0.040	00045655 ● <sup>3</sup>
8x 0.14	4.8	0.130	00345480 ● <sup>3</sup>



3. screen: nickel-plated copper  
4. screen: silver-plated copper

● available from stock

909723

Item 13

Delivery address: Mackenrodtstraße 14,  
36039 Fulda, Germany  
Postal address: 36035 Fulda, Germany  
Phone: +49 661 6003-0  
Fax: +49 661 6003-607  
E-mail: mail@jumo.net  
Internet: www.jumo.net

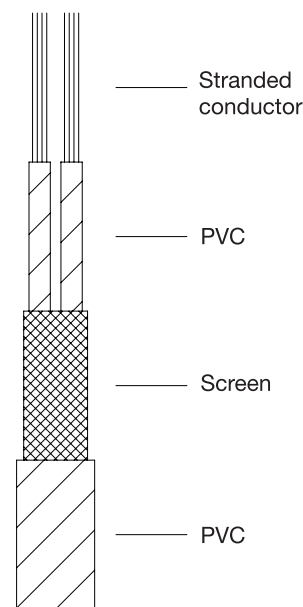
JUMO House  
Temple Bank, Riverway  
Harlow, Essex CM 20 2TT, UK  
Phone: +44 1279 635533  
Fax: +44 1279 635262  
E-mail: sales@jumo.co.uk  
Internet: www.jumo.co.uk

885 Fox Chase, Suite 103  
Coatesville PA 19320, USA  
Phone: 610-380-8002  
1-800-554-JUMO  
Fax: 610-380-8009  
E-mail: info@JumoUSA.com  
Internet: www.JumoUSA.com



## Connecting cables for dry and damp areas temperature range: -5 to +80 °C

Cross-section in mm <sup>2</sup>	Diameter in mm	Ω/m per conductor	Part no.
2x 0.14	3.7	0.130	00039272 ● <sup>6</sup>
2x 0.25	4.7	0.070	00048185 ● <sup>6</sup>
6x 0.14	4.7	0.130	00044132 ● <sup>6</sup>



● available from stock 6. screen: tinned copper

909723

Item 14

## Color coding for compensating cables and thermocables

New color coding  
to IEC 584

Old color coding  
to DIN 43 714 as of June 1979

Thermocouple	Type	Conductor color		Sheath color	Conductor color		Sheath color
		Positive limb	Negative limb		Positive limb	Negative limb	
Cu-Con	U <sup>1</sup>	red	brown	brown	red	brown	brown
Cu-Con	T	brown	white	brown	-	-	-
Fe-Con	L <sup>1</sup>	red	blue	blue	red	blue	blue
Fe-Con	J	black	white	black	-	-	-
NiCr-Ni	K	green	white	green	red	green	green
NiCr-Con	E	violet	white	violet	-	-	-
NiCrSi-NiSi	N	mauve	white	mauve	no details	-	-
Pt10Rh-Pt	S	orange	white	orange	red	white	white
Pt13Rh-Pt	R	orange	white	orange	red	white	white
Pt30Rh-Pt6Rh	B	gray	white	gray	no details	-	-

**Note:** sheath color can also be a colored thread.

1. for thermocouples to DIN 43 710.