

Delivery address: Mackenrodtstraße 14,
36039 Fulda, Germany
Postal address: 36035 Fulda, Germany
Phone: +49 661 60 03-0
Fax: +49 661 60 03-6 07
E-mail: mail@jumo.net
Internet: www.jumo.de

JUMO House
Temple Bank, Riverway
Harlow, Essex CM20 2TT, UK
Phone: +44 12 79 63 55 33
Fax: +44 12 79 63 52 62
E-mail: sales@jumo.co.uk

885 Fox Chase, Suite 103
Coatesville PA 19320, USA
Phone: 610-380-8002
1-800-554-JUMO
Fax: 610-380-8009
E-mail: info@JumoUSA.com
Internet: www.JumoUSA.com



JUMO HEATtemp

Heat meter resistance thermometers with connecting cable, PTB approved

- for temperatures from 0 to 180°C, Type Direct Short (DS), Direct Long (DL), Pocket Long (PL) and Pocket Short (PS)
- approved to calibration regulations EO 22 and EN 14 34 as interchangeable temperature probes according to AGFW regulation FW 202
- paired and certified in-house

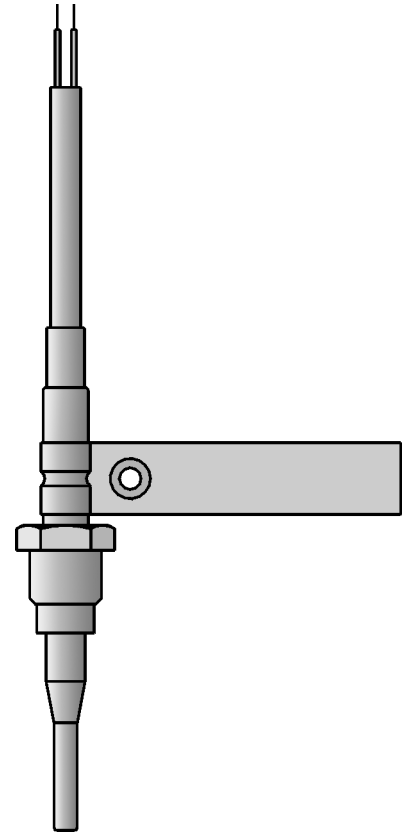
Heat meter resistance thermometers Type PS are preferably used for temperature measurement in closed pipe systems. Mounting in ball valves avoids drainage of the system for installation purposes and replacement after the end of the certification period.

The versions Type PL and PS are preferably fitted in pockets with close tolerances, which have the relevant approval. For correct temperature acquisition, it has to be ensured that the external diameter of the temperature probe matches the appropriate and approved internal diameter of the pocket.

The measuring insert is normally fitted with a Pt100 temperature sensor to EN 60 751, Class B in 2-wire circuit. Versions with Pt500 or Pt1000 are also approved. 4-wire connections can be provided.

The resistance thermometers can be measured, paired and certified at temperatures between 20 and 200°C in the in-house Heat Test Laboratory **KF2**, which has state approval, or in the accredited test laboratory.

Certification charge to Federal Legal Document No. 28 of 1st August 1996.



Technical data

Connection	cable ends available tinned or with ferrules
Connecting cable	PVC, ambient temperature -5 to +80°C PUR, ambient temperature +5 to +105°C silicone, ambient temperature -50 to +180°C maximum cable length, see table
Process connection	thread, brass and stainless steel
Protection tube	stainless steel 1.4571, 5mm, 5.2mm and 5.4mm dia. stepped down to 3.3mm dia. and 6mm dia.
Measuring insert	Pt100 temperature sensor, EN 60 751, Cl. B, 2-wire circuit
Accessories	pocket, see Data Sheet 90.2440

Delivery address: Mackenrodtstraße 14,
36039 Fulda, Germany
Postal address: 36035 Fulda, Germany
Phone: +49 661 60 03-0
Fax: +49 661 60 03-6 07
E-mail: mail@jumo.net
Internet: www.jumo.de

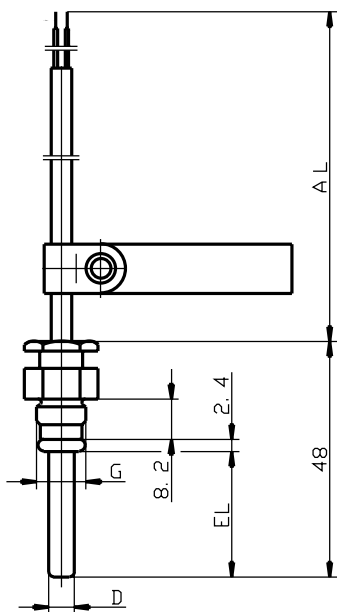
JUMO House
Temple Bank, Riverway
Harlow, Essex CM20 2TT, UK
Phone: +44 12 79 63 55 33
Fax: +44 12 79 63 52 62
E-mail: sales@jumo.co.uk

885 Fox Chase, Suite 103
Coatesville PA 19320, USA
Phone: 610-380-8002
1-800-554-JUMO
Fax: 610-380-8009
E-mail: info@JumoUSA.com
Internet: www.JumoUSA.com

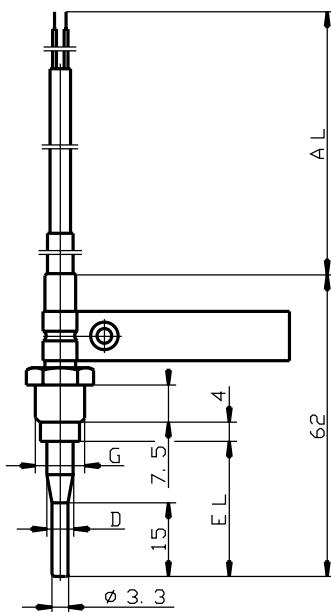


Cable cross-section	Maximum length for Pt100	Maximum length for Pt500	Maximum length for Pt1000
0.22mm ²	2500mm	12500mm	25000mm
0.34mm ²	3500mm	17500mm	35000mm
0.50mm ²	5000mm	25000mm	50000mm

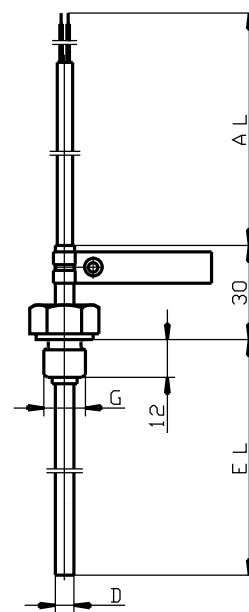
Dimensions



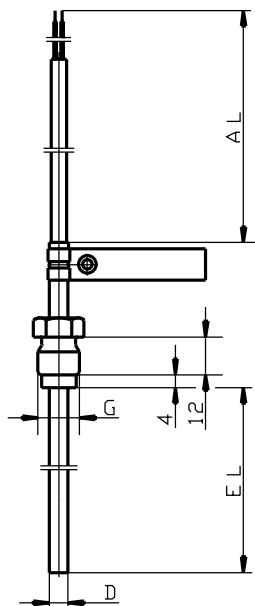
Type 902425/10 (DS)



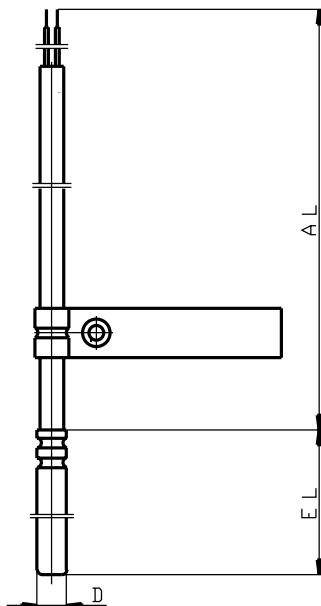
Type 902425/20 (DS)



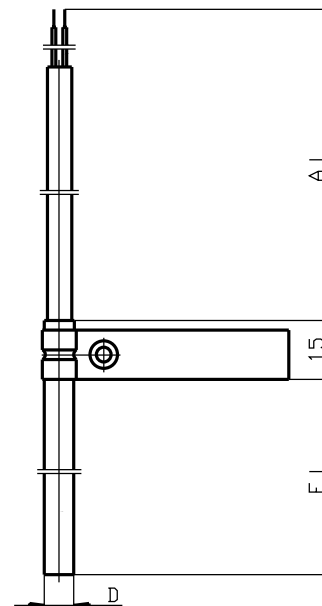
Type 902425/30 (DL)



Type 902425/40 (DL)



Type 902435/10.../20 (PS)



Type 902435/30 (PL)

Delivery address: Mackenrodtstraße 14,
36039 Fulda, Germany
Postal address: 36035 Fulda, Germany
Phone: +49 661 60 03-0
Fax: +49 661 60 03-6 07
E-mail: mail@jumo.net
Internet: www.jumo.de

JUMO House
Temple Bank, Riverway
Harlow, Essex CM20 2TT, UK
Phone: +44 12 79 63 55 33
Fax: +44 12 79 63 52 62
E-mail: sales@jumo.co.uk

885 Fox Chase, Suite 103
Coatesville PA 19320, USA
Phone: 610-380-8002
1-800-554-JUMO
Fax: 610-380-8009
E-mail: info@JumoUSA.com
Internet: www.JumoUSA.com

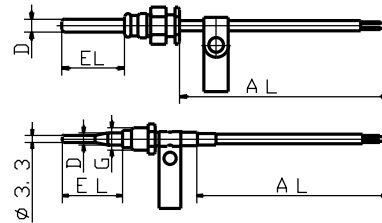


Order details: Heat meter resistance thermometers with connecting cable, PTB approved

(1) Basic version

902425/10	Screw-in resistance thermometer for direct installation (DS) with loose screw fitting and plain protection tube
-----------	---

902425/20	Screw-in resistance thermometer for direct installation (DS) with loose screw fitting and stepped protection tube
-----------	---



(2) Operating temperature in °C / connecting cable

x	x	815	0 to 105°C / PUR (2-wire circuit only)
x		824	0 to 150°C / silicone
	x	830	0 to 180°C / silicone

(3) Measuring insert

x	x	1003	1 x Pt100 in 2-wire circuit
x	x	1004	1 x Pt500 in 2-wire circuit
x	x	1005	1 x Pt1000 in 2-wire circuit

(4) Tolerance class to EN 60 751

x	x	1	Class B (standard)
x	x	2	Class A
x	x	3	Class 1/3 DIN

(5) Protection tube diameter D in mm

x		5	5mm
x		5.2	5.2mm
	x	5.4	5.4mm dia. stepped down to 3.3mm

(6) Fitting length EL in mm (26 ≤ EL ≤ 60 for Type 902425/10)

x		26	26mm
	x	27.5	27.5mm
	x	38	38mm
x		...	please specify in plain text (10mm steps)

(7) Process connection

x	x	114	thread M 10 x 1
---	---	-----	-----------------

(8) Connecting cable end

x	x	04	tinned wires
x	x	11	ferrules to DIN 46 228 Part 4 (standard)

(9) Connecting cable length AL in mm (500 ≤ AL ≤ 30000)

x	x	2500	2500mm (standard)
x	x	...	please specify in plain text (500 mm steps)

(10) Extra codes

x	x	000	no extra code
x	x	317	shielded connecting cable
x		318	coiled cable (PUR only)
x	x	340	version paired to EN 14 34
x	x	341	version paired to EN 14 34, certified

Order code	(1)	(2)	(3)	(4)	(5)	(6)	(7)	(8)	(9)	(10)	...								
Order example	902425/10	-	824	-	1003	-	1	-	5,2	-	26	-	114	-	11	-	2500	/	000 ¹

1. List extra codes in sequence, separated by commas.

Delivery address: Mackenrodtstraße 14,
36039 Fulda, Germany
Postal address: 36035 Fulda, Germany
Phone: +49 661 60 03-0
Fax: +49 661 60 03-6 07
E-mail: mail@jumo.net
Internet: www.jumo.de

JUMO House
Temple Bank, Riverway
Harlow, Essex CM20 2TT, UK
Phone: +44 12 79 63 55 33
Fax: +44 12 79 63 52 62
E-mail: sales@jumo.co.uk

885 Fox Chase, Suite 103
Coatesville PA 19320, USA
Phone: 610-380-8002
1-800-554-JUMO
Fax: 610-380-8009
E-mail: info@JumoUSA.com
Internet: www.JumoUSA.com

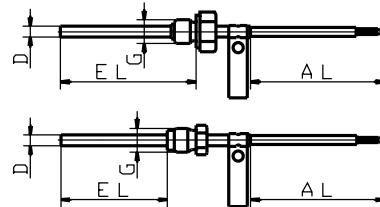


Order details: Heat meter resistance thermometers with connecting cable, PTB approved

(1) Basic version

902425/30 Screw-in resistance thermometer for direct installation (DL) with fixed screw fitting and plain protection tube

902425/40 Screw-in resistance thermometer for direct installation (DL) with loose screw fitting and plain protection tube



		(2) Operating temperature in °C / connecting cable
x	x	830 0 to 180°C / silicone
		(3) Measuring insert
x	x	1003 1 x Pt100 in 2-wire circuit
x	x	1004 1 x Pt500 in 2-wire circuit
x	x	1005 1 x Pt1000 in 2-wire circuit
x	x	1011 1 x Pt100 in 4-wire circuit
x	x	1012 1 x Pt500 in 4-wire circuit
x	x	1013 1 x Pt1000 in 4-wire circuit
		(4) Tolerance class to EN 60 751
x	x	1 Class B (standard)
x	x	2 Class A
x	x	3 Class 1/3 DIN
		(5) Protection tube diameter D in mm
x	x	6 6mm
x		8 8mm stepped down to 6mm
		(6) Fitting length EL in mm (85 ≤ EL ≤ 400)
x	x	85 85mm
x	x	120 120mm
x	x	210 210mm
x	x	... please specify in plain text (50mm steps)
		(7) Process connection
x	x	102 thread 1/4" pipe
x		104 thread 1/2" pipe
		(8) Connecting cable end
x	x	04 tinned wires
x	x	11 ferrules to DIN 46 228 Part 4 (standard)
		(9) Connecting cable length AL in mm (500 ≤ AL ≤ 30000)
x	x	2500 2500mm (standard)
x	x	... please specify in plain text (500mm steps)
		(10) Extra codes
x	x	000 no extra code
x	x	317 shielded connecting cable
x	x	340 version paired to EN 14 34
x	x	341 version paired to EN 14 34, certified

Order code (1) (2) (3) (4) (5) (6) (7) (8) (9) (10) ,...

Order example 902425/30 - 830 - 1003 - 1 - 6 - 120 - 104 - 11 - 2500 / 000¹

1. List extra codes in sequence, separated by commas.

Delivery address: Mackenrodtstraße 14,
36039 Fulda, Germany
Postal address: 36035 Fulda, Germany
Phone: +49 661 60 03-0
Fax: +49 661 60 03-6 07
E-mail: mail@jumo.net
Internet: www.jumo.de

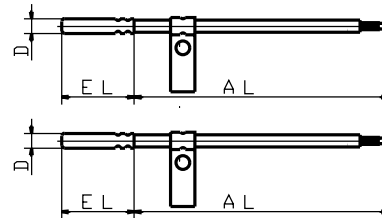
JUMO House
Temple Bank, Riverway
Harlow, Essex CM20 2TT, UK
Phone: +44 12 79 63 55 33
Fax: +44 12 79 63 52 62
E-mail: sales@jumo.co.uk

885 Fox Chase, Suite 103
Coatesville PA 19320, USA
Phone: 610-380-8002
1-800-554-JUMO
Fax: 610-380-8009
E-mail: info@JumoUSA.com
Internet: www.JumoUSA.com



Order details: Heat meter resistance thermometers with connecting cable, PTB approved

		(1) Basic version	
	902435/10	Push-in resistance thermometer (PS), stainless steel protection tube, for fitting in pocket	
	902435/20	Push-in resistance thermometer (PS), brass protection tube, for fitting in pocket	
		(2) Operating temperature in °C / connecting cable	
x	x	810	0 to 80°C / PVC (2-wire circuit only)
x	x	815	0 to 105°C / PUR (2-wire circuit only)
x	x	824	0 to 150°C / silicone
		(3) Measuring insert	
x	x	1003	1 x Pt100 in 2-wire circuit
x	x	1004	1 x Pt500 in 2-wire circuit
x	x	1005	1 x Pt1000 in 2-wire circuit
		(4) Tolerance class to EN 60 751	
x	x	1	Class B (standard)
x	x	2	Class A
x	x	3	Class 1/3 DIN
		(5) Protection tube diameter D in mm	
x		5	5mm
x		5.2	5.2mm
x	x	6	6mm
		(6) Fitting length EL in mm (45 ≤ EL ≤ 85 for Type 902435/10)	
x		45	45mm
x	x	50	50mm
x		60	60mm
x		...	please specify in plain text (5mm steps)
		(7) Connecting cable end	
x	x	04	tinned wires
x	x	11	ferrules to DIN 46 228 Part 4 (standard)
		(8) Connecting cable length AL in mm (500 ≤ AL ≤ 30000)	
x	x	2500	2500mm (standard)
x	x	...	please specify in plain text (500mm steps)
		(9) Extra codes	
x	x	000	no extra code
x	x	317	shielded connecting cable
x	x	318	coiled cable (PUR only)
x	x	340	version paired to EN 14 34
x	x	341	version paired to EN 14 34, certified



Order code (1) (2) (3) (4) (5) (6) (7) (8) (9) ,...

Order example 902435/10 - 824 - 1003 - 1 - 5 - 45 - 11 - 2500 / 000¹

1. List extra codes in sequence, separated by commas.

Delivery address: Mackenrodtstraße 14,
36039 Fulda, Germany
Postal address: 36035 Fulda, Germany
Phone: +49 661 60 03-0
Fax: +49 661 60 03-6 07
E-mail: mail@jumo.net
Internet: www.jumo.de

JUMO House
Temple Bank, Riverway
Harlow, Essex CM20 2TT, UK
Phone: +44 12 79 63 55 33
Fax: +44 12 79 63 52 62
E-mail: sales@jumo.co.uk

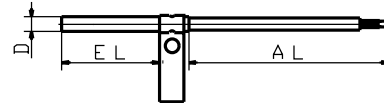
885 Fox Chase, Suite 103
Coatesville PA 19320, USA
Phone: 610-380-8002
1-800-554-JUMO
Fax: 610-380-8009
E-mail: info@JumoUSA.com
Internet: www.JumoUSA.com



Order details: Heat meter resistance thermometers with connecting cable, PTB approved

(1) Basic version

902435/30 Push-in resistance thermometer for fitting in pocket (PL), stainless steel protection tube



(2) Operating temperature in °C / connecting cable

- x 810 0 to 80°C / PVC (2-wire circuit only)
- x 815 0 to 105°C / PUR (2-wire circuit only)
- x 830 0 to 180°C / silicone

(3) Measuring insert

- x 1003 1 x Pt100 in 2-wire circuit
- x 1004 1 x Pt500 in 2-wire circuit
- x 1005 1 x Pt1000 in 2-wire circuit
- x 1011 1 x Pt100 in 4-wire circuit
- x 1012 1 x Pt500 in 4-wire circuit
- x 1013 1 x Pt1000 in 4-wire circuit

(4) Tolerance class to EN 60 751

- x 1 Class B (standard)
- x 2 Class A
- x 3 Class 1/3 DIN

(5) Protection tube diameter D in mm

- x 6 6mm

(6) Fitting length EL in mm (85 ≤ EL ≤ 400)

- x 85 85mm
- x 105 105mm
- x 140 140mm
- x 230 230mm
- x ... please specify in plain text (50mm steps)

(7) Connecting cable end

- x 04 tinned wires
- x 11 ferrules to DIN 46 228 Part 4 (standard)

(8) Connecting cable length AL in mm (500 ≤ EL ≤ 30000)

- x 2500 2500mm (standard)
- x ... please specify in plain text (500mm steps)

(9) Extra codes

- x 000 no extra code
- x 317 shielded connecting cable
- x 340 version paired to EN 14 34
- x 341 version paired to EN 14 34, certified

Order code (1) - (2) - (3) - (4) - (5) - (6) - (7) - (8) / (9)
Order example 902435/30 - 830 - 1003 - 1 - 6 - 140 - 11 - 2500 / 000¹

1. List extra codes in sequence, separated by commas .

Note: Installation locations and pockets, see Data Sheet 90.2440

Measurement and certification charge for resistance thermometers to Federal Legal Document No. 28 of 1st August 1996.

Stock versions:

(1) - (2) - (3) - (4) - (5) - (6) - (7) - (8) / (9) Sales No.
 902435/30 - 830 - 1003 - 1 - 6 - 140 - 11 - 2500 / 000 90/00306816