

JUMO GmbH & Co. KG
Delivery address: Mackenrodtstraße 14,
36039 Fulda, Germany
Postal address: 36035 Fulda, Germany
Phone: +49 661 6003-0
Fax: +49 661 6003-607
e-mail: mail@jumo.net
Internet: www.jumo.net

JUMO Instrument Co. Ltd.
JUMO House
Temple Bank, Riverway
Harlow, Essex CM 20 2TT, UK
Phone: +44 1279 635533
Fax: +44 1279 635262
e-mail: sales@jumo.co.uk
Internet: www.jumo.co.uk

JUMO Process Control, Inc.
8 Technology Boulevard
Canastota, NY 13031, USA
Phone: 315-697-JUMO
1-800-554-JUMO
Fax: 315-697-5867
e-mail: info@jumo.us
Internet: www.jumo.us

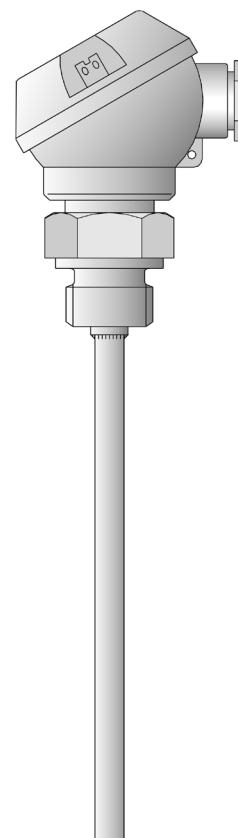


Screw-in resistance thermometers with terminal head Form J

- for temperatures from -50 to +400°C
- as single or twin resistance thermometer
- available with transmitter

Screw-in resistance thermometers are preferred for measuring temperatures in liquids and gases. An important selection criterion is their reliable sealing against both positive and negative pressures. Applications include HVAC and refrigeration, as well as heating installations, ovens, furnaces and plant engineering.

The measuring insert is normally fitted with a Pt100 temperature sensor to EN 60 751, Class B in 2-wire circuit. Versions with Pt500 or Pt1000 are also available. There is a choice of 3-wire and 4-wire circuit connections. A transmitter can optionally be integrated into the terminal head.



Technical data

Terminal head

Form J, aluminium die-casting, M 16x1.5; IP54, ambient temperature -40 to +100°C
Caution: reduced ambient temperature when using transmitters,
Data Sheet 70.7030

Process connection

thread, stainless steel 1.4571

Protection tube

stainless steel 1.4571, 6mm, 7mm and 8mm dia.

Measuring insert

Pt100 temperature sensor, EN 60 751, Cl. B, 2-wire circuit

Response times

$t_{0.9}$ = 14sec, in water 0.2m/sec, 7mm dia.

Transmitter

analog transmitter, output 4 - 20mA, Data Sheet 70.7030

Accessories

pocket, see Data Sheet 90.9721

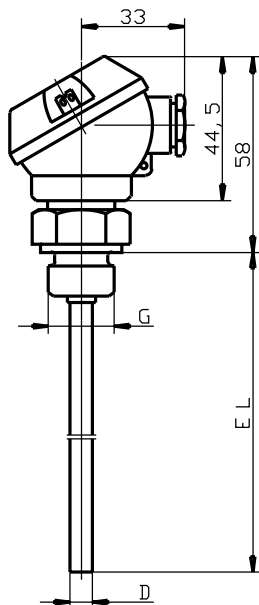
JUMO GmbH & Co. KG
 Delivery address: Mackenrodtstraße 14,
 36039 Fulda, Germany
 Postal address: 36035 Fulda, Germany
 Phone: +49 661 6003-0
 Fax: +49 661 6003-607
 e-mail: mail@jumo.net
 Internet: www.jumo.net

JUMO Instrument Co. Ltd.
 JUMO House
 Temple Bank, Riverway
 Harlow, Essex CM 20 2TT, UK
 Phone: +44 1279 635533
 Fax: +44 1279 635262
 e-mail: sales@jumo.co.uk
 Internet: www.jumo.co.uk

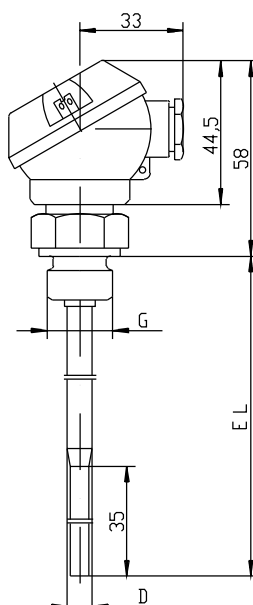
JUMO Process Control, Inc.
 8 Technology Boulevard
 Canastota, NY 13031, USA
 Phone: 315-697-JUMO
 1-800-554-JUMO
 Fax: 315-697-5867
 e-mail: info@jumo.us
 Internet: www.jumo.us



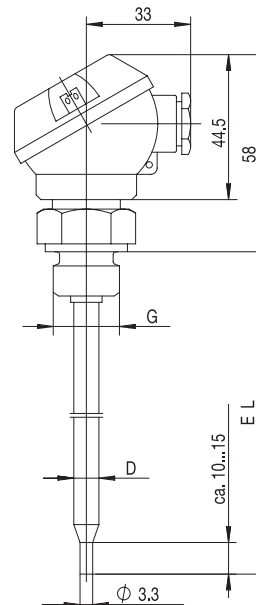
Dimensions



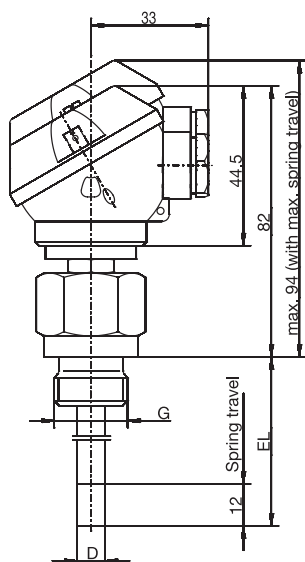
Type 902003/10



Type 902003/11



Type 902003/31



Type 902003/80

JUMO GmbH & Co. KG
 Delivery address: Mackenrodtstraße 14,
 36039 Fulda, Germany
 Postal address: 36035 Fulda, Germany
 Phone: +49 661 6003-0
 Fax: +49 661 6003-607
 e-mail: mail@jumo.net
 Internet: www.jumo.net

JUMO Instrument Co. Ltd.
 JUMO House
 Temple Bank, Riverway
 Harlow, Essex CM 20 2TT, UK
 Phone: +44 1279 635533
 Fax: +44 1279 635262
 e-mail: sales@jumo.co.uk
 Internet: www.jumo.co.uk

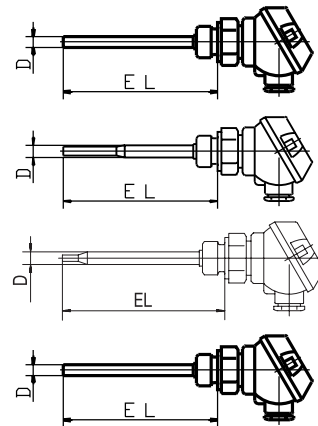
JUMO Process Control, Inc.
 8 Technology Boulevard
 Canastota, NY 13031, USA
 Phone: 315-697-JUMO
 1-800-554-JUMO
 Fax: 315-697-5867
 e-mail: info@jumo.us
 Internet: www.jumo.us



Order details: Screw-in resistance thermometers with terminal head Form J

(1) Basic version

	902003/10	Screw-in resistance thermometer with continuous protection tube
	902003/11	Screw-in resistance thermometer with stepped protection tube
	902003/31	Screw-in resistance thermometer with stepped protection tube for measurement in air
	902003/80	Screw-in resistance thermometer with spring-loaded screw fitting, 12 mm spring travel, terminal head can be rotated through 360°
	(2) Operating temperature in °C	
	x	378 -50 to +180°C
	x	380 -50 to +200°C
	x	402 -50 to +400°C
	(3) Measuring insert	
	x	1001 1 x Pt100 in 3-wire circuit
	x	1003 1 x Pt100 in 2-wire circuit
	x	1011 1 x Pt100 in 4-wire circuit
	x	2003 2 x Pt100 in 2-wire circuit
	(4) Tolerance class to EN 60 751	
	x	1 Class B (standard)
	x	2 Class A
	(5) Protection tube diameter D in mm	
	x	6 6mm
	x	7 7mm
	x	8 8mm stepped down to 6mm (basic version 902003/80 not stepped down)
	(6) Fitting length EL in mm (100 ≤ EL ≤ 1000, EL ≥ 50 for type 902003/10)	
	x	50 50mm
	x	100 100mm
	x	150 150mm
	x	250 250mm
	x	... please specify in plain text (50mm steps)
	(7) Process connection	
	x	103 thread 3/8" pipe
	x	104 thread 1/2" pipe
	(8) Extra codes	
	x	000 no extra code
	x	330 1 x analog transmitter, output 4 - 20mA ² , Data Sheet 70.7030



Order code (1) (2) (3) (4) (5) (6) (7) (8)
 - - - - - - /
Order example 902003/10 - 402 - 1001 - 1 - 7 - 100 - 104 / 000

2. please specify range in plain text

JUMO GmbH & Co. KG
 Delivery address: Mackenrodtstraße 14,
 36039 Fulda, Germany
 Postal address: 36035 Fulda, Germany
 Phone: +49 661 6003-0
 Fax: +49 661 6003-607
 e-mail: mail@jumo.net
 Internet: www.jumo.net

JUMO Instrument Co. Ltd.
 JUMO House
 Temple Bank, Riverway
 Harlow, Essex CM 20 2TT, UK
 Phone: +44 1279 635533
 Fax: +44 1279 635262
 e-mail: sales@jumo.co.uk
 Internet: www.jumo.co.uk

JUMO Process Control, Inc.
 8 Technology Boulevard
 Canastota, NY 13031, USA
 Phone: 315-697-JUMO
 1-800-554-JUMO
 Fax: 315-697-5867
 e-mail: info@jumo.us
 Internet: www.jumo.us



Stock versions

(1)	(2)	(3)	(4)	(5)	(6)	(7)	(8)	Sales No.
902003/10	402	1003	1	7	50	104	000	90/00055689
902003/10	402	1003	1	7	100	104	000	90/00055690
902003/10	402	1003	1	7	150	104	000	90/00055691
902003/10	402	1003	1	7	250	104	000	90/00064839
902003/10	402	2003	1	7	50	104	000	90/00064777
902003/10	402	2003	1	7	100	104	000	90/00055695
902003/10	402	2003	1	7	150	104	000	90/00064778
902003/10	402	1003	1	7	50	103	000	90/00055700
902003/10	402	1003	1	7	100	103	000	90/00055701
902003/10	402	1003	1	7	100	104	330 (-40 to +60°C)	90/00089239
902003/10	402	1003	1	7	100	104	330 (0 to 100°C)	90/00088375
902003/10	402	1003	1	7	150	104	330 (0 to 100°C)	90/00088279
902003/31	380	1003	1	6	75	104	000	90/00438406
902003/31	380	1003	1	6	100	104	000	90/00438408
902003/31	380	1003	1	6	150	104	000	90/00438409