



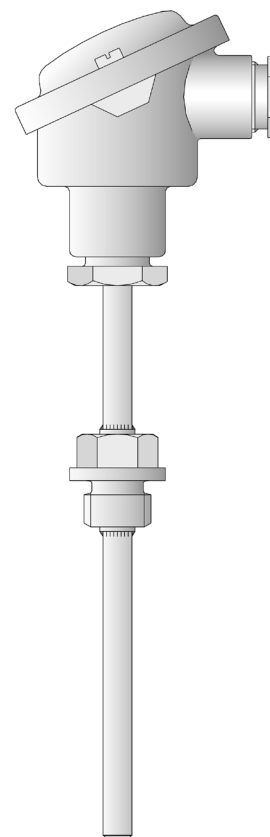
Screw-in resistance thermometers with terminal head Form B

- for temperatures from -50 to +600°C
- with replaceable measuring insert
- as single or twin resistance thermometer
- terminal head Form B, BUZ, BUZH, BBK
- with transmitter option

Screw-in resistance thermometers are preferred for measuring temperatures in liquids and gases. An important selection criterion is their reliable sealing against both negative and positive pressures. Applications include HVAC and refrigeration, as well as heating installations, ovens, furnaces and plant engineering.

The terminal head is suitable for temperatures up to +100°C. Terminal heads Form BUZ, BUZH and BBK are available in addition to the standard Form B.

The measuring insert is normally fitted with a Pt100 temperature sensor to EN 60 751, Class B in 2-wire circuit. Versions with Pt500 or Pt1000 are also available. 3-wire or 4-wire circuit connections can be provided. Optionally, it is possible to integrate a transmitter into the terminal head.



Technical data

Terminal head

Form B DIN 43 729, aluminium die-casting, M 20x1.5; IP54, ambient temperature -40 to +100°C
Form BUZ, aluminium die-casting, M 20x1.5; IP65, ambient temperature -40 to +100°C
Form BUZH, aluminium die-casting, M 20x1.5; IP65, ambient temperature -40 to +100°C
Form BBK, plastic, M 20x1.5; IP54, ambient temperature -30 to +130°C
Caution: reduced ambient temperature when using transmitters, Data Sheets 70.7030 (95.6530) and 70.7010 (95.6550)

Extension tube

stainless steel 1.4571, length 130mm (150mm for Type 902002/50.../51...)

Process connection

thread, stainless steel 1.4571
pocket, stainless steel 1.4571 or steel 1.7335

Protection tube

stainless steel 1.4571, 9mm, 11mm and 12mm dia.

Measuring insert

replaceable, Pt100 temperature sensor EN 60 751, Cl. B, 2-wire circuit (not replaceable on Type 902002/25)

Response times

$t_{0.9}$ approx. 50sec, in water 0.2 m/sec, 9mm dia.

Transmitter

analog transmitter, output 4 - 20mA, Data Sheet 70.7030 (95.6530)
analog transmitter, output 0 - 10V, Data Sheet 70.7030 (95.6530)
programmable transmitter, output 4 - 20mA/20 - 4mA, Data Sheet 70.7010 (95.6550)

Accessories

pocket, Data Sheet 90.9721

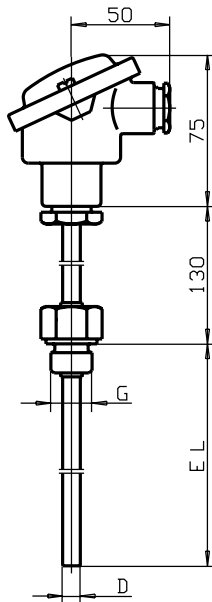
Delivery address: Mackenrodtstraße 14,
36039 Fulda, Germany
Postal address: 36035 Fulda, Germany
Phone: +49 661 6003-0
Fax: +49 661 6003-607
e-mail: mail@jumo.net
Internet: www.jumo.net

JUMO House
Temple Bank, Riverway
Harlow, Essex CM 20 2TT, UK
Phone: +44 1279 635533
Fax: +44 1279 635262
e-mail: sales@jumo.co.uk
Internet: www.jumo.co.uk

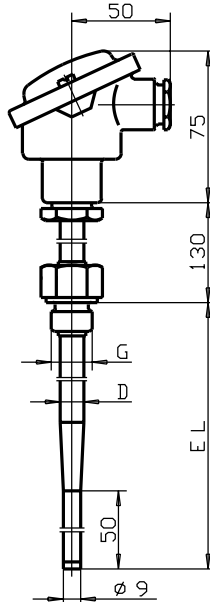
885 Fox Chase, Suite 103
Coatesville PA 19320, USA
Phone: 610-380-8002
1-800-554-JUMO
Fax: 610-380-8009
e-mail: info@JumoUSA.com
Internet: www.JumoUSA.com



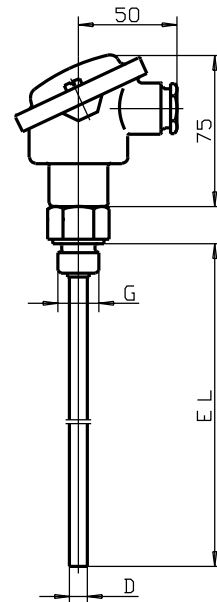
Dimensions



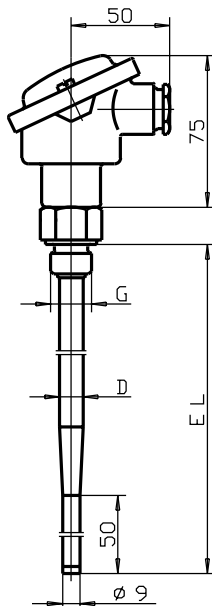
Type 902002/10



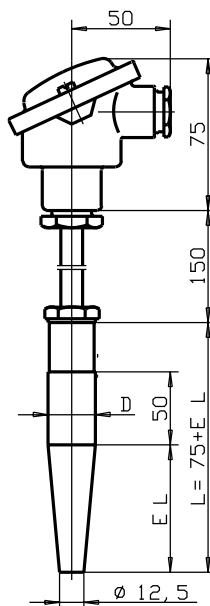
Type 902002/11



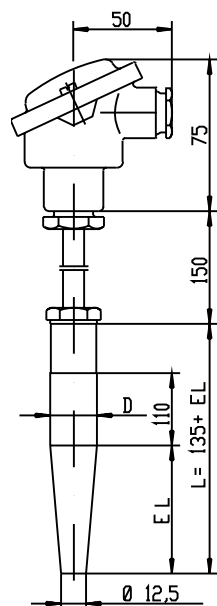
**Type 902002/20
Type 902002/25**



Type 902002/21



Type 902002/50



Type 902002/51

JUMO GmbH & Co. KG

Delivery address: Mackenrodtstraße 14,
36039 Fulda, Germany
Postal address: 36035 Fulda, Germany
Phone: +49 661 6003-0
Fax: +49 661 6003-607
e-mail: mail@jumo.net
Internet: www.jumo.net

JUMO Instrument Co. Ltd.

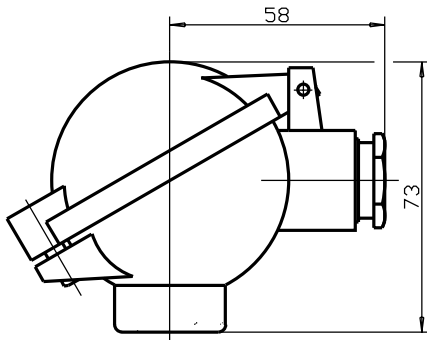
JUMO House
Temple Bank, Riverway
Harlow, Essex CM 20 2TT, UK
Phone: +44 1279 635533
Fax: +44 1279 635262
e-mail: sales@jumo.co.uk
Internet: www.jumo.co.uk

JUMO PROCESS CONTROL INC.

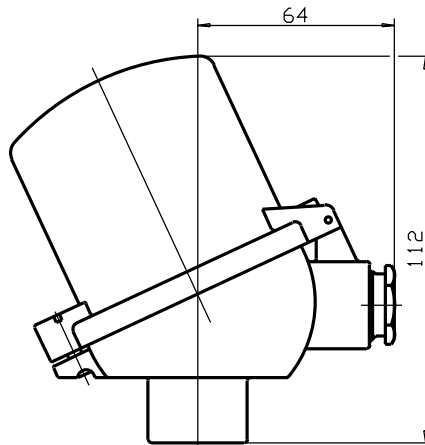
885 Fox Chase, Suite 103
Coatesville PA 19320, USA
Phone: 610-380-8002
1-800-554-JUMO
Fax: 610-380-8009
e-mail: info@JumoUSA.com
Internet: www.JumoUSA.com



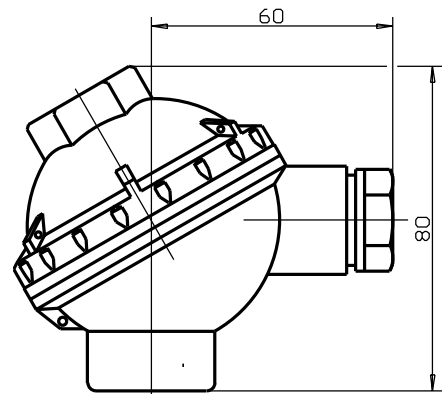
Dimensions



**Terminal head Form BUZ
extra code 320**



**Terminal head Form BUZH
extra code 321**



**Terminal head Form BBK
extra code 322**

Delivery address: Mackenrodtstraße 14,
36039 Fulda, Germany
Postal address: 36035 Fulda, Germany
Phone: +49 661 6003-0
Fax: +49 661 6003-607
e-mail: mail@jumo.net
Internet: www.jumo.net

JUMO House
Temple Bank, Riverway
Harlow, Essex CM 20 2TT, UK
Phone: +44 1279 635533
Fax: +44 1279 635262
e-mail: sales@jumo.co.uk
Internet: www.jumo.co.uk

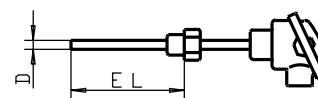
885 Fox Chase, Suite 103
Coatesville PA 19320, USA
Phone: 610-380-8002
1-800-554-JUMO
Fax: 610-380-8009
e-mail: info@JumoUSA.com
Internet: www.JumoUSA.com



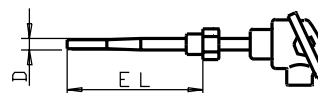
Order details: Screw-in resistance thermometers with terminal head Form B

(1) Basic version

902002/10	Screw-in resistance thermometer with extension tube, continuous protection tube
-----------	---



902002/11	Screw-in resistance thermometer with extension tube, stepped protection tube
-----------	--



(2) Operating temperature in °C	
x x	402 -50 to +400°C (standard)
x x	415 -50 to +600°C

(3) Measuring insert	
x x	1001 1 x Pt100 in 3-wire circuit
x x	1003 1 x Pt100 in 2-wire circuit
x x	1011 1 x Pt100 in 4-wire circuit
x x	2001 2 x Pt100 in 3-wire circuit
x x	2003 2 x Pt100 in 2-wire circuit

(4) Tolerance class to EN 60 751	
x x	1 Class B (standard)
x x	2 Class A

(5) Protection tube diameter D in mm	
x	9 9mm
x	11 11mm
x	12 12mm stepped down to 9mm

(6) Fitting length EL in mm (100 ≤ EL ≤ 1000, EL ≤ 700 for Type 902002/11)	
x x	160 160mm
x x	220 220mm
x x	250 250mm
x x	280 280mm
x x	400 400mm
x x	... please specify in plain text (50mm steps)

(7) Process connection	
x x	104 thread 1/2" pipe
x x	105 thread 3/4" pipe
x x	106 thread 1" pipe
x x	126 thread M 18 x 1.5

(8) Extra codes	
x x	000 no extra code
x x	306 extension tube 70mm
x x	320 terminal head Form BUZ
x x	321 terminal head Form BUZH
x x	322 terminal head Form BBK
x x	330 1 x analog transmitter, output 4 - 20mA ² , Data Sheet 70.7030 (95.6530)
x x	331 1 x programmable transmitter, output 4 - 20mA/20 - 4mA ³ , Data Sheet 70.7010 (95.6550)
x x	333 1 x analog transmitter, output 0 - 10V ² , Data Sheet 70.7030 (95.6530)
x x	334 2 x analog transmitter, output 4 - 20mA ² , Data Sheet 70.7030 (95.6530)
x x	335 2 x programmable transmitter, output 4 - 20mA/20 - 4mA ³ , Data Sheet 70.7010 (95.6550)
x x	337 2 x analog transmitter, output 0 - 10V ² , Data Sheet 70.7030 (95.6530)

Order code (1) (2) (3) (4) (5) (6) (7) (8)
 - - - - - - /

Order example 902002/10 - 402 - 1001 - 1 - 11 - 250 - 106 / 000¹

1. List extra codes in sequence, separated by commas.
2. Please specify range in plain text.
3. Please specify range and output signal in plain text.

Delivery address: Mackenrodtstraße 14,
36039 Fulda, Germany
Postal address: 36035 Fulda, Germany
Phone: +49 661 6003-0
Fax: +49 661 6003-607
e-mail: mail@jumo.net
Internet: www.jumo.net

JUMO House
Temple Bank, Riverway
Harlow, Essex CM 20 2TT, UK
Phone: +44 1279 635533
Fax: +44 1279 635262
e-mail: sales@jumo.co.uk
Internet: www.jumo.co.uk

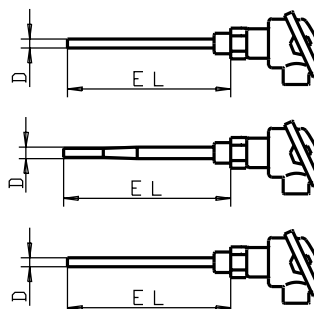
885 Fox Chase, Suite 103
Coatesville PA 19320, USA
Phone: 610-380-8002
1-800-554-JUMO
Fax: 610-380-8009
e-mail: info@JumoUSA.com
Internet: www.JumoUSA.com



Order details: Screw-in resistance thermometers with terminal head Form B

(1) Basic version

	902002/20	Screw-in resistance thermometer without extension tube, continuous protection tube
	902002/21	Screw-in resistance thermometer without extension tube, stepped protection tube
	902002/25	Screw-in resistance thermometer without extension tube, continuous protection tube, without replaceable measuring insert



(2) Operating temperature in °C

x	x	x	402	-50 to +400°C (standard)
x	x	x	415	-50 to +600°C

(3) Measuring insert

x	x	x	1001	1 x Pt100 in 3-wire circuit
x	x	x	1003	1 x Pt100 in 2-wire circuit
x	x	x	1011	1 x Pt100 in 4-wire circuit
x	x		2001	2 x Pt100 in 3-wire circuit
x	x	x	2003	2 x Pt100 in 2-wire circuit

(4) Tolerance class to EN 60 751

x	x	x	1	Class B (standard)
x	x	x	2	Class A

(5) Protection tube diameter D in mm

		x	7	7mm
x			9	9mm
x			11	11mm
	x		12	12mm stepped down to 9mm

(6) Fitting length EL in mm (100 ≤ EL ≤ 1000, EL ≤ 700 for Type 902002/21)

x	x	x	100	100mm
x	x	x	160	160mm
x	x	x	250	250mm
x	x	x	400	400mm
x	x	x	...	please specify in plain text (50mm steps)

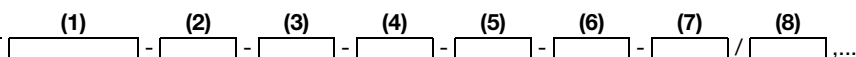
(7) Process connection

x	x	x	104	thread 1/2" pipe
x	x	x	105	thread 3/4" pipe
x	x	x	106	thread 1" pipe
x	x	x	126	thread M 18 x 1.5

(8) Extra codes

x	x	x	000	no extra code
x	x	x	320	terminal head Form BUZ
x	x	x	321	terminal head Form BUZH
x	x	x	322	terminal head Form BBK
x	x	x	330	1 x analog transmitter, output 4 - 20mA ² , Data Sheet 70.7030 (95.6530)
x	x	x	331	1 x programmable transmitter, output 4 - 20mA/20 - 4mA ³ , Data Sheet 70.7010 (95.6550)
x	x	x	333	1 x analog transmitter, output 0 - 10V ² , Data Sheet 70.7030 (95.6530)
x	x	x	334	2 x analog transmitter, output 4 - 20mA ² , Data Sheet 70.7030 (95.6530)
x	x	x	335	2 x programmable transmitter, output 4 - 20mA/20 - 4mA ³ , Data Sheet 70.7010 (95.6550)
x	x	x	337	2 x analog transmitter, output 0 - 10V ² , Data Sheet 70.7030 (95.6530)

Order code



Order example

902002/20 - 402 - 1001 - 1 - 9 - 160 - 104 / 000¹

1. List extra codes in sequence, separated by commas.
2. Please specify range in plain text.
3. Please specify range and output signal in plain text.

Delivery address: Mackenrodtstraße 14,
36039 Fulda, Germany
Postal address: 36035 Fulda, Germany
Phone: +49 661 6003-0
Fax: +49 661 6003-607
e-mail: mail@jumo.net
Internet: www.jumo.net

JUMO House
Temple Bank, Riverway
Harlow, Essex CM 20 2TT, UK
Phone: +44 1279 635533
Fax: +44 1279 635262
e-mail: sales@jumo.co.uk
Internet: www.jumo.co.uk

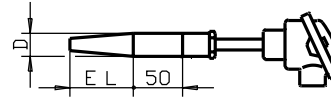
885 Fox Chase, Suite 103
Coatesville PA 19320, USA
Phone: 610-380-8002
1-800-554-JUMO
Fax: 610-380-8009
e-mail: info@JumoUSA.com
Internet: www.JumoUSA.com



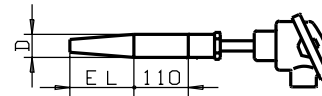
Order details: Screw-in resistance thermometers with terminal head Form B

(1) Basic version

902002/50 Screw-in resistance thermometer with pocket DIN 43 767 Form D1/D2



902002/51 Screw-in resistance thermometer with pocket DIN 43 767 Form D4/D5



(2) Operating temperature in °C (for restrictions see DIN 43 763)

x x 402 -50 to +400°C (standard)
x x 415 -50 to +600°C

(3) Measuring insert

x x 1001 1 x Pt100 in 3-wire circuit
x x 1003 1 x Pt100 in 2-wire circuit
x x 1011 1 x Pt100 in 4-wire circuit
x x 2001 2 x Pt100 in 3-wire circuit
x x 2003 2 x Pt100 in 2-wire circuit

(4) Tolerance class to EN 60 751

x x 1 Class B (standard)
x x 2 Class A

(5) Pocket diameter D in mm

x x 24 24 mm dia. stepped down to 12.5mm

(6) Fitting length EL in mm

x x 65 65mm with Form D 1 / D 4
x x 125 125mm with Form D2 / D5

(7) Pocket material

x x 26 stainless steel X 6 CrNiMoTi 17 12 2, 1.4571 (operating temperature +600°C)
x x 36 steel 13 CrMo 44, 1.7335 (operating temperature +540°C)

(8) Extra codes

x x 000 no extra code
x x 306 extension tube 70mm
x x 320 terminal head Form BUZ
x x 321 terminal head Form BUZH
x x 322 terminal head Form BBK
x x 330 1 x analog transmitter, output 4 - 20mA², Data Sheet 70.7030 (95.6530)
x x 331 1 x programmable transmitter, output 4 - 20mA/20 - 4mA³, Data Sheet 70.7010 (95.6550)
x x 333 1 x analog transmitter, output 0 - 10V², Data Sheet 70.7030 (95.6530)
x x 334 2 x analog transmitter, output 4 - 20mA², Data Sheet 70.7030 (95.6530)
x x 335 2 x programmable transmitter, output 4 - 20mA/20 - 4mA³, Data Sheet 70.7010 (95.6550)
x x 337 2 x analog transmitter, output 0 - 10V², Data Sheet 70.7030 (95.6530)

Order code (1) - (2) - (3) - (4) - (5) - (6) - (7) / (8) , ...
Order example 902002/50 - 402 - 1001 - 1 - 24 - 65 - 26 / 000¹

1. List extra codes in sequence, separated by commas.
2. Please specify range in plain text.
3. Please specify range and output signal in plain text.

JUMO GmbH & Co. KG

Delivery address: Mackenrodtstraße 14,
36039 Fulda, Germany
Postal address: 36035 Fulda, Germany
Phone: +49 661 6003-0
Fax: +49 661 6003-607
e-mail: mail@jumo.net
Internet: www.jumo.net

JUMO Instrument Co. Ltd.

JUMO House
Temple Bank, Riverway
Harlow, Essex CM 20 2TT, UK
Phone: +44 1279 635533
Fax: +44 1279 635262
e-mail: sales@jumo.co.uk
Internet: www.jumo.co.uk

JUMO PROCESS CONTROL INC.

885 Fox Chase, Suite 103
Coatesville PA 19320, USA
Phone: 610-380-8002
1-800-554-JUMO
Fax: 610-380-8009
e-mail: info@JumoUSA.com
Internet: www.JumoUSA.com

**Stock versions**

(1)	(2)	(3)	(4)	(5)	(6)	(7)	(8)	Sales No.
902002/10	- 402	- 1003	- 1	- 9	- 160	- 104	/ 000	90/00055562
902002/10	- 402	- 1003	- 1	- 9	- 250	- 104	/ 000	90/00055563
902002/10	- 402	- 1003	- 1	- 9	- 400	- 104	/ 000	90/00055564
902002/10	- 402	- 2003	- 1	- 9	- 160	- 104	/ 000	90/00055565
902002/10	- 402	- 2003	- 1	- 9	- 250	- 104	/ 000	90/00055566
902002/10	- 402	- 2003	- 1	- 9	- 400	- 104	/ 000	90/00055567
902002/10	- 402	- 1001	- 1	- 9	- 160	- 104	/ 330 (0 to 100°C)	90/00054616
902002/10	- 402	- 1001	- 1	- 9	- 160	- 104	/ 330 (0 to 200°C)	90/00087522
902002/10	- 402	- 1001	- 1	- 9	- 250	- 104	/ 330 (0 to 100°C)	90/00054617
902002/10	- 402	- 1001	- 1	- 9	- 250	- 104	/ 330 (0 to 200°C)	90/00087527
902002/10	- 402	- 1001	- 1	- 9	- 400	- 104	/ 331 (0 to 100°C)	90/00335111
902002/25	- 402	- 1003	- 1	- 7	- 100	- 104	/ 330 (0 to 100°C)	90/00081832
902002/25	- 402	- 1003	- 1	- 7	- 100	- 104	/ 331 (0 to 100°C)	90/00342414