

JUMO GmbH & Co. KG
 Delivery address: Mackenrodtstraße 14,
 36039 Fulda, Germany
 Postal address: 36035 Fulda, Germany
 Phone: +49 661 6003-0
 Fax: +49 661 6003-607
 e-mail: mail@jumo.net
 Internet: www.jumo.net

JUMO Instrument Co. Ltd.
 JUMO House
 Temple Bank, Riverway
 Harlow, Essex CM 20 2TT, UK
 Phone: +44 1279 635533
 Fax: +44 1279 635262
 e-mail: sales@jumo.co.uk
 Internet: www.jumo.co.uk

JUMO Process Control, Inc.
 8 Technology Boulevard
 Canastota, NY 13032, USA
 Phone: 315-697-JUMO
 1-800-554-JUMO
 Fax: 315-697-5867
 e-mail: info@jumo.us
 Internet: www.jumo.us



Bimetal Temperature Switch

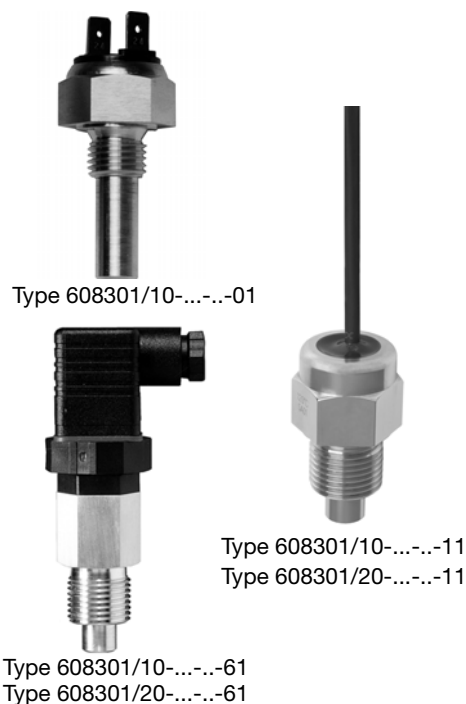
- electromechanical temperature switch with a fixed switching temperature
- IP67 protection (max.)
- simple installation
- contact rating up to 2.5 kVA

Brief description

The bimetal temperature switch lends itself to universal use. Areas of application include temperature monitoring/control and signaling in cooling and heating systems, compressors and motors.

The temperature switch can, to a limited extent, also be used as a temperature controller.

The temperature change is transferred to a mechanism via the fitting. When the switching temperature is reached, the temperature switch is activated.



Technical data

Minimum ordering quantity: 50 items

	Faston connector A 6.3-08	Connecting cable with cable gland	Encapsulated connecting cable	Plug connector for cable connection *
Fitting	brass or stainless steel; screw-in spigot similar to DIN 3852 Form A for sealing and sealing ring			
Protection	IP52	IP65	IP67	IP65
Electrical contact Snap-action switch Connection	A 6.3-0.8 to DIN 46244	cable diameter approx. 5.5 mm; core cross-section 0.75 mm ²		cable diameter 6 – 8 mm; earth contact not connected
Contact rating	5 A, 30 V DC, +10 / -15% 10(10) A, 230 V AC +10/-15%, 48 – 63Hz, p.f. = 0.75			
Contact resistance	< 30 mΩ			
Breakdown strength	1500 V AC /1min			
Electrical contact Slow-action contact Contact rating	-	-	8 A, 12 V DC +10/-15% 4 A, 24 V DC +10/-15% 6 A, 115 V AC +10/-15%, 48 – 63Hz	
If the bimetal temperature switch is operated off a voltage above 50 V, the fitting must be provided with a protective earth according to VDE or the corresponding local regulations.				

* to EN 175301-803 (DIN 43650)



JUMO GmbH & Co. KG
 Delivery address: Mackenrodtstraße 14,
 36039 Fulda, Germany
 Postal address: 36035 Fulda, Germany
 Phone: +49 661 6003-0
 Fax: +49 661 6003-607
 e-mail: mail@jumo.net
 Internet: www.jumo.net

JUMO Instrument Co. Ltd.
 JUMO House
 Temple Bank, Riverway
 Harlow, Essex CM 20 2TT, UK
 Phone: +44 1279 635533
 Fax: +44 1279 635262
 e-mail: sales@jumo.co.uk
 Internet: www.jumo.co.uk

JUMO Process Control, Inc.
 8 Technology Boulevard
 Canastota, NY 13032, USA
 Phone: 315-697-JUMO
 1-800-554-JUMO
 Fax: 315-697-5867
 e-mail: info@jumo.us
 Internet: www.jumo.us

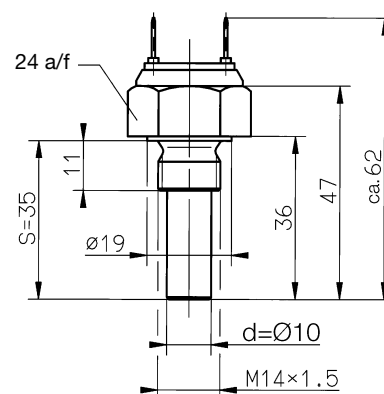
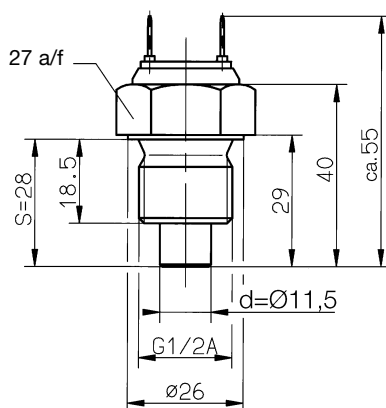


Technical data

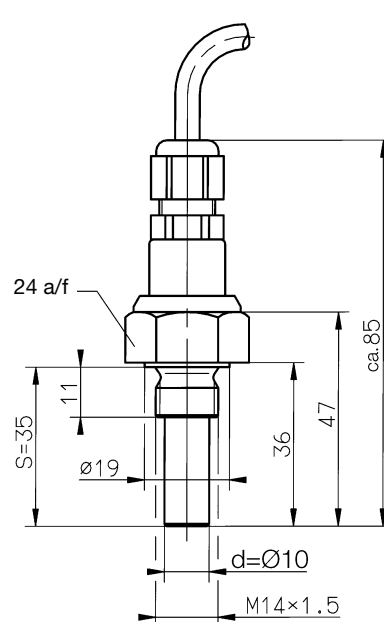
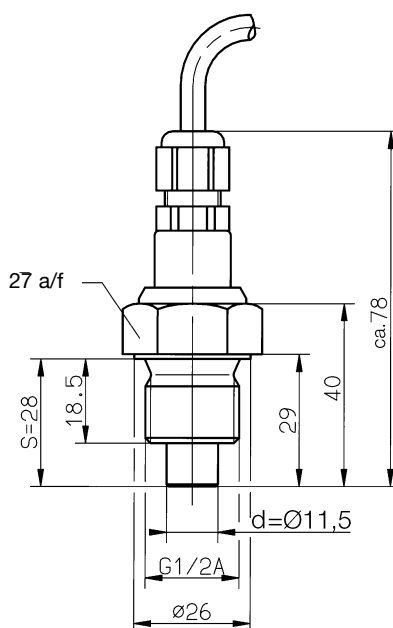
	Snap-action switch	Slow-action contact
Switching temperature	+40°C to +140°C; 5 °C steps	
Reset temperature	15 to 30 °C below the switching temperature	approx. 1.5 °C below the switching temperature (measured in water bath, switching point 40°C)
Switching point accuracy	switching temperature: up to 130 °C ±5 °C, above 130 °C ±10 °C at a rate of temperature change of 1 °C/min	
Vibration strength	13 g (vibration in direction of central axis, at a frequency of 45 Hz and an amplitude of ± 1.6 mm)	
Dynamic response	t _{0,9} approx. 3.5 min, measured in agitated oil bath; brass fitting, G1/2 A	
Switching output (SA)	break (n.c.) SA01  or make (n.o.) SA02  referred to rising temperature	
Limit temperatures	for temperature and storage -5 to +80°C	
Nominal position	any	
Weight	approx. 50 g	

Dimensions

Type 608301/10-...-...-01



Type 608301/10-...-...-18



JUMO GmbH & Co. KG
 Delivery address: Mackenrodtstraße 14,
 36039 Fulda, Germany
 Postal address: 36035 Fulda, Germany
 Phone: +49 661 6003-0
 Fax: +49 661 6003-607
 e-mail: mail@jumo.net
 Internet: www.jumo.net

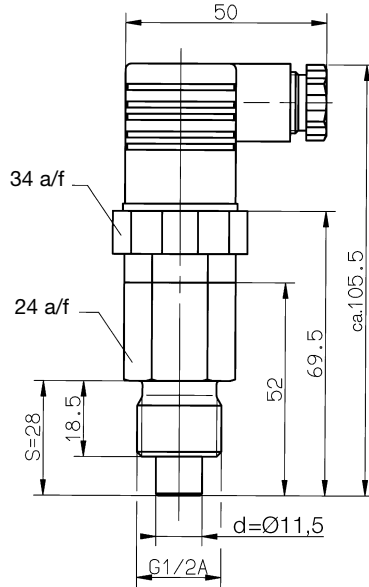
JUMO Instrument Co. Ltd.
 JUMO House
 Temple Bank, Riverway
 Harlow, Essex CM 20 2TT, UK
 Phone: +44 1279 635533
 Fax: +44 1279 635262
 e-mail: sales@jumo.co.uk
 Internet: www.jumo.co.uk

JUMO Process Control, Inc.
 8 Technology Boulevard
 Canastota, NY 13032, USA
 Phone: 315-697-JUMO
 1-800-554-JUMO
 Fax: 315-697-5867
 e-mail: info@jumo.us
 Internet: www.jumo.us

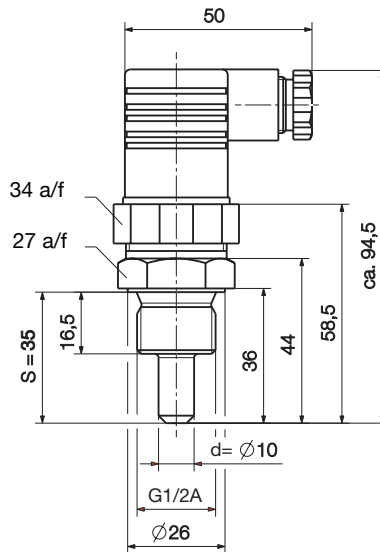


Dimensions

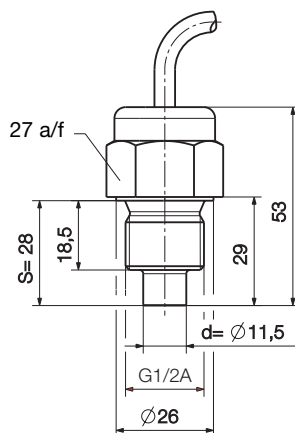
Type 608301/10-...-...-61



Type 608301/20-...-...-61



Types 608301/10-...-...-11
 608301/20-...-...-11



JUMO GmbH & Co. KG
 Delivery address: Mackenrodtstraße 14,
 36039 Fulda, Germany
 Postal address: 36035 Fulda, Germany
 Phone: +49 661 6003-0
 Fax: +49 661 6003-607
 e-mail: mail@jumo.net
 Internet: www.jumo.net

JUMO Instrument Co. Ltd.
 JUMO House
 Temple Bank, Riverway
 Harlow, Essex CM 20 2TT, UK
 Phone: +44 1279 635533
 Fax: +44 1279 635262
 e-mail: sales@jumo.co.uk
 Internet: www.jumo.co.uk

JUMO Process Control, Inc.
 8 Technology Boulevard
 Canastota, NY 13032, USA
 Phone: 315-697-JUMO
 1-800-554-JUMO
 Fax: 315-697-5867
 e-mail: info@jumo.us
 Internet: www.jumo.us



Order details

Bimetal temperature switch Type 608301

Minimum ordering quantity: 50 items

		(1) Basic type	
		608301	Electromechanical temperature switch with a fixed switching temperature
		(2) Basic type extension	
X		10	snap-action switch
	X	20	slow-action contact
		(3) Switching temperature	
X	X	...	in degrees, within the range from +40°C to +140°C, in 5 °C increments (e.g. 85 Δ + 85°C)
		(4) Switching output (SA)	
X	X	98	break (n.c.) (SA01)
X	X	99	make (n.o.) (SA02)
		(5) Electrical connection	
X		01	faston connector A 6.3-0.8 DIN 46244
X	X	61	plug connector for cable connection to EN 175301-803 (DIN 43650)
X		18	connecting cable with cable gland
X	X	11	encapsulated connecting cable (continuous operating temperature: 120°C max.)
		(6) Material of process connection	
X	X	50	brass (CuZn)
X	X	78	stainless steel (CrNi, 1.4305)
		(7) Diameter of process connection (PA), dimension "d"	
		10	10 mm
		11,5	11.5 mm
		(8) Type of thread for process connection (PA)	
		121	thread M14x1.5
		104	thread G 1/2
		(9) Fitting length of process connection (PA), dimension "S"	
		28	28 mm
		35	35 mm
		(10) Cable length	
X	X	0	none
X	X	1000	1000 mm
X	X	2000	2000 mm
X	X	3000	3000 mm
X	X	4000	4000 mm
X	X	5000	5000 mm
		(11) Extra codes (TZ)	
X	X	000	no extra codes

Other versions (switching temperatures, fittings etc.) available on request.

Order code

(1) 608301 / (2) ... - (3) ... - (4) .. - (5) .. - (6) .. - (7) ... - (8) ... - (9) .. - (10) / (11) ...

Order example

608301 / 10 - 85 - 98 - 01 - 50 - 10 - 121 - 35 - 0 / 000