

JUMO GmbH & Co. KG
 Delivery address: Mackenrodtstraße 14,
 36039 Fulda, Germany
 Postal address: 36035 Fulda, Germany
 Phone: +49 661 6003-0
 Fax: +49 661 6003-607
 e-mail: mail@jumo.net
 Internet: www.jumo.net

JUMO Instrument Co. Ltd.
 JUMO House
 Temple Bank, Riverway
 Harlow, Essex CM 20 2TT, UK
 Phone: +44 1279 635533
 Fax: +44 1279 635262
 e-mail: sales@jumo.co.uk
 Internet: www.jumo.co.uk

JUMO Process Control, Inc.
 8 Technology Boulevard
 Canastota, NY 13032, USA
 Phone: 315-697-JUMO
 1-800-554-JUMO
 Fax: 315-697-5867
 e-mail: info@jumo.us
 Internet: www.jumo.us



Dial Thermometer Transformer Version

- Temperature indicator with a bimetal sensing system
- Stainless steel housing
- Peak-reading pointer
- Class 1.5
- IP55 protection
- Housing size: 80mm dia.

Brief description

Dial thermometers for transformers are universal instruments for local temperature measurement.

for stock items
see price catalog



Caution: only for stock items
- Pack of 3 -
Quantity ordered must be a multiple of 3 !

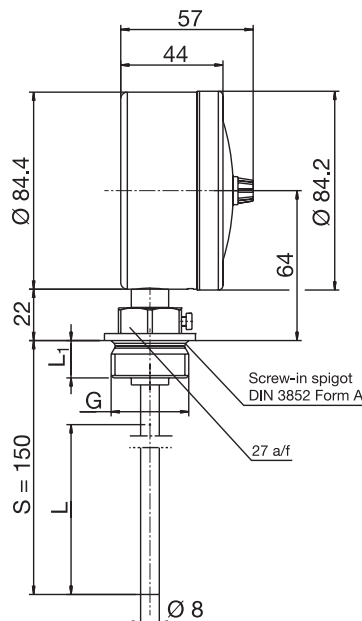
Type 608005/1080

Technical data

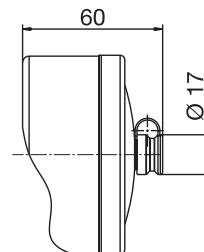
| | |
|------------------------------|---|
| Housing | housing and bezel in stainless steel (1.4301) |
| Enclosure protection | IP55 to EN 60 529 |
| Window | Plexiglas (PMMA) |
| Scale | white, black lettering |
| Accuracy class | Class 1.5 similar to EN 13 190 |
| Time constant $t_{0.632}$ | approx. 20 sec (measured in agitated water with an 8 mm dia. stainless steel probe) |
| Ambient temperature effect | no effect |
| Limit temperatures | -30 to +80°C (storage and transport -30 to +80°C) |
| Nominal position | NL 90, symbol ⊥ |

Dimensions

Type: 608005/1080



Extra code 434



| Pipe thread G | L ₁ | L (active probe dimension) |
|---------------------------------|----------------|----------------------------|
| G ¹ / ₂ A | 14 | 75 |
| G ³ / ₄ A | 16 | |
| G1A | 16 | |

JUMO GmbH & Co. KG
 Delivery address: Mackenrodtstraße 14,
 36039 Fulda, Germany
 Postal address: 36035 Fulda, Germany
 Phone: +49 661 6003-0
 Fax: +49 661 6003-607
 e-mail: mail@jumo.net
 Internet: www.jumo.net

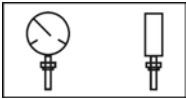
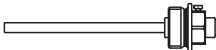
JUMO Instrument Co. Ltd.
 JUMO House
 Temple Bank, Riverway
 Harlow, Essex CM 20 2TT, UK
 Phone: +44 1279 635533
 Fax: +44 1279 635262
 e-mail: sales@jumo.co.uk
 Internet: www.jumo.co.uk

JUMO Process Control, Inc.
 8 Technology Boulevard
 Canastota, NY 13032, USA
 Phone: 315-697-JUMO
 1-800-554-JUMO
 Fax: 315-697-5867
 e-mail: info@jumo.us
 Internet: www.jumo.us



Order details

Dial thermometer, transformer version, Type 608005

| | | |
|-------------------|--|--|
| Order code | (1) Basic type | |
| 608005 | Mechanical dial thermometer, transformer version, Class 1.5, with peak-reading pointer | |
| | (2) Basic type extension | |
| 1080 | Style 10; housing size: 80 mm dia. |  |
| | (3) Indication range (AB) | |
| 818 | 0 to +120°C; measuring range +20 to +100°C, accuracy 3.0°C | |
| 643 | -20 to +120°C; measuring range 0 to +100°C, accuracy 3.0°C | |
| | (4) Process connection (PA) | |
| 874 | TA 24; immersion tube with screw connection, O ring seal and clamping screw |  |
| | (5) Diameter of process connection (PA) | |
| 8 | 8 mm dia. | |
| | (6) Type of thread for process connection (PA) | |
| 104 | G ¹ / ₂ thread | |
| 105 | G ³ / ₄ thread | |
| 106 | G1 thread | |
| | (7) Material of process connection (PA) | |
| 97 | stainless steel (1.4571) for temperature probe (TF) / brass for probe mounting (TA) | |
| | (8) Fitting length of process connection (PA) (dimension S) | |
| 150 | 150 mm | |
| ... | special length (on request, details in plain text) | |
| | (9) Extra codes (TZ) | |
| 000 | no extra code | |
| 522 | customized scale | |
| 434 | peak-reading pointer adjustable with screwdriver; protected by cap | |

Special versions on request!

Order code

(1) 608005 / (2) ... - (3) ... - (4) ... - (5) .. - (6) ... - (7) .. - (8) ... / (9) ... , ...

Order example

608005 / 1080 - 818 - 874 - 8 - 106 - 50 - 150 / 000¹ , ...

¹ List extra codes in sequence, separated by commas.

Note:

For contact dial thermometers for transformers, see data sheet 60.8540.

For temperature indicators and contact dial thermometers with capillary, see data sheets 60.8201 and 60.8520.