

**JUMO GmbH & Co. KG**  
Delivery address: Mackenrodtstraße 14,  
36039 Fulda, Germany  
Postal address: 36035 Fulda, Germany  
Phone: +49 661 6003-0  
Fax: +49 661 6003-607  
e-mail: mail@jumo.net  
Internet: www.jumo.net

**JUMO Instrument Co. Ltd.**  
JUMO House  
Temple Bank, Riverway  
Harlow, Essex CM 20 2TT, UK  
Phone: +44 1279 635533  
Fax: +44 1279 635262  
e-mail: sales@jumo.co.uk  
Internet: www.jumo.co.uk

**JUMO Process Control, Inc.**  
8 Technology Boulevard  
Canastota, NY 13032, USA  
Phone: 315-697-JUMO  
1-800-554-JUMO  
Fax: 315-697-5867  
e-mail: info@jumo.us  
Internet: www.jumo.us



## Dial Thermometer Chemical Plant Version

- Temperature indicator with a bimetal sensing system
- Stainless steel housing with bayonet lock
- Class 1
- IP65 protection
- Housing sizes: 80 mm, 100 mm and 160 mm dia.

### Brief description

Chemical plant version dial thermometers are instruments for universal use in on-site temperature measurement.



Type 608003/1010

### Technical data

<b>Housing</b>	housing and bezel in stainless steel (1.4301)
<b>Protection</b>	IP65 to EN 60 529
<b>Window</b>	glass, with extra code 434 in plexiglass (PMMA)
<b>Scale</b>	blank aluminium, black lettering
<b>Indication</b>	linear, Class 1 to EN 13 190
<b>Response time</b>	$t_{0,9}$ response approx. 30 sec (measured in agitated water with a 10 mm dia. probe in stainless steel)
<b>Ambient temperature effect</b>	no effect
<b>Limit temperatures</b>	-30 to +80°C (storage and transport: -30 to +80°C)
<b>Nominal position</b>	unrestricted
<b>Indication adjustment</b>	The bezel can be removed and the indication corrected on the pointer.

**JUMO GmbH & Co. KG**  
 Delivery address: Mackenrodtstraße 14,  
 36039 Fulda, Germany  
 Postal address: 36035 Fulda, Germany  
 Phone: +49 661 6003-0  
 Fax: +49 661 6003-607  
 e-mail: mail@jumo.net  
 Internet: www.jumo.net

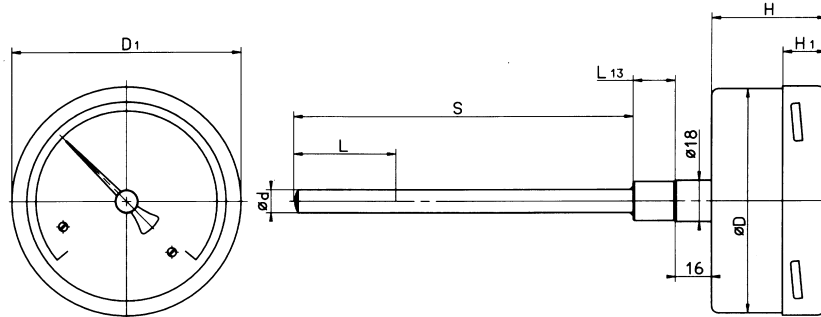
**JUMO Instrument Co. Ltd.**  
 JUMO House  
 Temple Bank, Riverway  
 Harlow, Essex CM 20 2TT, UK  
 Phone: +44 1279 635533  
 Fax: +44 1279 635262  
 e-mail: sales@jumo.co.uk  
 Internet: www.jumo.co.uk

**JUMO Process Control, Inc.**  
 8 Technology Boulevard  
 Canastota, NY 13032, USA  
 Phone: 315-697-JUMO  
 1-800-554-JUMO  
 Fax: 315-697-5867  
 e-mail: info@jumo.us  
 Internet: www.jumo.us

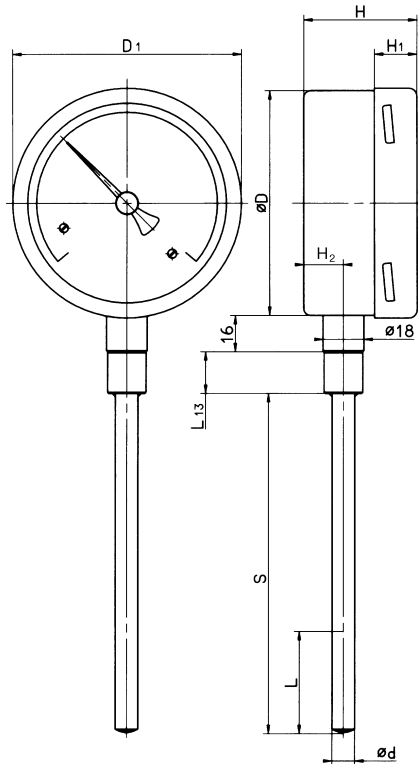


## Dimensions

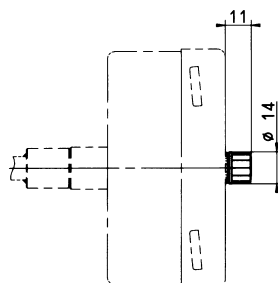
Types: 608003/0180  
 608003/0110  
 608003/0116



Types: 608003/1080  
 608003/1010  
 608003/1016



Extra code 434  
 (peak-reading pointer)



Type	Ø D	Ø D <sub>1</sub>	H	H <sub>1</sub>	H <sub>2</sub>
608003/0180	79	80	55	15.5	16.8
608003/1080			50		
608003/0110	99	101.5	55	19	12.5
608003/0110 TZ 474			50		
608003/1010	159	161.5	50	21	12.5
608003/0116					
608003/1016					

See Data Sheet 60.8730 for dimensions Ø d and L<sub>13</sub>.

**JUMO GmbH & Co. KG**  
 Delivery address: Mackenrodtstraße 14,  
 36039 Fulda, Germany  
 Postal address: 36035 Fulda, Germany  
 Phone: +49 661 6003-0  
 Fax: +49 661 6003-607  
 e-mail: mail@jumo.net  
 Internet: www.jumo.net

**JUMO Instrument Co. Ltd.**  
 JUMO House  
 Temple Bank, Riverway  
 Harlow, Essex CM 20 2TT, UK  
 Phone: +44 1279 635533  
 Fax: +44 1279 635262  
 e-mail: sales@jumo.co.uk  
 Internet: www.jumo.co.uk

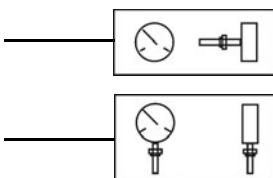
**JUMO Process Control, Inc.**  
 8 Technology Boulevard  
 Canastota, NY 13032, USA  
 Phone: 315-697-JUMO  
 1-800-554-JUMO  
 Fax: 315-697-5867  
 e-mail: info@jumo.us  
 Internet: www.jumo.us



## Order details

### Dial thermometer, chemical plant version, Type 608003

Order code	(1) Basic type
608003	Mechanical dial thermometer, chemical plant version, Class 1
(2) Basic type extensions	
0180	Style 01; housing size: 80 mm dia.
0110	Style 01; housing size: 100 mm dia.
0116	Style 01; housing size: 160 mm dia.
1080	Style 10; housing size: 80 mm dia.
1010	Style 10; housing size: 100 mm dia.
1016	Style 10; housing size: 160 mm dia.
(3) Indication range (AB)	
628	-20 to + 40°C; measuring range -10 to + 30°C, accuracy 1.0°C
632	-20 to + 60°C; measuring range -10 to + 60°C, accuracy 1.0°C
635	-20 to + 80°C; measuring range -10 to + 70°C, accuracy 1.0°C
639	-20 to +100°C; measuring range 0 to + 80°C, accuracy 2.0°C
643	-20 to +120°C; measuring range 0 to +100°C, accuracy 2.0°C
564	-30 to + 30°C; measuring range -20 to + 20°C, accuracy 1.0°C
566	-30 to + 50°C; measuring range -20 to + 40°C, accuracy 1.0°C
570	-30 to + 70°C; measuring range -20 to + 60°C, accuracy 1.0°C
585	-30 to +170°C; measuring range -10 to +150°C, accuracy 2.0°C
469	-40 to + 40°C; measuring range -30 to + 30°C, accuracy 1.0°C
472	-40 to + 60°C; measuring range -30 to + 50°C, accuracy 1.0°C
357	-50 to + 50°C; measuring range -40 to + 40°C, accuracy 1.0°C
807	0 to + 60°C; measuring range +10 to + 50°C, accuracy 1.0°C
810	0 to + 80°C; measuring range +10 to + 70°C, accuracy 1.0°C
814	0 to +100°C; measuring range +10 to + 90°C, accuracy 1.0°C
818	0 to +120°C; measuring range +20 to +100°C, accuracy 2.0°C
826	0 to +160°C; measuring range +20 to +140°C, accuracy 2.0°C
832	0 to +200°C; measuring range +20 to +180°C, accuracy 2.0°C
834	0 to +250°C; measuring range +30 to +220°C, accuracy 2.5°C
840	0 to +300°C; measuring range +30 to +270°C, accuracy 5.0°C
843	0 to +350°C; measuring range +50 to +300°C, accuracy 5.0°C
848	0 to +400°C; measuring range +50 to +350°C, accuracy 5.0°C
854	0 to +500°C; measuring range +50 to +450°C, accuracy 5.0°C



**JUMO GmbH & Co. KG**  
 Delivery address: Mackenrodtstraße 14,  
 36039 Fulda, Germany  
 Postal address: 36035 Fulda, Germany  
 Phone: +49 661 6003-0  
 Fax: +49 661 6003-607  
 e-mail: mail@jumo.net  
 Internet: www.jumo.net

**JUMO Instrument Co. Ltd.**  
 JUMO House  
 Temple Bank, Riverway  
 Harlow, Essex CM 20 2TT, UK  
 Phone: +44 1279 635533  
 Fax: +44 1279 635262  
 e-mail: sales@jumo.co.uk  
 Internet: www.jumo.co.uk

**JUMO Process Control, Inc.**  
 8 Technology Boulevard  
 Canastota, NY 13032, USA  
 Phone: 315-697-JUMO  
 1-800-554-JUMO  
 Fax: 315-697-5867  
 e-mail: info@jumo.us  
 Internet: www.jumo.us



## Order details

### Dial thermometer, chemical plant version, Type 608003

Order code	(4) Process connection (PA)	
010	TA 01; immersion tube with shoulder	
843	TA 02; immersion tube with union nut and loose nipple <sup>2)</sup>	
845	TA 03; immersion tube with loose union nut	
846	TA 04; immersion tube with fixed hexagon <sup>2)</sup>	
847	TA 06; immersion tube with sliding clamp fitting (20 bar max.) <sup>2)</sup>	
018	TA 08; immersion tube with sliding fixing plate in zinc-plated steel and fixing screw	
858	SH04; screw-in pocket, one-piece	
891	SH05; screw-in pocket, assembled	
913	SH07; screw-in pocket, assembled, with fixing screw	
820	SH09; weld-in pocket, assembled, with fixing screw	
<b>(5) Diameter of process connection (PA)<sup>1)</sup></b>		
6	6 mm dia.	
10	10 mm dia.	
12	12 mm dia. (with SH05, SH07 only)	
14	14 mm dia. (with SH05, SH07, SH09 only)	
17	17 mm dia. (with SH04 only)	
<b>(6) Thread for process connection (PA)<sup>1)</sup></b>		
000	no thread (TA01 only)	
103	G <sup>3</sup> / <sub>8</sub> thread	
104	G <sup>1</sup> / <sub>2</sub> thread	
105	G <sup>3</sup> / <sub>4</sub> thread	
144	1/2-14NPT thread	
<b>(7) Material of process connection (PA)<sup>1)</sup></b>		
26	stainless steel (CrNi, 1.4571)	
<b>(8) Fitting length of process connection (PA) (dimension S)</b>		
50	50 mm	
100	100 mm	
150	150 mm	
200	200 mm	
...	special length (details in plain text, in 50 mm steps)	
<b>(9) Extra codes (TZ)</b>		
000	no extra code	
522	customized scale	
434	peak-reading pointer adjustable with screwdriver, protected through screw cap (plexiglass window; +70°C max. ambient temperature)	
474	silicone-filled pointer damper (only with basic type extension 0180, 0110, 0116)	

Special versions on request!

Order code	(1)	(2)	(3)	(4)	(5)	(6)	(7)	(8)	(9)								
608003	/	....	-	...	-	...	-	..	-	...	-	..	-	...	/	...	, ...
<b>Order example</b>																	
608003	/	0180	-	818	-	845	-	10	-	104	-	26	-	100	/	000 <sup>3)</sup>	

<sup>1)</sup> See Data Sheet 60.8730 for description and features.  
<sup>2)</sup> Screw-in spigot to DIN 3852 Form A (not with NPT thread).  
<sup>3)</sup> List extra codes in sequence, separated by commas.