

JUMO GmbH & Co. KG
Delivery address: Mackenrodtstraße 14,
36039 Fulda, Germany
Postal address: 36035 Fulda, Germany
Phone: +49 661 6003-0
Fax: +49 661 6003-607
e-mail: mail@jumo.net
Internet: www.jumo.net

JUMO Instrument Co. Ltd.
JUMO House
Temple Bank, Riverway
Harlow, Essex CM 20 2TT, UK
Phone: +44 1279 635533
Fax: +44 1279 635262
e-mail: sales@jumo.co.uk
Internet: www.jumo.co.uk

JUMO Process Control, Inc.
8 Technology Boulevard
Canastota, NY 13032, USA
Phone: 315-697-JUMO
1-800-554-JUMO
Fax: 315-697-5867
e-mail: info@jumo.us
Internet: www.jumo.us



Dial Thermometers Industrial Version

- Temperature indicator with bimetal sensing system
- Stainless steel housing
- Class 1
- Protection IP65 max.
- Housing sizes: 50 mm, 60 mm, 80 mm,
100 mm and 160 mm dia.

Dial thermometers, industrial version, are instruments for universal use in local temperature measurement.



Type 608002/1810

Technical data

Housing	housing and bezel in stainless steel (1.4301) angle block in aluminium (Style 18)
Protection	IP54 to EN 60 529 (IP65 with extra code 404)
Window	glass, with extra code 404: plexiglass (PMMA)
Scale	blank aluminium, black lettering
Accuracy class	Class 1 to EN 13190
Time constant	$t_{0.632}$ response approx. 20 sec (measured in agitated water with a 10 mm dia. stainless steel probe)
Ambient temperature effect	no effect
Limit temperatures	-30 to +80°C (with extra code 404: -20 to +70°C) storage and transport: -30 to +80°C (with extra code 404: -20 to +70°C)
Nominal position	unrestricted

JUMO GmbH & Co. KG
 Delivery address: Mackenrodtstraße 14,
 36039 Fulda, Germany
 Postal address: 36035 Fulda, Germany
 Phone: +49 661 6003-0
 Fax: +49 661 6003-607
 e-mail: mail@jumo.net
 Internet: www.jumo.net

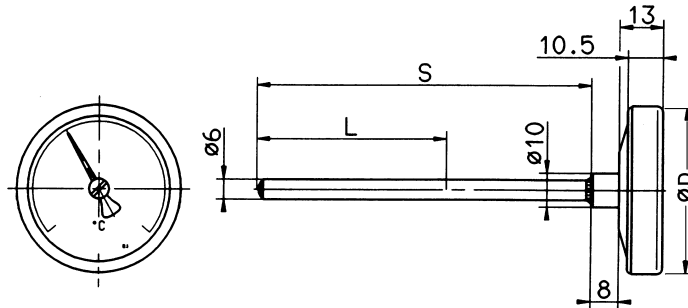
JUMO Instrument Co. Ltd.
 JUMO House
 Temple Bank, Riverway
 Harlow, Essex CM 20 2TT, UK
 Phone: +44 1279 635533
 Fax: +44 1279 635262
 e-mail: sales@jumo.co.uk
 Internet: www.jumo.co.uk

JUMO Process Control, Inc.
 8 Technology Boulevard
 Canastota, NY 13032, USA
 Phone: 315-697-JUMO
 1-800-554-JUMO
 Fax: 315-697-5867
 e-mail: info@jumo.us
 Internet: www.jumo.us

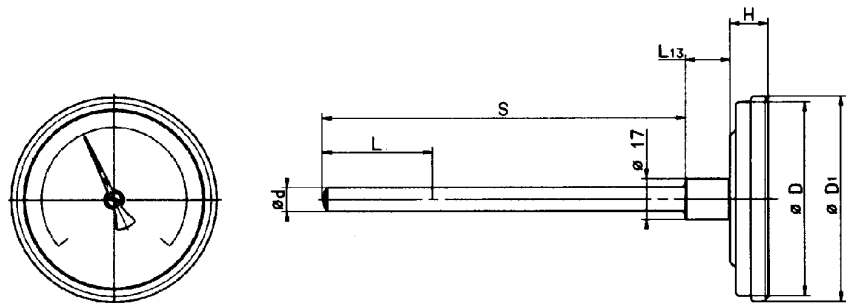


Dimensions

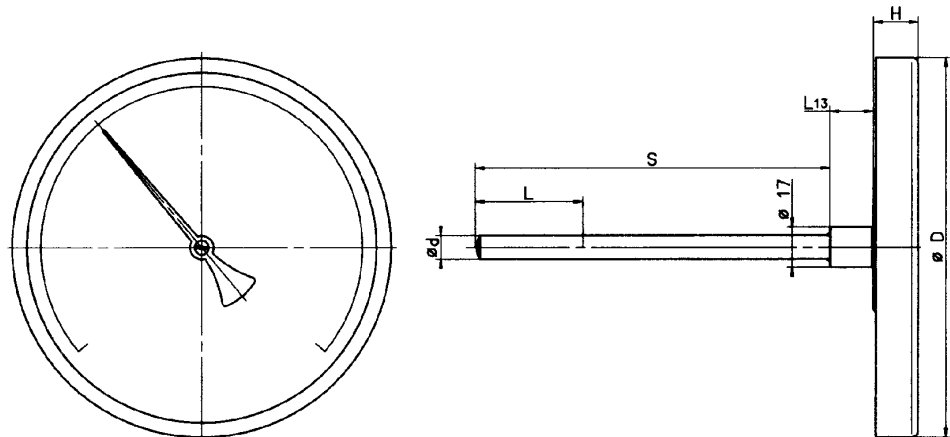
Type: 608002/0150



Types: 608002/0160
 608002/0180
 608002/0110



Type: 608002/0116



Type	Ø D	Ø D ₁	H
608002/0150	50	—	—
608002/0160	60	65	17.5
608002/0180	80	85	18.5
608002/0110	100	106	18.5
608002/0116	160	—	20.0

JUMO GmbH & Co. KG
 Delivery address: Mackenrodtstraße 14,
 36039 Fulda, Germany
 Postal address: 36035 Fulda, Germany
 Phone: +49 661 6003-0
 Fax: +49 661 6003-607
 e-mail: mail@jumo.net
 Internet: www.jumo.net

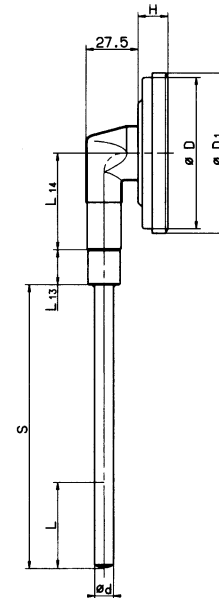
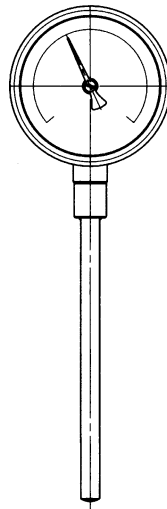
JUMO Instrument Co. Ltd.
 JUMO House
 Temple Bank, Riverway
 Harlow, Essex CM 20 2TT, UK
 Phone: +44 1279 635533
 Fax: +44 1279 635262
 e-mail: sales@jumo.co.uk
 Internet: www.jumo.co.uk

JUMO Process Control, Inc.
 8 Technology Boulevard
 Canastota, NY 13032, USA
 Phone: 315-697-JUMO
 1-800-554-JUMO
 Fax: 315-697-5867
 e-mail: info@jumo.us
 Internet: www.jumo.us



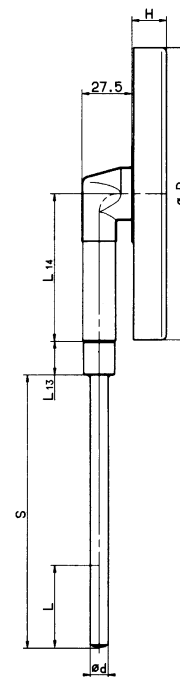
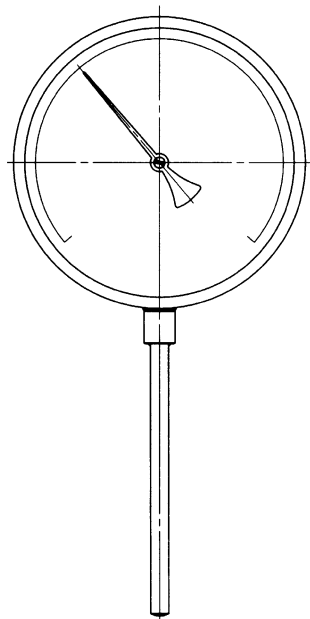
Dimensions

Types: 608002/1860
 608002/1880
 608002/1810



Type: 608002/1816

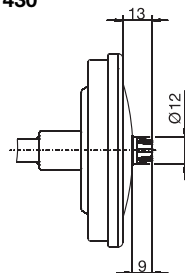
Type	Ø D	Ø D ₁	H	L ₁₄
608002/1860	60	65	17.5	26
608002/1880	80	85	18.5	51
608002/1810	100	106	18.5	51
608002/1816	160	—	20.0	81



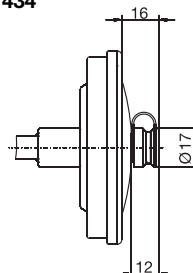
for dimensions Ø d and L₁₃,
 see Data Sheet 60.8730.

Extra codes

430



434



JUMO GmbH & Co. KG
 Delivery address: Mackenrodtstraße 14,
 36039 Fulda, Germany
 Postal address: 36035 Fulda, Germany
 Phone: +49 661 6003-0
 Fax: +49 661 6003-607
 e-mail: mail@jumo.net
 Internet: www.jumo.net

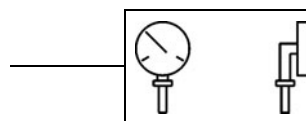
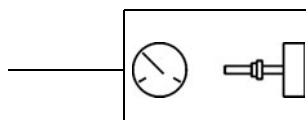
JUMO Instrument Co. Ltd.
 JUMO House
 Temple Bank, Riverway
 Harlow, Essex CM 20 2TT, UK
 Phone: +44 1279 635533
 Fax: +44 1279 635262
 e-mail: sales@jumo.co.uk
 Internet: www.jumo.co.uk

JUMO Process Control, Inc.
 8 Technology Boulevard
 Canastota, NY 13032, USA
 Phone: 315-697-JUMO
 1-800-554-JUMO
 Fax: 315-697-5867
 e-mail: info@jumo.us
 Internet: www.jumo.us



Order details

Order code	(1) Basic type
608002	Mechanical dial thermometer, industrial version, Class 1
(2) Basic type extension	
0150	Style 01; housing size: 50 mm dia.
0160	Style 01; housing size: 60 mm dia.
0180	Style 01; housing size: 80 mm dia.
0110	Style 01; housing size: 100 mm dia.
0116	Style 01; housing size: 160 mm dia.
1860	Style 18; housing size: 60 mm dia.
1880	Style 18; housing size: 80 mm dia.
1810	Style 18; housing size: 100 mm dia.
1816	Style 18; housing size: 160 mm dia.
(3) Indication range (AB)	
628	-20 to + 40°C; measuring range -10 to + 30°C, accuracy 1.0°C
632	-20 to + 60°C; measuring range -10 to + 60°C, accuracy 1.0°C
635	-20 to + 80°C; measuring range -10 to + 70°C, accuracy 1.0°C
639	-20 to +100°C; measuring range 0 to + 80°C, accuracy 2.0°C
643	-20 to +120°C; measuring range 0 to +100°C, accuracy 2.0°C
564	-30 to + 30°C; measuring range -20 to + 20°C, accuracy 1.0°C
566	-30 to + 50°C; measuring range -20 to + 40°C, accuracy 1.0°C
570	-30 to + 70°C; measuring range -20 to + 60°C, accuracy 1.0°C
585	-30 to +170°C; measuring range -10 to +150°C, accuracy 2.0°C
469	-40 to + 40°C; measuring range -30 to + 30°C, accuracy 1.0°C
472	-40 to + 60°C; measuring range -30 to + 50°C, accuracy 1.0°C
357	-50 to + 50°C; measuring range -40 to + 40°C, accuracy 1.0°C
807	0 to + 60°C; measuring range +10 to + 50°C, accuracy 1.0°C
810	0 to + 80°C; measuring range +10 to + 70°C, accuracy 1.0°C
814	0 to +100°C; measuring range +10 to + 90°C, accuracy 1.0°C
818	0 to +120°C; measuring range +20 to +100°C, accuracy 2.0°C
826	0 to +160°C; measuring range +20 to +140°C, accuracy 2.0°C
832	0 to +200°C; measuring range +20 to +180°C, accuracy 2.0°C
834	0 to +250°C; measuring range +30 to +220°C, accuracy 2.5°C
840	0 to +300°C; measuring range +30 to +270°C, accuracy 5.0°C
843	0 to +350°C; measuring range +50 to +300°C, accuracy 5.0°C
848	0 to +400°C; measuring range +50 to +350°C, accuracy 5.0°C
854	0 to +500°C; measuring range +50 to +450°C, accuracy 5.0°C



JUMO GmbH & Co. KG
 Delivery address: Mackenrodtstraße 14,
 36039 Fulda, Germany
 Postal address: 36035 Fulda, Germany
 Phone: +49 661 6003-0
 Fax: +49 661 6003-607
 e-mail: mail@jumo.net
 Internet: www.jumo.net

JUMO Instrument Co. Ltd.
 JUMO House
 Temple Bank, Riverway
 Harlow, Essex CM 20 2TT, UK
 Phone: +44 1279 635533
 Fax: +44 1279 635262
 e-mail: sales@jumo.co.uk
 Internet: www.jumo.co.uk

JUMO Process Control, Inc.
 8 Technology Boulevard
 Canastota, NY 13032, USA
 Phone: 315-697-JUMO
 1-800-554-JUMO
 Fax: 315-697-5867
 e-mail: info@jumo.us
 Internet: www.jumo.us



Order details

Order code	(4) Process connection (PA)¹	
010	TA 01; immersion tube with shoulder	
844	TA 02; immersion tube with union nut and loose nipple ^{2, 4}	
845	TA 03; immersion tube with loose union nut ⁴	
846	TA 04; immersion tube with fixed hexagon ²	
847	TA 06; immersion tube with sliding clamp fitting (20 bar max.) ^{2, 4}	
018	TA 08; immersion tube with sliding fixing plate (zinc-plated steel) and fixing screw ⁴	
858	SH04; screw-in pocket, solid, to DIN 16 179 ⁴	
891	SH05; screw-in pocket, assembled ^{2, 4}	
913	SH07; screw-in pocket, assembled, with fixing screw ^{2, 4}	
820	SH09; weld-in pocket, assembled, with fixing screw ⁴	
	(5) Diameter of process connection (PA)¹	
6	Ø 6 mm	
10	Ø 10 mm ⁴	
12	Ø 12 mm (with SH05, SH07 only)	
14	Ø 14 mm (with SH05, SH07, SH09 only)	
17	Ø 17 mm (with SH04 only)	
	(6) Type of thread for process connection (PA)¹	
000	no thread (TA01, TA08, SH09 only)	
102	thread G ¹ / ₄ (only with basic type extension 0150)	
103	thread G ³ / ₈ ⁴	
104	thread G ¹ / ₂ ⁴	
105	thread G ³ / ₄ ⁴	
144	thread 1/2-14NPT	
	(7) Material of probe¹	
26	stainless steel (CrNi, 1.4571)	
	(8) Material of process connection (PA)¹	
26	stainless steel (CrNi, 1.4571)	
	(9) Fitting length of process connection (PA) (dimension S)	
50	50 mm	
100	100 mm	
150	150 mm	
200	200 mm	
...	special length (details in plain text, in 50 mm steps)	
	(10) Extra code (TZ)³	
000	no extra code	
430	peak-reading pointer (only with basic type extension 0160, 0180, 0110, 1860, 1880, 1810 - min. indication range span: 100 °C; not with TZ 404)	
404	IP65 protection to EN 60 529 (only with basic type extension 0160, 0110, 1860, 1810; not with TZ 430, TZ 434)	
522	scale to customer specification	
434	peak-reading pointer, adjustable with screwdriver, protected by cap (only with basic type extension 0160, 0180, 0110, 1860, 1880, 1810; not with TZ 404)	

Special versions on request!

Order code

(1) 608002 / (2) ... - (3) ... - (4) ... - (5) .. - (6) ... - (7) .. - (8) .. - (9) ... / (10) ... , ...

Order example

608002 / 0180 - 818 - 845 - 10 - 104 - 26 - 26 - 100 / 000³

¹ See Data Sheet 60.8730 for description and special features.

² Screw-in spigot to DIN 3852 Form A (not with NPT thread).

³ List extra codes in sequence, separated by commas.

⁴ not with basic type extension 0150.