

JUMO GmbH & Co. KG
 Delivery address: Mackenrodtstraße 14,
 36039 Fulda, Germany
 Postal address: 36035 Fulda, Germany
 Phone: +49 661 6003-0
 Fax: +49 661 6003-607
 e-mail: mail@jumo.net
 Internet: www.jumo.net

JUMO Instrument Co. Ltd.
 JUMO House
 Temple Bank, Riverway
 Harlow, Essex CM 20 2TT, UK
 Phone: +44 1279 635533
 Fax: +44 1279 635262
 e-mail: sales@jumo.co.uk
 Internet: www.jumo.co.uk

JUMO Process Control, Inc.
 8 Technology Boulevard
 Canastota, NY 13032, USA
 Phone: 315-697-JUMO
 1-800-554-JUMO
 Fax: 315-697-5867
 e-mail: info@jumo.us
 Internet: www.jumo.us



Dial Thermometer Standard Version

- Temperature indicator with a bimetal sensing system
- Steel housing
- Class 1.5
- IP51 protection
- Housing sizes: 50 mm, 63 mm, 80 mm, 100 mm and 160 mm dia.

Brief description

Standard version dial thermometers are instruments for universal use in on-site temperature measurement.



Type 608001/1810

Technical data

| | Basic type extensions | |
|-----------------------------------|---|---|
| | 0150, 0163, 0180, 0110, 1863, 1880, 1810 | 0116, 1816 |
| Housing | housing and bezel in zinc-plated steel angle block in aluminium (style 18) | housing and bezel in stainless steel (1.4301) |
| Protection | IP51 to DIN 60 529 | |
| Window | glass, with extra code 432 in plexiglass (PMMA) | |
| Scale | blank aluminium, black lettering | |
| Indication | linear, Class 1.5 similar to EN 13190 | |
| Response time | $t_{0.9}$ response approx 30 sec (measured in agitated water with a 10 mm dia. brass probe) | |
| Ambient temperature effect | no effect | |
| Limit temperatures | -30 to +80°C (storage and transport -30 to +80°C) | |
| Nominal position | unrestricted | |

JUMO GmbH & Co. KG
 Delivery address: Mackenrodtstraße 14,
 36039 Fulda, Germany
 Postal address: 36035 Fulda, Germany
 Phone: +49 661 6003-0
 Fax: +49 661 6003-607
 e-mail: mail@jumo.net
 Internet: www.jumo.net

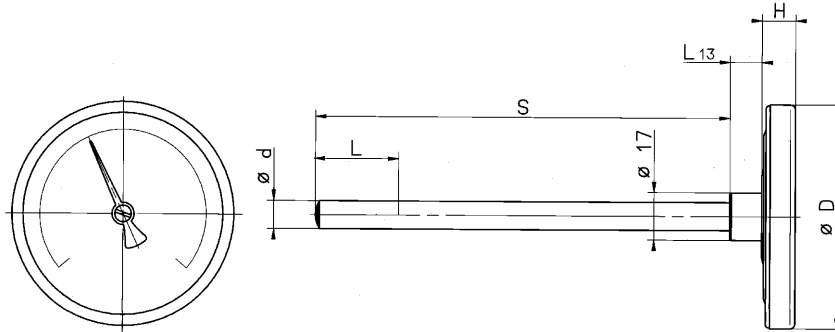
JUMO Instrument Co. Ltd.
 JUMO House
 Temple Bank, Riverway
 Harlow, Essex CM 20 2TT, UK
 Phone: +44 1279 635533
 Fax: +44 1279 635262
 e-mail: sales@jumo.co.uk
 Internet: www.jumo.co.uk

JUMO Process Control, Inc.
 8 Technology Boulevard
 Canastota, NY 13032, USA
 Phone: 315-697-JUMO
 1-800-554-JUMO
 Fax: 315-697-5867
 e-mail: info@jumo.us
 Internet: www.jumo.us

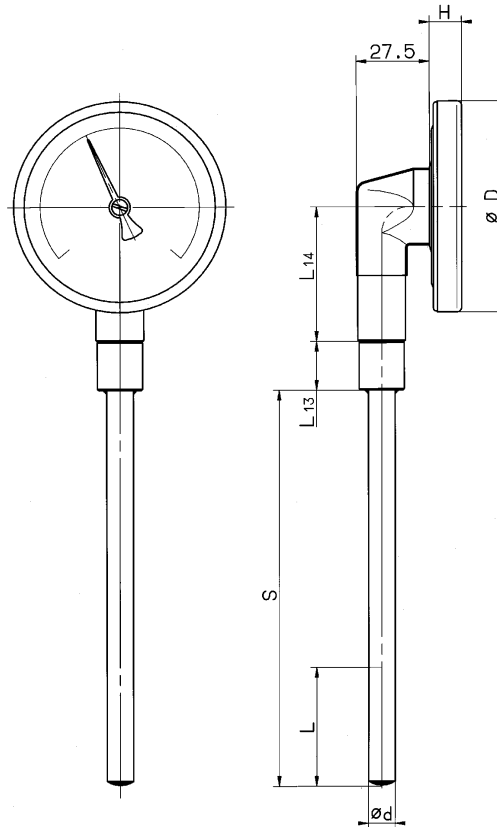


Dimensions

Types: 608001/0150
 608001/0163
 608001/0180
 608001/0110
 608001/0116



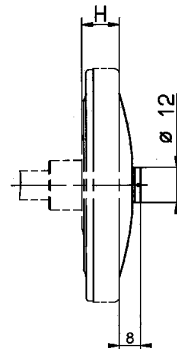
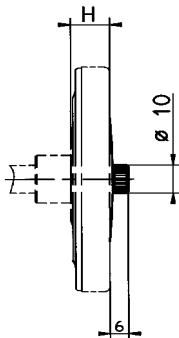
Types: 608001/1863
 608001/1880
 608001/1810
 608001/1816



Extra codes

430

432



| Type | Ø D | H | L ₁₄ |
|-------------|-----|----|-----------------|
| 608001/0150 | 50 | 13 | -- |
| 608001/0163 | 63 | 14 | -- |
| 608001/1863 | | | 26 |
| 608001/0180 | 80 | 13 | -- |
| 608001/1880 | | | 51 |
| 608001/0110 | 100 | 18 | -- |
| 608001/1810 | | | 51 |
| 608001/0116 | 160 | 19 | -- |
| 608001/1816 | | | 81 |

See Data Sheet 60.8730 for dimensions Ø d and L₁₃.

JUMO GmbH & Co. KG
 Delivery address: Mackenrodtstraße 14,
 36039 Fulda, Germany
 Postal address: 36035 Fulda, Germany
 Phone: +49 661 6003-0
 Fax: +49 661 6003-607
 e-mail: mail@jumo.net
 Internet: www.jumo.net

JUMO Instrument Co. Ltd.
 JUMO House
 Temple Bank, Riverway
 Harlow, Essex CM 20 2TT, UK
 Phone: +44 1279 635533
 Fax: +44 1279 635262
 e-mail: sales@jumo.co.uk
 Internet: www.jumo.co.uk

JUMO Process Control, Inc.
 8 Technology Boulevard
 Canastota, NY 13032, USA
 Phone: 315-697-JUMO
 1-800-554-JUMO
 Fax: 315-697-5867
 e-mail: info@jumo.us
 Internet: www.jumo.us



Order details

Dial thermometer, standard version, Type 608001

| Order code | (1) Basic type | |
|------------------------------------|---|--|
| 608001 | Mechanical dial thermometer, standard version, Class 1.5 | |
| (2) Basic type extensions | | |
| 0150 | Style 01; housing size: 50 mm dia. | |
| 0163 | Style 01; housing size: 63 mm dia. | |
| 0180 | Style 01; housing size: 80 mm dia. | |
| 0110 | Style 01; housing size: 100 mm dia. | |
| 0116 | Style 01; housing size: 160 mm dia. | |
| 1863 | Style 18; housing size: 63 mm dia. | |
| 1880 | Style 18; housing size: 80 mm dia. | |
| 1810 | Style 18; housing size: 100 mm dia. | |
| 1816 | Style 18; housing size: 160 mm dia. | |
| (3) Indication range (AB) | | |
| 628 | -20 to + 40°C; measuring range -10 to + 30°C, accuracy 1.5°C | |
| 632 | -20 to + 60°C; measuring range -10 to + 60°C, accuracy 1.5°C | |
| 635 | -20 to + 80°C; measuring range -10 to + 70°C, accuracy 1.5°C | |
| 639 | -20 to +100°C; measuring range 0 to + 80°C, accuracy 3.0°C | |
| 643 | -20 to +120°C; measuring range 0 to +100°C, accuracy 3.0°C | |
| 564 | -30 to + 30°C; measuring range -20 to + 20°C, accuracy 1.5°C | |
| 566 | -30 to + 50°C; measuring range -20 to + 40°C, accuracy 1.5°C | |
| 570 | -30 to + 70°C; measuring range -20 to + 60°C, accuracy 1.5°C | |
| 585 | -30 to +170°C; measuring range -10 to +150°C, accuracy 3.0°C | |
| 469 | -40 to + 40°C; measuring range -30 to + 30°C, accuracy 1.5°C | |
| 472 | -40 to + 60°C; measuring range -30 to + 50°C, accuracy 1.5°C | |
| 357 | -50 to + 50°C; measuring range -40 to + 40°C, accuracy 1.5°C | |
| 807 | 0 to + 60°C; measuring range +10 to + 50°C, accuracy 1.5°C | |
| 810 | 0 to + 80°C; measuring range +10 to + 70°C, accuracy 1.5°C | |
| 814 | 0 to +100°C; measuring range +10 to + 90°C, accuracy 1.5°C | |
| 818 | 0 to +120°C; measuring range +20 to +100°C, accuracy 3.0°C | |
| 826 | 0 to +160°C; measuring range +20 to +140°C, accuracy 3.0°C | |
| 832 | 0 to +200°C; measuring range +20 to +180°C, accuracy 3.0°C | |
| 834 | 0 to +250°C; measuring range +30 to +220°C, accuracy 4.0°C | |
| 840 | 0 to +300°C; measuring range +30 to +270°C, accuracy 8.0°C | |
| 843 | 0 to +350°C; measuring range +50 to +300°C, accuracy 8.0°C | |
| 848 | 0 to +400°C; measuring range +50 to +350°C, accuracy 8.0°C | |
| 854 | 0 to +500°C; measuring range +50 to +450°C, accuracy 8.0°C | |
| (4) Process connection (PA) | | |
| 010 | TA 01; immersion tube with shoulder | |
| 844 | TA 02; immersion tube with union nut and loose nipple ²⁾ | |
| 845 | TA 03; immersion tube with loose union nut | |
| 841 | TA 04; immersion tube with fixed hexagon ²⁾ | |
| 847 | TA 06; immersion tube with sliding clamp fitting (20 bar max.) ²⁾ | |
| 018 | TA 08; immersion tube with sliding fixing plate in zinc-plated steel and fixing screw | |
| 858 | SH04; screw-in pocket, one-piece | |
| 891 | SH05; screw-in pocket, assembled | |
| 913 | SH07; screw-in pocket, assembled, with fixing screw | |
| 820 | SH09; weld-in pocket, assembled, with fixing screw | |

JUMO GmbH & Co. KG
 Delivery address: Mackenrodtstraße 14,
 36039 Fulda, Germany
 Postal address: 36035 Fulda, Germany
 Phone: +49 661 6003-0
 Fax: +49 661 6003-607
 e-mail: mail@jumo.net
 Internet: www.jumo.net

JUMO Instrument Co. Ltd.
 JUMO House
 Temple Bank, Riverway
 Harlow, Essex CM 20 2TT, UK
 Phone: +44 1279 635533
 Fax: +44 1279 635262
 e-mail: sales@jumo.co.uk
 Internet: www.jumo.co.uk

JUMO Process Control, Inc.
 8 Technology Boulevard
 Canastota, NY 13032, USA
 Phone: 315-697-JUMO
 1-800-554-JUMO
 Fax: 315-697-5867
 e-mail: info@jumo.us
 Internet: www.jumo.us



Order details

Dial thermometer, standard version, Type 608001

| | |
|-------------------|---|
| Order code | (5) Diameter of process connection (PA)¹⁾ |
| 6 | 6 mm dia. |
| 10 | 10 mm dia. |
| 12 | 12 mm dia. (with SH05, SH07 only) |
| 14 | 14 mm dia. (with SH05, SH07, SH09 only) |
| 17 | 17 mm dia. (with SH04 only) |
| | (6) Thread for process connection (PA)¹⁾ |
| 000 | no thread (TA01 only) |
| 103 | G ^{3/8} thread |
| 104 | G ^{1/2} thread |
| 105 | G ^{3/4} thread |
| 144 | 1/2-14NPT thread |
| | (7) Material of probe¹⁾ |
| 01 | steel (St) |
| 26 | stainless steel (CrNi, 1.4571) |
| 46 | brass (CuZn) (up to 200°C) |
| | (8) Material of process connection (PA)¹⁾ |
| 01 | steel (St) |
| 26 | stainless steel (CrNi, 1.4571) |
| 46 | brass (CuZn) |
| | (9) Fitting length of process connection (PA) (dimension S) |
| 50 | 50 mm |
| 100 | 100 mm |
| 150 | 150 mm |
| 200 | 200 mm |
| ... | special length (details in plain text, in 50 mm steps) |
| | (10) Extra codes (TZ) |
| 000 | no extra code |
| 430 | peak-reading pointer (only with basic type extension 0163, 0180, 0110, 1863, 1880, 1810, indication range span: 100 °C min.) |
| 432 | marker (plexiglass window, only with basic type extension 0163, 0180, 0110, 1863, 1880, 1810, +70°C max. ambient temperature) |
| 522 | customized scale |

Special versions on request!

Order code

(1) (2) (3) (4) (5) (6) (7) (8) (9) (10)
 608001 / - ... - ... - .. - ... - .. - .. - ... / ... , ...

Order example

608001 / 0180 - 818 - 845 - 10 - 104 - 96 - 46 - 100 / 000³⁾ , ...

¹⁾ See Data Sheet 60.8730 for description and features.

²⁾ Screw-in spigot to DIN 3852 Form A (not with NPT thread).

³⁾ List extra codes in sequence, separated by commas.