

JUMO GmbH & Co. KG
 Delivery address: Mackenrodtstraße 14,
 36039 Fulda, Germany
 Postal address: 36035 Fulda, Germany
 Phone: +49 661 6003-0
 Fax: +49 661 6003-607
 e-mail: mail@jumo.net
 Internet: www.jumo.net

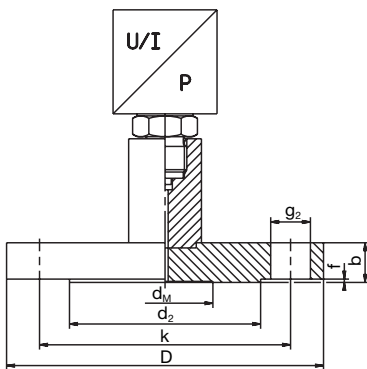
JUMO Instrument Co. Ltd.
 JUMO House
 Temple Bank, Riverway
 Harlow, Essex CM 20 2TT, UK
 Phone: +44 1279 635533
 Fax: +44 1279 635262
 e-mail: sales@jumo.co.uk
 Internet: www.jumo.co.uk

JUMO Process Control, Inc.
 8 Technology Boulevard
 Canastota, NY 13032, USA
 Phone: 315-697-JUMO
 1-800-554-JUMO
 Fax: 315-697-5867
 e-mail: info@jumo.us
 Internet: www.jumo.us



Pressure separator with flange connection to ANSI B 16.5 with sealing lip Form RF Type 409786

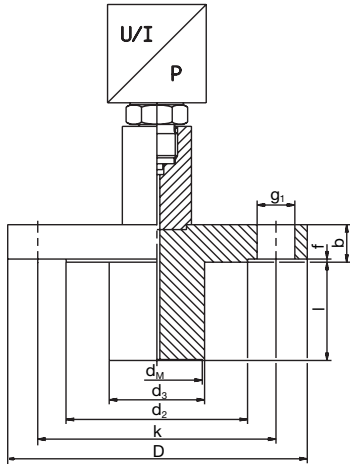
Diaphragm pressure separator Type 409786/00-...



Technical data

Process connection	Nominal pressure psi	Recommended min. pressure range bar	Weight (without meas. device) kg	Dimensions [mm]						
				D	d ₂	d _M	f	g ₂	k	b
DN2"	PN150	0 - 1	2.60	152	91.9	52	1.6	4 x Ø20	120.7	19.5
	PN300		3.40	165				8 x Ø20	127	22.5
	PN600		4.30	165			6.4	8 x Ø20	127	32
	PN1500		10.30	216				8 x Ø26	163.1	44.5
	PN2500		15.80	235				8 x Ø29	171.5	57.5
DN3"	PN150	0 - 0.6	5.10	191	127	80	1.6	4 x Ø20	152.4	24
	PN300		7.00	210				8 x Ø23	168.1	28.5
	PN600		8.60	210			6.4	8 x Ø23	168.1	38.5
	PN900		13.30	241				8 x Ø26	190.5	44.5
	PN1500		19.30	267				8 x Ø32	203.2	54.5
	PN2500		35.00	305				8 x Ø36	228.6	73
DN4"	PN150	0 - 0.6	7.20	229	157.2	80	1.6	8 x Ø20	190.5	24
	PN300		11.70	254				8 x Ø23	200.2	32
	PN400		13.90	254			6.4	8 x Ø26	200.2	41.5
	PN600		17.50	273				8 x Ø26	215.9	44.5
	PN900		27.10	292				8 x Ø32	234.9	51

Diaphragm pressure separator Type 409786/19...



Technical data

Process connection	Nominal pressure psi	Recommended min. pressure range bar	Weight (without meas. device) kg	Dimensions [mm]								
				D	d ₂	d ₃	d _M	f	g ₂	k	b	l
DN2"	PN300	0 - 0.1	3.84	165	91.9	48.3	45	1.6	8 x Ø20	127	22.5	50
			4.16									100
			4.47									150
			4.77									200
DN3"	PN150	0 - 0.6	6.01	191	127	76	72	1.6	4 x Ø20	152.4	24	50
			6.56									100
			7.12									150
			7.67									200
	PN300		210	7.90	8 x Ø23	168.1	28.5	50				
				8.46				100				
				9.02				150				
				9.57				200				
DN4"	PN150	0 - 0.6	8.63	229	157.2	94	80	1.6	8 x Ø20	190.5	24	50
			9.90									100
			11.15									150
			12.40									200
	PN300		254	13.13	8 x Ø23	200.1	32	50				
				14.40				100				
				15.65				150				
				16.91				200				

Order details

- (1) Basic type**
409786 pressure separator with flange connection to ANSI B 16.5, with sealing lip Form RF
- (2) Basic type extension**
00 no tube
19 with tube
- (3) Process connection**
695 DN2"
696 DN3"
697 DN4"
- (4) Nominal pressure in psi**
0150 PN150
0300 PN300
0400 PN400
0600 PN600
0900 PN900
1500 PN1500
2500 PN2500
- (5) Tube length**
000 no tube
050 tube 50 mm long
100 tube 100 mm long
150 tube 150 mm long
200 tube 200 mm long
- (6) Material**
20 st. steel
99 special material¹
- (7) Filling liquid**
1 silicone oil
2 inert liquid
3 vegetable oil
- (8) Capillary**
0000 no capillary
0001 with cooling device
1000 1.0 m capillary
1500 1.5 m capillary
2000 2.0 m capillary
3000 3.0 m capillary
5000 5.0 m capillary

	(1)	(2)	(3)	(4)	(5)	(6)	(7)	(8)					
Order code	409786	/	<input type="text"/>	-	<input type="text"/>	-	<input type="text"/>	-	<input type="text"/>	-	<input type="text"/>	-	<input type="text"/>
Order example	409786	/	00	-	695	-	0300	-	000	-	20	-	3 - 1500

¹ please specify in plain text when ordering