

JUMO GmbH & Co. KG
 Delivery address: Mackenrodtstraße 14,
 36039 Fulda, Germany
 Postal address: 36035 Fulda, Germany
 Phone: +49 661 6003-0
 Fax: +49 661 6003-607
 e-mail: mail@jumo.net
 Internet: www.jumo.net

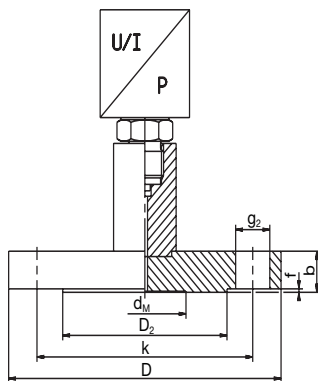
JUMO Instrument Co. Ltd.
 JUMO House
 Temple Bank, Riverway
 Harlow, Essex CM 20 2TT, UK
 Phone: +44 1279 635533
 Fax: +44 1279 635262
 e-mail: sales@jumo.co.uk
 Internet: www.jumo.co.uk

JUMO Process Control, Inc.
 8 Technology Boulevard
 Canastota, NY 13032, USA
 Phone: 315-697-JUMO
 1-800-554-JUMO
 Fax: 315-697-5867
 e-mail: info@jumo.us
 Internet: www.jumo.us



Chemical Seals with flange connection EN 1092-1 with sealing lip Form B1 Type 409784

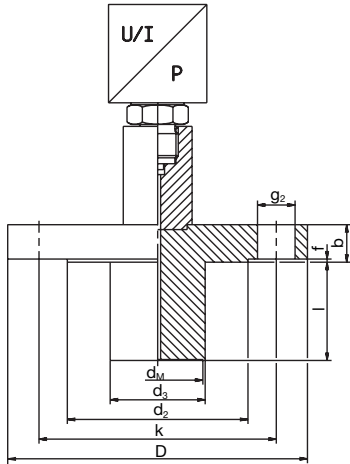
Diaphragm chemical seal without tube



Technical data

Process connection	Nominal pressure bar	Recommended min. pressure range bar	Weight (without meas. device) kg	Dimensions [mm]						
				D	d_2	d_M	f	g_2	k	b
DN25	PN40	0 - 4	1.40	115	68	28	2	4 x Ø14	85	18
DN50	PN40	0 - 1	3.00	165	102	52	3	4 x Ø18	125	20
	PN64		4.60	180				4 x Ø22	135	26
	PN100		5.70	195				4 x Ø26	145	28
	PN160		6.15	195				4 x Ø26	145	30
	PN250		7.70	200				8 x Ø26	150	38
	PN320		9.50	210				8 x Ø26	160	42
	PN400		14.70	235				8 x Ø30	180	52
DN80	PN16	0 - 0.6	4.35	200	138	80	3	8 x Ø18	160	20
	PN40		5.25	200				8 x Ø18	160	24
	PN64		6.95	215				8 x Ø22	170	28
	PN100		8.85	230				8 x Ø26	180	32
	PN160		10.05	230				8 x Ø26	180	36
	PN250		15.70	255				8 x Ø30	200	46
DN100	PN16	0 - 0.6	4.75	220	158	80	3	8 x Ø18	180	20
	PN40		6.65	235				162	8 x Ø22	190

Diaphragm chemical seal with tube



Technical data

Process connection	Nominal pressure bar	Recommended min. pressure range bar	Weight (without meas. device) kg	Dimensions [mm]								
				D	d ₂	d ₃	d _M	f	g ₂	k	b	l
DN50	PN40	0 - 1	3.44	165	102	48.3	45	3	4 x Ø18	125	20	50
			3.76									100
			4.07									150
			4.37									200
DN80	PN16	0 - 0.6	5.25	200	138	76	72	3	8 x Ø18	160	20	50
			5.81									100
			6.37									150
			6.92									200
	PN40		24								6.15	50
											6.71	100
											7.27	150
											7.82	200
DN100	PN16	0 - 0.6	6.25	220	158	94	80	3	8 x Ø18	180	20	50
			7.50									100
			8.75									150
			10.00									200
	PN40		24	8.15	235			162	8 x Ø22	190	24	50
				9.40								100
				10.70								150
				12.00								200

Order details

- (1) Basic type**
409784 Chemical seal with flange connection to EN 1092-1, with sealing lip Form B1
- (2) Basic type extension**
00 no tube
19 with tube
- (3) Process connection**
632 DN25
635 DN50
637 DN80
638 DN100
- (4) Nominal pressure in bar**
016 PN16
040 PN40
064 PN64
100 PN100
160 PN160
250 PN250
320 PN320
400 PN400
- (5) Tube length**
000 no tube
050 tube 50 mm long
100 tube 100 mm long
150 tube 150 mm long
200 tube 200 mm long
- (6) Material**
20 st. steel
99 special material¹
- (7) Filling liquid**
1 silicone oil
2 inert liquid
3 vegetable oil
- (8) Capillary**
0000 no capillary
0001 with cooling device
1000 1.0 m capillary
1500 1.5 m capillary
2000 2.0 m capillary
3000 3.0 m capillary
5000 5.0 m capillary

	(1)	(2)	(3)	(4)	(5)	(6)	(7)	(8)	
Order code	409784	/		-		-		-	
Order example	409784	/	19	-	635	-	040	-	050
									-
									3
									-
									1500

¹ please specify in plain text when ordering

Accessory

Flushing device

Connections to EN 1092-1, sealing lip Form B1, and former DIN 2526, sealing lip Form D

Process connection	Nominal pressure bar	Dimensions [mm]				Weight [kg]	Sales No.
		d1	d2	g	h		
DN50	PN 16 - 400	102	62	1/2"NPT	30	1.1	40/00432697
DN80		138	92			1.9	40/00438998
DN100		162	92			3.15	40/00439001