

JUMO GmbH & Co. KG
 Delivery address: Mackenrodtstraße 14,
 36039 Fulda, Germany
 Postal address: 36035 Fulda, Germany
 Phone: +49 661 6003-0
 Fax: +49 661 6003-607
 e-mail: mail@jumo.net
 Internet: www.jumo.net

JUMO Instrument Co. Ltd.
 JUMO House
 Temple Bank, Riverway
 Harlow, Essex CM 20 2TT, UK
 Phone: +44 1279 635533
 Fax: +44 1279 635262
 e-mail: sales@jumo.co.uk
 Internet: www.jumo.co.uk

JUMO Process Control, Inc.
 8 Technology Boulevard
 Canastota, NY 13032, USA
 Phone: 315-697-JUMO
 1-800-554-JUMO
 Fax: 315-697-5867
 e-mail: info@jumo.us
 Internet: www.jumo.us

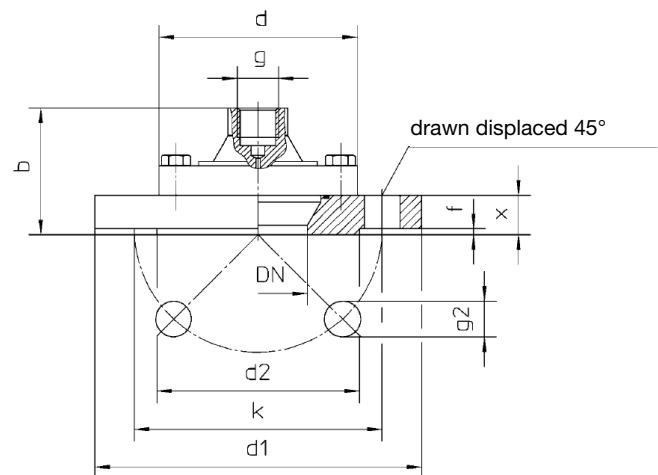
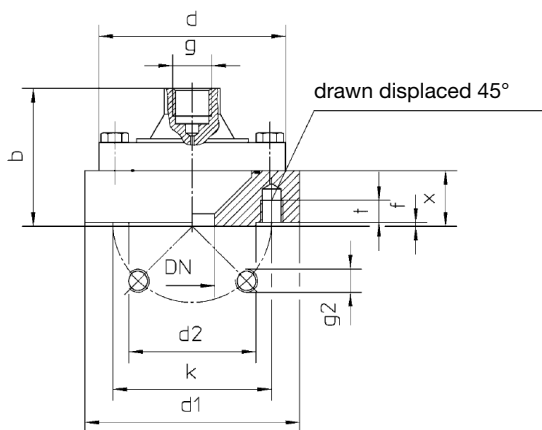


Diaphragm Chemical Seals 4MDV-10

Type 409780



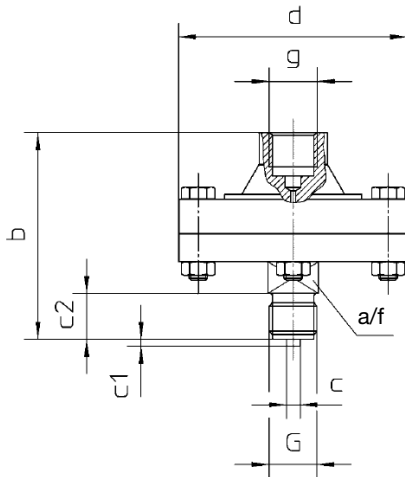
Diaphragm chemical seal 4MDV-10 with flange connection to EN 1092-1 Form B1 with DN15, 20 and 25 connections with DN50 connection



Technical data

| Process connection | Nominal pressure | Recomm. minimum range bar | Weight (without meas. device) kg | Dimensions [mm] | | | | | | | |
|--------------------|------------------|---------------------------|----------------------------------|-----------------|----------------|-----|----------------|----|----|------|----------------|
| | | | | DN | d ₂ | k | d ₁ | b | d | g | g ₂ |
| DN15 | PN 40 – 100 | 0 – 1 | 1.85 | 15 | 45 | 65 | 99 | 69 | 99 | G1/2 | 4 x M 12 |
| DN20 | | | 1.95 | 20 | 58 | 75 | 105 | | | | |
| DN25 | | 0 – 0.6 | 2.00 | 25 | 68 | 85 | 115 | 66 | | | |
| DN50 | | | 3.35 | 50 | 102 | 125 | 165 | 64 | | | |

Diaphragm chemical seal 4MDV-10 with G1/2 screw connection



Technical data

| Process connection | Nominal pressure | Recomm. minimum range bar | Weight (without meas. device) kg | Dimensions [mm] | | | | | | | |
|--------------------|------------------|---------------------------|----------------------------------|-----------------|-----|---|----------------|----------------|----|----|------|
| | | | | G | a/f | c | c ₁ | c ₂ | b | d | g |
| G1/2 | PN 40 – 250 | 0 – 1 | 1.43 | G1/2 | 22 | 6 | 3 | 20 | 90 | 99 | G1/2 |

Order details

- (1) Basic type**
409780 Diaphragm chemical seal 4MDV-10
- (2) Process connection**
504 G1/2 screw connection
726 DN15 flange connection
727 DN20 flange connection
728 DN25 flange connection
729 DN50 flange connection
- (3) Nominal pressure in bar**
040 PN40
100 PN100
250 PN250²
- (4) Material**
20 stainless steel
99 special material¹
- (5) Filling medium**
1 silicone oil
99 special filling medium¹
- (6) Capillary**
0000 without capillary
1000 1.0 m capillary
1500 1.5 m capillary
2000 2.0 m capillary
3000 3.0 m capillary
5000 5.0 m capillary

| | (1) | (2) | (3) | (4) | (5) | (6) | | | | | |
|----------------------|--------|-----|-----|-----|-----|-----|----|---|---|---|------|
| Order code | 409780 | / | | - | | - | 1 | - | | | |
| Order example | 409780 | / | 504 | - | 040 | - | 20 | - | 1 | - | 1000 |

¹ Please specify in plain text when ordering
² Only with process connection 504 "G1/2 screw connection"