

Delivery address: Mackenrodtstraße 14,  
36039 Fulda, Germany  
Postal address: 36035 Fulda, Germany  
Phone: +49 661 60 03-0  
Fax: +49 661 60 03-6 07  
E-mail: mail@jumo.net  
Internet: www.jumo.de

JUMO House  
Temple Bank, Riverway  
Harlow, Essex CM20 2TT, UK  
Phone: +44 12 79 63 55 33  
Fax: +44 12 79 63 52 62  
E-mail: sales@jumo.co.uk

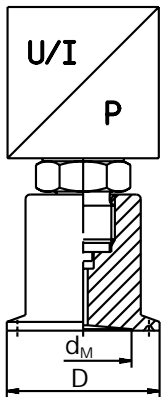
885 Fox Chase, Suite 103  
Coatesville PA 19320, USA  
Phone: 610-380-8002  
1-800-554-JUMO  
Fax: 610-380-8009  
E-mail: info@JumoUSA.com  
Internet: www.JumoUSA.com



# Pressure separator with clamp connection

## Type 409774

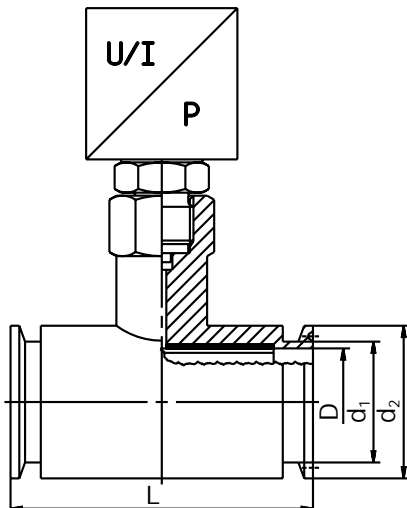
Diaphragm pressure separator Type 409774/17-...



### Technical data

Process connection	Nominal pressure bar	Recommended min. pressure range bar	Temperature coefficient mbar/10°C	Weight (without meas. device) kg	Dimensions [mm]	
					d <sub>M</sub>	D
DN 1½"	PN40	above 0.4	+12	0.32	34	50.5
DN 2"		above 0.1	+3	0.70	45	64

Pipe pressure separator Type 409774/18-...



### Technical data

Process connection	Nominal pressure bar	Recommended min. pressure range bar	Temperature coefficient mbar/10°C	Weight (without meas. device) kg	Dimensions [mm]			
					L	D	d <sub>1</sub>	d <sub>2</sub>
DN 1½"	PN40	above 0.4	+12	0.99	126	35.5	40	50.5
DN 2"		above 0.1	+3	1.69	100	48.6	55	64

## Order details

	<b>(1) Basic type</b>
409774	pressure separator with clamp connection
	<b>(2) Basic type extension</b>
17	diaphragm pressure separator
18	pipe pressure separator
	<b>(3) Process connection</b>
615	DN1½"
616	DN2"
	<b>(4) Nominal pressure in bar</b>
040	PN40
	<b>(5) Material</b>
20	st. steel
99	special material <sup>1</sup>
	<b>(6) Filling liquid</b>
1	silicone oil
2	inert liquid
3	vegetable oil
	<b>(7) Capillary</b>
0000	no capillary
0001	with cooling device
1000	1.0 m capillary
1500	1.5 m capillary
2000	2.0 m capillary
3000	3.0 m capillary
5000	5.0 m capillary

	(1)	(2)	(3)	(4)	(5)	(6)	(7)
Order code	409774	-					
Order example	409774	-	18	616	040	20	3

<sup>1</sup> please specify in plain text when ordering