

Delivery address: Mackenrodtstraße 14,  
36039 Fulda, Germany  
Postal address: 36035 Fulda, Germany  
Phone: +49 661 60 03-0  
Fax: +49 661 60 03-6 07  
E-mail: mail@jumo.net  
Internet: www.jumo.de

JUMO House  
Temple Bank, Riverway  
Harlow, Essex CM20 2TT, UK  
Phone: +44 12 79 63 55 33  
Fax: +44 12 79 63 52 62  
E-mail: sales@jumo.co.uk

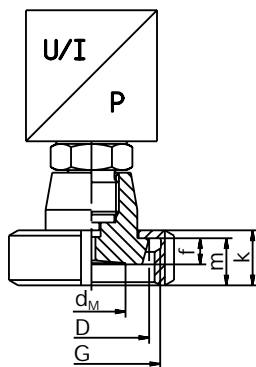
885 Fox Chase, Suite 103  
Coatesville PA 19320, USA  
Phone: 610-380-8002  
1-800-554-JUMO  
Fax: 610-380-8009  
E-mail: info@JumoUSA.com  
Internet: www.JumoUSA.com



## Pressure separator with taper fitting or threaded adaptor DIN 11 851 (milk pipe fitting)

### Type 409772

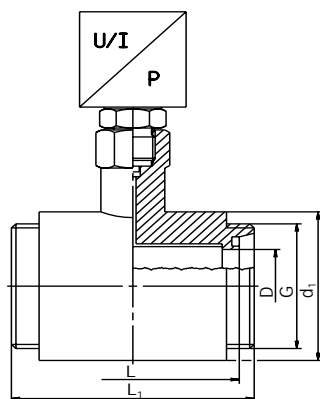
Diaphragm pressure separator Type 409772/17-...



#### Technical data

Process connection	Nominal pressure bar	Recommended min. pressure range bar	Temperature coefficient mbar/10°C	Weight (without meas. device) kg	Dimensions [mm]					
					d <sub>M</sub>	D	thread G	f	m	k
DN25	PN40	above 6	+20	0.50	28	44	Rd 52 x 1/6	10	18	21
DN32		above 2	+12	0.65	34	50	Rd 58 x 1/6			
DN40		above 0.4	+6	0.73	38	56	Rd 65 x 1/6			
DN50	PN25	above 0.1	+3	1.10	46	68	Rd 78 x 1/6	11		22

Pipe pressure separator Type 409772/18-...



#### Technical data

Process connection	Nominal pressure bar	Recommended min. pressure range bar	Temperature coefficient mbar/10°C	Weight (without meas. device) kg	Dimensions [mm]				
					L	L <sub>1</sub>	D	thread G	d <sub>1</sub>
DN40	PN40	above 0.4	+6	3.20	126	140	38.0	Rd 65 x 1/6	78
DN50		above 0.1	+3	2.55	100	114	50.7	Rd 78 x 1/6	88

## Order details

	<b>(1) Basic type</b>
409772	pressure separator with taper fitting DIN 11 851 or threaded adaptor DIN 11 851
	<b>(2) Basic type extension</b>
17	diaphragm pressure separator with taper fitting and ring nut
18	pipe pressure separator with threaded adaptor
	<b>(3) Process connection</b>
604	DN25 <sup>1</sup>
605	DN32 <sup>1</sup>
606	DN40
607	DN50
	<b>(4) Nominal pressure in bar</b>
025	PN25 <sup>1</sup>
040	PN40
	<b>(5) Material</b>
20	st. steel
99	special material <sup>2</sup>
	<b>(6) Filling liquid</b>
1	silicone oil
2	inert liquid
3	vegetable oil
	<b>(7) Capillary</b>
0000	no capillary
0001	with cooling device
1000	1.0 m capillary
1500	1.5 m capillary
2000	2.0 m capillary
3000	3.0 m capillary
5000	5.0 m capillary

	(1)	(2)	(3)	(4)	(5)	(6)	(7)						
<b>Order code</b>	409772	/		-		-		-		-		-	
<b>Order example</b>	409772	/	18	-	606	-	040	-	20	-	3	-	1500

<sup>1</sup> only for pressure separators with taper fitting (basic type extension 17)

<sup>2</sup> please specify in plain text when ordering