

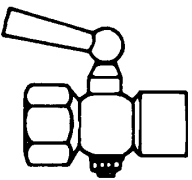
**JUMO GmbH & Co. KG**  
 Delivery address: Mackenrodtstraße 14,  
 36039 Fulda, Germany  
 Postal address: 36035 Fulda, Germany  
 Phone: +49 661 6003-0  
 Fax: +49 661 6003-607  
 e-mail: mail@jumo.net  
 Internet: www.jumo.net

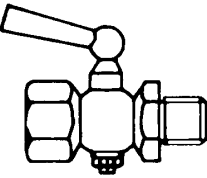
**JUMO Instrument Co. Ltd.**  
 JUMO House  
 Temple Bank, Riverway  
 Harlow, Essex CM 20 2TT, UK  
 Phone: +44 1279 635533  
 Fax: +44 1279 635262  
 e-mail: sales@jumo.co.uk  
 Internet: www.jumo.co.uk

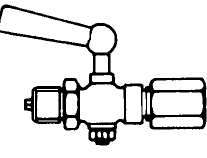
**JUMO Process Control, Inc.**  
 8 Technology Boulevard  
 Canastota, NY 13032, USA  
 Phone: 315-697-JUMO  
 1-800-554-JUMO  
 Fax: 315-697-5867  
 e-mail: info@jumo.us  
 Internet: www.jumo.us

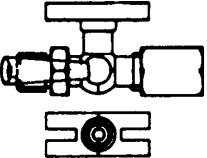


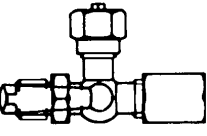
## Accessories for Pressure gauges


<b>Stopcock</b> similar to DIN 16 261 	brass socket x socket		
	ND	Connection	Type
	25	1/2" pipe	48010
	6	1/4" pipe	48110

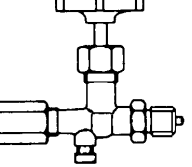
<b>Stopcock</b> similar to DIN 16 261 	brass nipple x socket		
	ND	Connection	Type
	25	1/2" pipe	48014
	6	1/4" pipe	48114

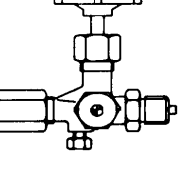
<b>Stopcock</b> similar to DIN 16 262 	Connec- tion	brass nipple x tension socket	
	1/2" pipe		
	ND	Material	Type
	25	brass	48016
	25	st. steel Ref. 1.4571	48616

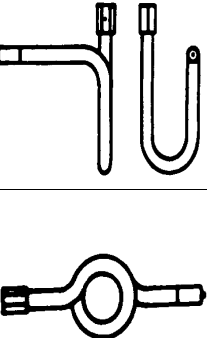
<b>Test cock</b> similar to DIN 16 263 	Connec- tion	Test flange 60 x 25	
	1/2" pipe	nipple x tension socket	
	ND	Material	Type
	25	brass	48034
	25	steel	48534
	25	st. steel Ref. 1.4571	48634

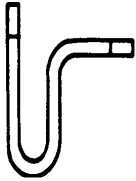

<b>Test cock</b> similar DIN 16 263 	Connec- tion	Test nipple M20 x 25	
	1/2" pipe	nipple x tension socket	
	ND	Material	Type
	25	brass	48035
	25	steel	48535
	25	st. steel Ref. 1.4571	48635

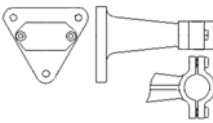
<b>Shock absorber</b> (adjustable) 	Connec- tion	with restrictor screw in entry duct, locked at the side	
	1/2" pipe		
	ND	Material	Type
	250	brass	48088
	600	steel	48588
	600	st. steel Ref. 1.4571	48688

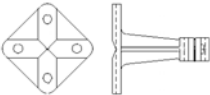
<b>Stop valve</b> DIN 16 270 	Connec- tion	nipple x tension socket	
	1/2" pipe		
	ND	Material	Type
	250	brass	48060
	600	steel	48560
	600	st. steel Ref. 1.4571	48660

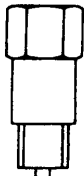
<b>Stop valve</b> DIN 16 271 	Connec- tion	Test nipple M20 x 1,5		
	1/2" pipe	nipple x tension socket		
	ND	Material	Type	
	250	brass	48070	
	600	steel	48570	
	600	st. steel Ref. 1.4571	48670	
	Test flange 60 x 25			
	250	brass	48071	
	600	steel	48571	
	600	st. steel Ref. 1.4571	48671	

<b>Water traps</b> DIN 16 282 	Inlet:	nipple 1/2" pipe	
	Outlet:	tension socket 1/2" pipe	
	Form	Material	Type
	A	steel	48591
	A	st. steel Ref. 1.4571	48691
	U-shape		
	C	steel	48596
C	st. steel Ref. 1.4571	48696	
T-shape			

<b>Water traps</b> similar to DIN spec.	Inlet:	1/2" pipe thread	
	Outlet:	1/2" pipe thread	
	Form	Material	Type
	U-shape	steel	48590
	U-shape	st. steel Ref. 1.4571	48690
	T-shape	steel	48595
	T-shape	st. steel Ref. 1.4571	48695

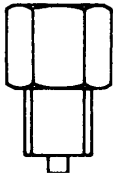
<b>Instrument bracket</b> Type H	Wall-mounting		
	Reach	Material	Type
	100	aluminium	48299

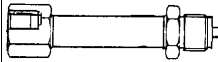
<b>Instrument bracket</b> Type A	Mounting on wall or 2" pipe		
	Reach	Material	Type
	100	cast iron	

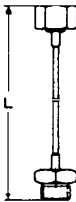
<b>Connectors</b> for Instrument bracket	Connection 1/2" pipe		
		Material	Type
		brass	48089
		steel	48589
		st. steel Ref. 1.4571	48689


<b>Tension sockets</b>	DIN 16 283		
	Thread	Material	Type
	1/2" pipe	brass	48082
	1/2" pipe	steel	48582
	1/2" pipe	st. steel Ref. 1.4571	48682

<b>Union nut with nipple</b>	DIN 16 284		
	Thred	Material	Type
	1/2" pipe	st. steel Ref. 1.4571	48685
	1/2" pipe	brass	48085
	1/2" pipe	st. steel Ref. 1.4571	48685

	Material: brass		
	Thread		Type
	internal	external	
	G1/4	1/8" pipe	48187/2
	G1/4	3/8" pipe	48187/4
	G1/4	1/2" pipe	TN 00026268
	G1/2	1/4" pipe	48087/8
	G1/2	3/8" pipe	48087/9
	G1/2	3/4" pipe	48087/10
	G1/2	M20 x 1,5	48087/11
	G1/2	M14 x 1,5	48087/97
	G1/2	M18 x 1,5	48087/98
	G1/2	1/2" NPT	48087/99
	Material: st. steel Ref. 1.4571		
	G1/4	1/2" pipe	TN 00060609
G1/2	3/8" pipe	48687/9	
G1/2	3/4" pipe	48687/10	
G1/2	M14 x 1,5	48687/97	
G1/2	M18 x 1,5	48687/98	
G1/2	M20 x 1,5	48687/11	
G1/2	1/2" NPT	48687/99	

	Material: st. steel Ref. 1.4571		
	Conne- ction		Type
	1/2" pipe		48698 TN 00082371

	Material: st. steel Ref. 1.4571		
	internal dia. 2 mm		
	Conne- ction	Leght	Type
	G1/2	1 m  other lenghts up to 20 m to special order	48699

	DIN 16 258 (flat)		
	Conne- ction	Material	Type
	1/4" pipe	Uni "N" blue	48384
	1/4" pipe	copper	48184
	1/4" pipe	st. steel Ref. 1.4571	
	1/2" pipe	copper	48084
	1/2" pipe	st. steel Ref. 1.4571	48684