

Delivery address: Mackenrodtstraße 14,  
36039 Fulda, Germany  
Postal address: 36035 Fulda, Germany  
Phone: +49 (0) 661 60 03-0  
Fax: +49 (0) 661 60 03-5 00  
E-Mail: mail@jumo.net  
Internet: www.jumo.de

JUMO House  
Temple Bank, Riverway  
Harlow, Essex CM20 2TT, UK  
Phone: +44 (0) 12 79 63 55 33  
Fax: +44 (0) 12 79 63 52 62  
E-Mail: info@jumoinstruments.fsnet.co.uk

735 Fox Chase  
Coatesville PA 19320, USA  
Phone: 610-380-8002  
1-800-554-JUMO  
Fax: 610-380-8009  
E-Mail: info@JumoUSA.com  
Internet: www.JumoUSA.com



## Pressure gauges in sheet steel case

NG 100, 160

Class 1.0; Protection IP 53

Pressure ranges -1 bar to +600 bar

### General application

JUMO-manic pressure gauges are used for measuring pressures in liquid and gaseous media which are not highly viscous and do not crystallize out.

### Functional description

The pressure in the medium to be measured acts directly on the Bourdon tube, the free end of which rotates the pointer by a mechanical linkage.



### Technical data

#### Housing

Steel, painted black, with front flange or bayonet ring (only for types 410 and 411).

#### Window

3 mm flat instrument glass  
for types 407 and 408

#### Dial

white, black lettering to DIN 16109

#### Mechanism

Copper alloy

#### Measuring element

up to 40 bar  
C-spring in CuSn8, soft-soldered  
from 60 bar  
coil spring in stainless steel,  
Mat.Ref. 1.4571, brazed.

#### Pressure connection

½" pipe thread to DIN 16 288,  
in copper alloy.

#### Indication accuracy

Class 1.0 to DIN 16 005

#### Loading

to DIN 16 005  
with steady pressure  
¾ of full scale

with fluctuating pressure  
⅔ of full scale

#### Premitted medium and ambient temperature

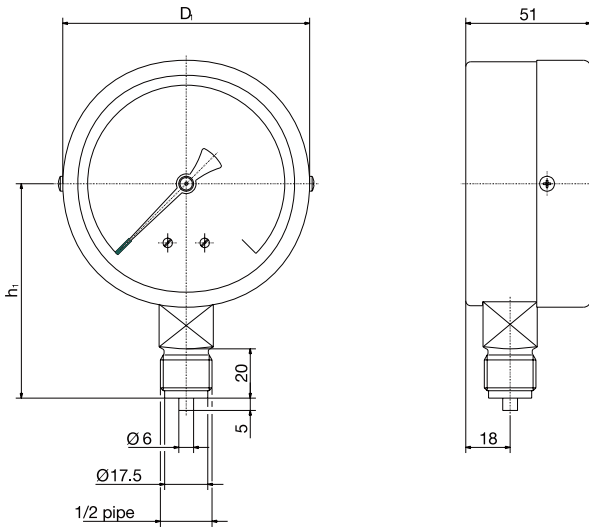
-20 to +50 °C for ranges up to 40 bar  
-20 to +100 °C for ranges from 60 bar,  
and for extra code /76

#### Scale range

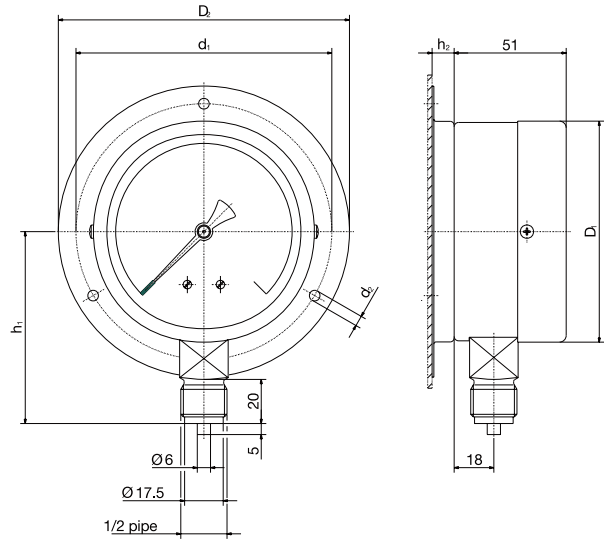
- 1 to 0	bar
- 1 to 0.6	bar
- 1 to 1.5	bar
- 1 to 3	bar
- 1 to 5	bar
- 1 to 9	bar
- 1 to 15	bar
0 to 0.6	bar
0 to 1	bar
0 to 1.6	bar
0 to 2.5	bar
0 to 4	bar
0 to 6	bar
0 to 10	bar
0 to 16	bar
0 to 25	bar
0 to 40	bar
0 to 60	bar
0 to 100	bar
0 to 160	bar
0 to 250	bar
0 to 400	bar
0 to 600	bar

# Dimensions

## Type 407, 408



## Type 407/61, 408/61



$\text{Ø}$  = diameter

Type	$D_1$	$D_2$	$d_1$	$d_2$	$h_1$	$h_2$
407	100	132	116	4.8	87	10
408	160	196	178	5.8	118	6

## Ordering details

### (1) Basic type

404010 Jumo-manic pressure gauge in steel case

### (2) Pressure connection ( $\text{Ø}$ = diameter)

407  $\text{Ø} 100$  mm, concentric, bottom entry,  $1/2$ " pipe thread

408  $\text{Ø} 160$  mm, concentric, bottom entry,  $1/2$ " pipe thread

### (3) Extra codes<sup>1</sup>

00 no extra code (standard)

01 restrictor in pressure connection

07 flange for front fixing (only with  $\text{Ø} 100$ )

60 red mark on dial (define position when ordering)

61 rear fixing flange, black

76 parts in contact with medium in stainless steel, Mat.Ref. 1.4571

### (4) Measurement range<sup>2</sup>

-1 to 0 bar

-1 to 0.6 bar

-1 to 1.5 bar

-1 to 3 bar

-1 to 5 bar

-1 to 9 bar

-1 to 15 bar

0 to 0.6 bar

0 to 1 bar

0 to 1.6 bar

0 to 2.5 bar

0 to 4 bar

0 to 6 bar

0 to 10 bar

0 to 16 bar

0 to 25 bar

0 to 40 bar

0 to 60 bar

0 to 100 bar

0 to 160 bar

0 to 250 bar

0 to 400 bar

0 to 600 bar

Ordering code

(1)  (2)  (3)<sup>1</sup> , (4)<sup>2</sup>

Ordering example

404010 - 407 / 60 , 0 to 1.6 bar

<sup>1</sup> If more than one extra code is required, please write them one after another, separated by a comma (,).

<sup>2</sup> Please specify the range in plain text.