

JUMO GmbH & Co. KG
 Delivery address: Mackenrodtstraße 14,
 36039 Fulda, Germany
 Postal address: 36035 Fulda, Germany
 Phone: +49 661 6003-0
 Fax: +49 661 6003-607
 e-mail: mail@jumo.net
 Internet: www.jumo.net

JUMO Instrument Co. Ltd.
 JUMO House
 Temple Bank, Riverway
 Harlow, Essex CM 20 2TT, UK
 Phone: +44 1279 635533
 Fax: +44 1279 635262
 e-mail: sales@jumo.co.uk
 Internet: www.jumo.co.uk

JUMO Process Control, Inc.
 8 Technology Boulevard
 Canastota, NY 13032, USA
 Phone: 315-697-JUMO
 1-800-554-JUMO
 Fax: 315-697-5867
 e-mail: info@jumo.us
 Internet: www.jumo.us



Pressure gauges for flush panel mounting Types 4 EA-.. and 4 QA-..

General description

Jumo pressure gauges for flush panel mounting are used for pressure measurement in liquids and gases which are not highly viscous, do not crystallize out, and which do not attack copper alloys.

Applications include: machinery and mechanical equipment, pneumatics plant, compressor plant and pumping equipment.

Type designation

4 EA-60

4 Product Group pressure measurement

E flush-mounting case with round bezel

Q flush-mounting case with square bezel

A indicator

-60 case dia. 60 mm

-80 case dia. 80 mm

-10 case dia. 100 mm

-72 bezel 72 x 72 mm

-96 bezel 96 x 96 mm

Extra Codes

/01 restrictor in pressure connection

/07 chrome-plated brass ring for front mounting

/18 matt black bezel (round or square)

/60 red marking on dial

Accessory

Adaptor for 1/2" pipe
 (see Data Sheet 48.000)

Ordering example

Pressure gauge, flush-mounting

Type 4 EA-60/60
 range 0 to 4 bar,
 red mark at 1.5 bar

Type 4 QA-72
 range -1 to 0 bar,
 adaptor for 1/2" pipe

Operation

The pressure of the medium acts directly on the built-in Bourdon tube. The free end of this tube rotates the pointer through a mechanical linkage.

Technical data

Case
 steel, zinc plated

Round case
 with a round bezel in stainless steel,
 Mat. Ref. 1.4301, polished
 (optional: black, Code /18)

Square case
 with a narrow bezel in brass, chrome-plated
 (optional: black, Code /18)

Mounting
 by retaining bracket at the back, or
 mounting flange for front-mounting
 (Code /07, for round case only)

Dial
 white with black figuring to DIN 16 109 (other
 styles available on request)

Window
 flat instrument glass, 2 mm thick

Pressure connection
 concentric rear entry for 1/4" pipe,
 brass, to DIN 16 288

Measuring element
 bronze Bourdon tube, soft soldered

Mechanism
 in brass

Ranges

-1 to 0 bar	0 to 1 bar
-1 to 0 bar to 0.6 bar	0 to 1.6 bar
-1 to 0 bar to 1.5 bar	0 to 2.5 bar
-1 to 0 bar to 3 bar	0 to 4 bar
-1 to 0 bar to 5 bar	0 to 6 bar
-1 to 0 bar to 9 bar	0 to 10 bar
-1 to 0 bar to 15 bar	0 to 16 bar
	0 to 25 bar



Type 4 EA-80



Type 4 QA-80

Accuracy

DIN 16 005, Class 1.6
 for sizes 80, 100 mm dia.
 and 96 x 96 mm

DIN 16 005, Class 2.5
 for sizes 60 mm dia. and 72 x 72 mm

Loading
 to DIN 16 005:
 steady pressure:
 up to 3/4 of full scale

fluctuating pressure:
 up to 2/3 of full scale

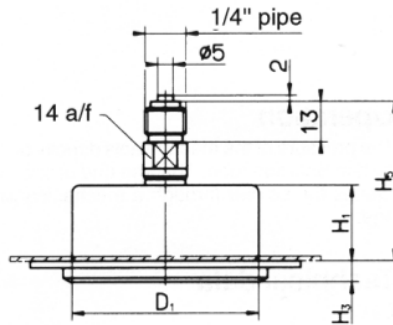
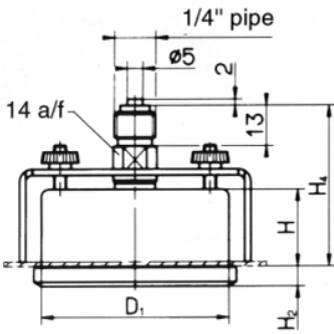
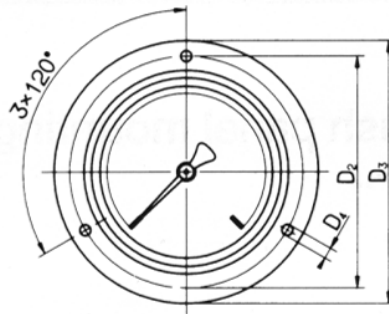
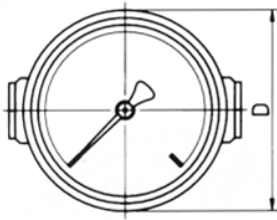
Permissible ambient and medium temperature

-20 to + 50 °C

Operating position

dial in vertical position,
 normal position 90° ± 5° to the horizontal
 = NL 90 to DIN 16 257

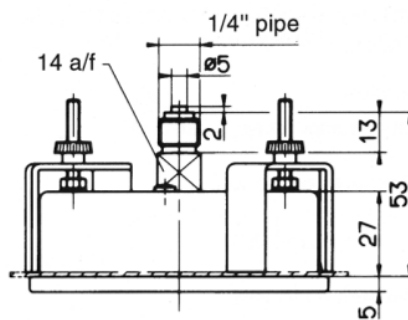
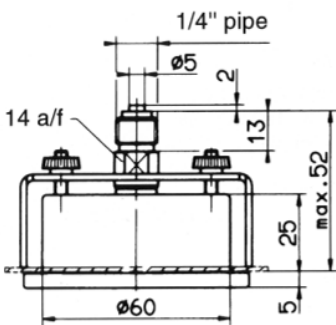
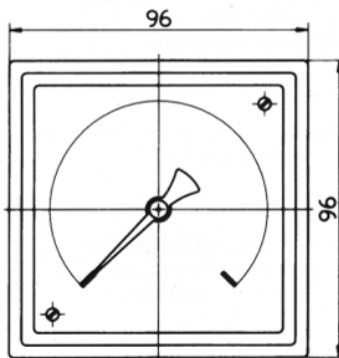
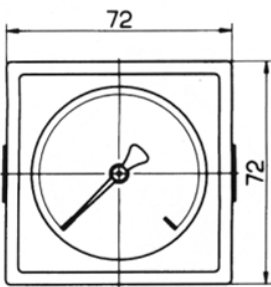
Dimensions



Type 4 EA-60, (-80, -10)

Type 4 EA-60, (-80, -10), Code / 07

mm	inch
2	0.08
3.6	0.14
4.8	0.19
5	0.20
6.4	0.25
6.7	0.26
7	0.28
7.5	0.30
7.6	0.30
9	0.35
13	0.51
25	0.98
27	1.06
30.5	1.20
52	2.05
53	2.09
60	2.36
65	2.56
72	2.83
75	2.95
80	3.15
85	3.35
95	3.74
96	3.78
100	3.94
105.5	4.15
110	4.33
116	4.57
132	5.20



Type 4 QA-72

Type 4 QA-96

Table of dimensions for case dia. 60, 80 and 100 mm with retaining bracket and mounting flange

Ø	H	H ₁	H ₂	H ₃	H ₄	H ₅	D	D ₁	D ₂	D ₃	D ₄
60	25	25	6.4	7	52	52	65	60	75	85	3.6
80	25	25	6.7	7.6	52	52	85	80	95	110	4.8
100	30.5	30.5	7.5	9	53	53	105.5	100	116	132	4.8