

JUMO GmbH & Co. KG
 Delivery address: Mackenrodtstraße 14,
 36039 Fulda, Germany
 Postal address: 36035 Fulda, Germany
 Phone: +49 661 6003-0
 Fax: +49 661 6003-607
 e-mail: mail@jumo.net
 Internet: www.jumo.net

JUMO Instrument Co. Ltd.
 JUMO House
 Temple Bank, Riverway
 Harlow, Essex CM 20 2TT, UK
 Phone: +44 1279 635533
 Fax: +44 1279 635262
 e-mail: sales@jumo.co.uk
 Internet: www.jumo.co.uk

JUMO Process Control, Inc.
 8 Technology Boulevard
 Canastota, NY 13032, USA
 Phone: 315-697-JUMO
 1-800-554-JUMO
 Fax: 315-697-5867
 e-mail: info@jumo.us
 Internet: www.jumo.us



Pressure Transmitter

JUMO MIDAS SI

Type 401006

Brief description

This pressure transmitter can be used for measuring the relative (gauge) and absolute pressures in liquids and gases. The pressure transmitter operates on the piezoresistive measuring principle. The pressure is converted into an electrical signal.

Technical data

Reference conditions

to DIN 16 086 and IEC 770/5.3

Measurement ranges

see Order details

Overload limit

for ranges up to
 0 – 25 bar 3 x full scale

Bursting pressure

for ranges up to
 0 – 25 bar ≤ 4 x full scale

Parts in contact with medium

standard: stainless steel, Mat. Ref. 1.4571,
 1.4435

Output

4 – 20 mA
 2-wire burden ≤ (U_B-10 V) / 0.02A
 0.5 – 4.5 V burden ≥ 20 kΩ
 1 – (5)6 V burden ≥ 10 kΩ
 0 – 10 V burden ≥ 10 kΩ

Burden error

< 0.5% max.

Zero signal deviation

≤ 0.3% of full scale

Thermal hysteresis

≤ ± 0.5% of full scale
 (within compensated temperature range)
 ≤ ± 1% for ranges
 0 – 250 mbar
 0 – 400 mbar
 0 – 600 mbar

Ambient temperature error

within range -20 to +85°C
 (compensated temperature range)
 zero: ≤ 0.02%/°C typical,
 ≤ 0.04%/°C max.
 span: ≤ 0.02%/°C typical,
 ≤ 0.04%/°C max.

Deviation from characteristic

≤ 0.5% of full scale
 (limit point adjustment)

Hysteresis

≤ 0.1% of full scale

Repeatability

≤ 0.05% of full scale

Response time

≤ 3 msec max.

Stability over 1 year

≤ 1% of full scale

Supply

10 – 30 V DC (for output 4 – 20 mA
 and 1 – (5)6 V)
 5 V DC (for output 0.5 – 4.5 V)
 11.5 – 30 V DC (for output 0 – 10 V)
 Ripple: the voltage spikes must not go out-
 side the limits specified for the supply.
 Max. current drawn: approx. 25 mA

Supply voltage error

≤ 0.02% per V
 (nominal supply voltage 24 V DC)
 ratiometric with supply 5 V DC (±0.5 V)

Permissible ambient temperature

for version with connector:
 -20 to +125°C
 for version with attached cable:
 -20 to +100°C

Storage temperature

-40 to +125°C
 for version with attached cable
 -20 to +100°C



Type 401006/000-xxx-xxx-xxx-20-61



Type 401006/000-xxx-xxx-xxx-20-36

Permissible temperature of medium
 -30 to +125°C

Electromagnetic compatibility (EMC)
 to EN 61 326

Mechanical shock
 (to IEC 68-2-27)
 100 g/1 msec

Mechanical vibration
 (to IEC 68-2-6)
 20 g max. at 15 – 2000 Hz

Protection

with terminal box
 IP65 to EN 60 529
 (connection cable diameter:
 5 mm min., 7 mm max.)
 with connection cable or
 with circular connector M 12 x 1
 IP67 to EN 60 529

Housing

stainless steel, Mat. Ref. 1.4301
 PBT

Pressure connection

see Order details;
 other connections on request

Electrical connection

see Order details
 terminal box to DIN 43 650,
 Style A,
 conductor cross-section up to 1.5 mm²;
 or
 attached 4-core PVC cable, 0.5 m long,
 other lengths on request
 or 4-pole circular connector
 M 12 x 1

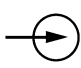
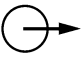
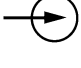
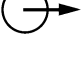
Nominal position

unrestricted

Weight

120 gm

Electrical connection

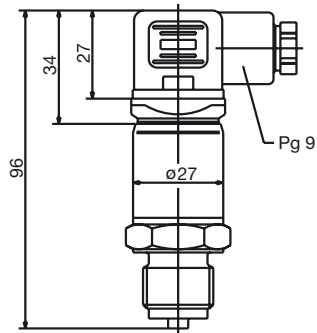
Connection		Terminal assignment		
		Terminal box	Cable	M12x1
Supply (for output) 10 – 30 V DC (1 – (5)6 V) 11.5 – 30 V DC (0 – 10 V) 5 V DC (0.5 – 4.5 V)		1 L+ 2 L-	white brown	1+ 2-
Output 1 – (5)6 V 0 – 10 V 0.5 – 4.5 V		2 - 3 +	brown yellow	2- 3+
Supply (for output) 10 – 30 V DC (4 – 20 mA, 2-wire)		1 L+ 2 L-	white brown	1+ 3-
Output 4 – 20 mA, 2-wire		1 + 2 -	white brown	1+ 3-
		proportional 4 to 20 mA current in supply		

Pin assignment

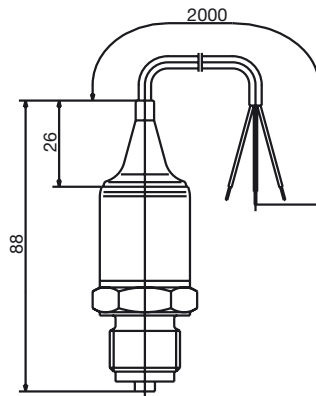


Dimensions

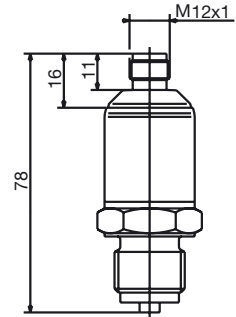
401006/000-XXX-XXX-504-20-61



401006/000-XXX-XXX-504-20-11

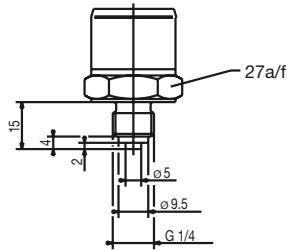


401006/000-XXX-XXX-504-20-36

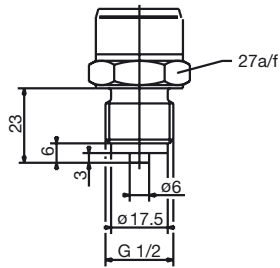


Process connections

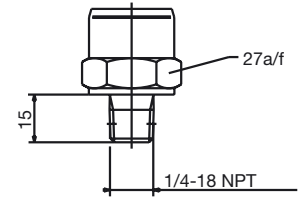
502



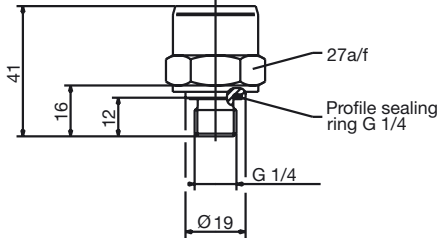
504



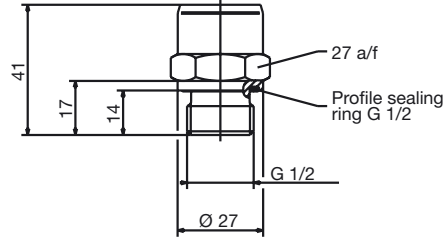
511



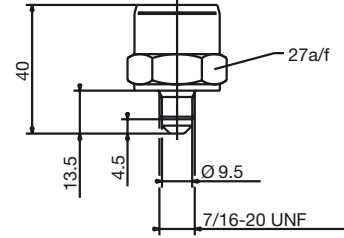
521



523



562



Order details

Basic type

401006 Pressure transmitter JUMO MIDAS SI

| **Basic type extension**

| /000 none
 | /999 special version

| | **Input**

| | 451 0 0.25 bar gauge pressure
 | | 452 0 0.4 bar gauge pressure
 | | 453 0 0.6 bar gauge pressure
 | | 454 0 1.0 bar gauge pressure
 | | 455 0 1.6 bar gauge pressure
 | | 478 -1 0 bar gauge pressure
 | | 479 -1 0.6 bar gauge pressure
 | | 487 0 0.6 bar absolute pressure
 | | 488 0 1.0 bar absolute pressure
 | | 489 0 1.6 bar absolute pressure
 | | 490 0 2.5 bar absolute pressure
 | | 491 0 4 bar absolute pressure
 | | 492 0 6 bar absolute pressure
 | | 493 0 10 bar absolute pressure
 | | 494 0 16 bar absolute pressure
 | | 495 0 25 bar absolute pressure
 | | 998 special absolute pressure range
 | | 999 special gauge pressure range

| | | **Output**

| | | 405 4 to 20 mA 2-wire
 | | | 412 0.5 to 4.5 V 3-wire
 | | | 415 0 to 10 V 3-wire
 | | | 418 1 to 5 V 3-wire
 | | | 420 1 to 6 V 3-wire

| | | | **Process connection (not front-flush)**

| | | | 502 G 1/4 to EN 837
 | | | | 504 G 1/2 to EN 837
 | | | | 511 1/4-18 NPT to EN 837
 | | | | 521 G 1/4 to DIN 3852 T11
 | | | | 523 G 1/2 to DIN 3852 T11
 | | | | 562 7/16 UNF

| | | | | **Material of process connection**

| | | | | 20 stainless steel

| | | | | | **Electrical connection**

| | | | | | 11 by attached cable 2 m
 | | | | | | 36 by circular connector M 12 x 1
 | | | | | | 61 by terminal box

| | | | | | | **Extra codes**

| | | | | | | 000 none
 | | | | | | | 591 Restrictor in pressure channel
 | | | | | | |

/ - - - - - / **Order code**

Accessories

Designation

4-pole straight socket M12x1 with 2m PVC cable
 4-pole angled socket M12x1 with 2 m PVC cable

Sales No.

40/00404585
 40/00409334