

**JUMO GmbH & Co. KG**  
 Delivery address: Mackenrodtstraße 14,  
 36039 Fulda, Germany  
 Postal address: 36035 Fulda, Germany  
 Phone: +49 661 6003-0  
 Fax: +49 661 6003-607  
 e-mail: mail@jumo.net  
 Internet: www.jumo.net

**JUMO Instrument Co. Ltd.**  
 JUMO House  
 Temple Bank, Riverway  
 Harlow, Essex CM 20 2TT, UK  
 Phone: +44 1279 635533  
 Fax: +44 1279 635262  
 e-mail: sales@jumo.co.uk  
 Internet: www.jumo.co.uk

**JUMO Process Control, Inc.**  
 8 Technology Boulevard  
 Canastota, NY 13032, USA  
 Phone: 315-697-JUMO  
 1-800-554-JUMO  
 Fax: 315-697-5867  
 e-mail: info@jumo.us  
 Internet: www.jumo.us



# Process fittings in stainless steel

**Type 202825**  
**Type 202831**

## Brief description

These fittings are used for holding and protecting sensors. They can either be fitted directly into existing stainless steel pipe systems or onto container walls. Type 202825 fittings are mainly installed in industrial plants with increased hygienic requirements. The wetted components and the sealing material used are approved by the FDA (Food and Drug Administration). Type 202831 fittings are predominantly used in water management and in process engineering. Both types of fittings are intended to accommodate sensors of 120 mm length. Other lengths to special order.

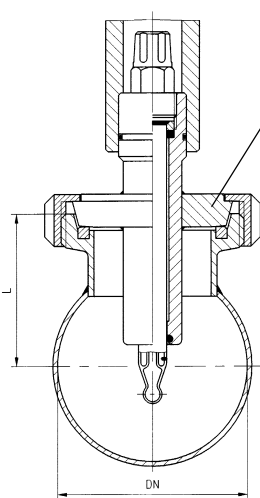


Type 202825



Type 202831

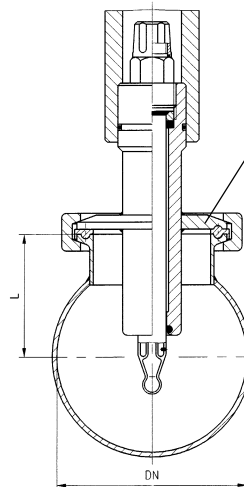
## Installation options



### Cone nipple

- DN 25DN (pipe)L (fitting dim.)**  
 DN 4065 mm  
 DN 5065 mm  
 DN 6557 mm  
 DN 8065 mm  
 DN 10075 mm  
 DN 12588 mm

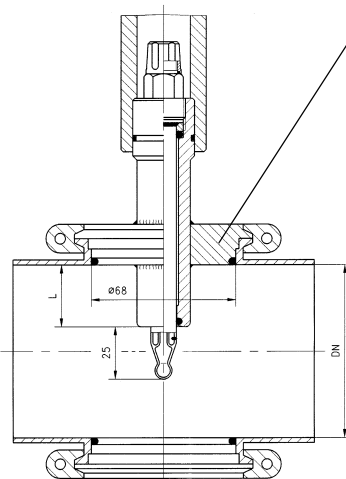
- DN 50DN (pipe)L (fitting dim.)**  
 DN 5063 mm  
 DN 6552 mm  
 DN 8063 mm  
 DN 10075 mm  
 DN 12590 mm



### Clamp connection

- DN 25DN (pipe)L (fitting dim.)**  
 DN 4058 mm  
 DN 5050 mm  
 DN 6550 mm  
 DN 8058 mm  
 DN 10068 mm  
 DN 12581 mm

- DN 50DN (pipe)L (fitting dim.)**  
 DN 5051 mm  
 DN 6540 mm  
 DN 8051 mm  
 DN 10063 mm  
 DN 12577 mm



### VARIVENT connection

- DN 40/50DN (pipe) L (fitting dim.)**  
 DN 40 5mm  
 DN 50 5mm  
 DN 65 30mm  
 DN 80 30mm  
 DN 100 30mm  
 DN 125 30mm

### Additional fittings

Type of fitting	Data Sheet
Flow-through fittings	T 20.2810
Immersion fittings	T 20.2820
Quick-change fittings	T 20.2822
Process fittings	T 20.2825

**JUMO GmbH & Co. KG**  
 Delivery address: Mackenrodtstraße 14,  
 36039 Fulda, Germany  
 Postal address: 36035 Fulda, Germany  
 Phone: +49 661 6003-0  
 Fax: +49 661 6003-607  
 e-mail: mail@jumo.net  
 Internet: www.jumo.net

**JUMO Instrument Co. Ltd.**  
 JUMO House  
 Temple Bank, Riverway  
 Harlow, Essex CM 20 2TT, UK  
 Phone: +44 1279 635533  
 Fax: +44 1279 635262  
 e-mail: sales@jumo.co.uk  
 Internet: www.jumo.co.uk

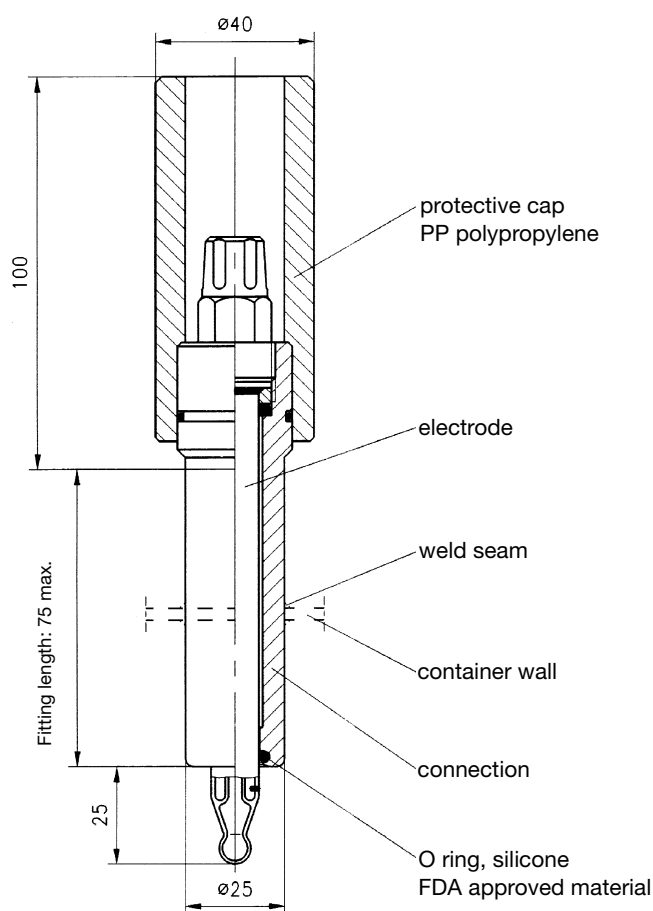
**JUMO Process Control, Inc.**  
 8 Technology Boulevard  
 Canastota, NY 13032, USA  
 Phone: 315-697-JUMO  
 1-800-554-JUMO  
 Fax: 315-697-5867  
 e-mail: info@jumo.us  
 Internet: www.jumo.us



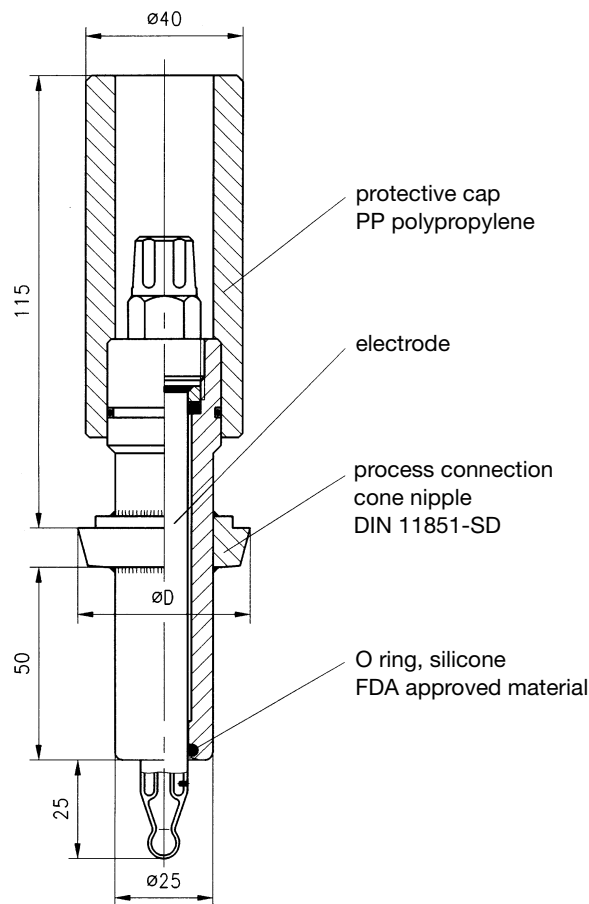
## Technical data

<b>Materials</b>	wetted components in stainless steel 1.4571, electropolished, Ra ≤0.80 (on type 202825/...), Seal: silicone O rings (FDA approved)
<b>Permissible temperature<sup>1</sup></b>	0 to +135°C
<b>Safe pressure<sup>1</sup></b>	up to 10bar
<b>Electrode holder</b>	Pg13.5 gland An impedance converter (2AMZ-20) or a 2-wire transmitter (202701) can be incorporated.
<b>Fitting length</b>	see installation options for the appropriate process connection
<b>Protection</b>	IP65, EN 60529
<b>Weight</b>	depending on the process connection

## Dimensions



Type 202825-000



Type 202825-607-26, Type 202825-604-26  
 Cone nipple: DN50,  $\varnothing D = 68,5$  mm dia.  
 DN25,  $\varnothing D = 44,0$  mm dia.

<sup>1</sup> Please also note the maximum operating data for the sensor used!

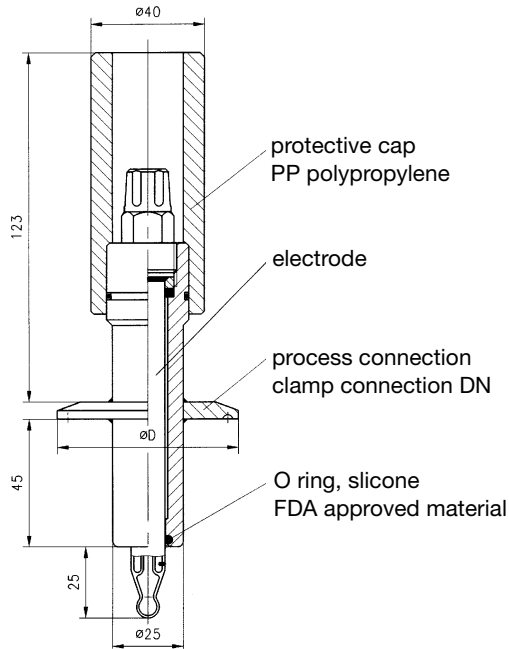
**JUMO GmbH & Co. KG**  
 Delivery address: Mackenrodtstraße 14,  
 36039 Fulda, Germany  
 Postal address: 36035 Fulda, Germany  
 Phone: +49 661 6003-0  
 Fax: +49 661 6003-607  
 e-mail: mail@jumo.net  
 Internet: www.jumo.net

**JUMO Instrument Co. Ltd.**  
 JUMO House  
 Temple Bank, Riverway  
 Harlow, Essex CM 20 2TT, UK  
 Phone: +44 1279 635533  
 Fax: +44 1279 635262  
 e-mail: sales@jumo.co.uk  
 Internet: www.jumo.co.uk

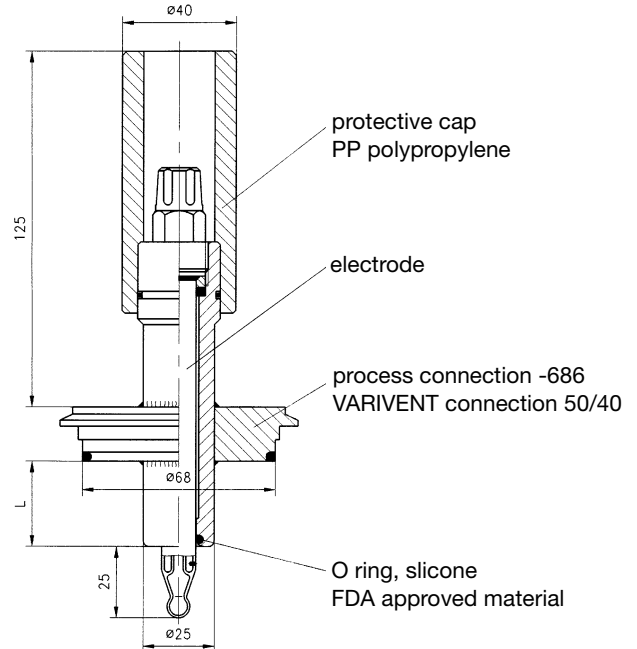
**JUMO Process Control, Inc.**  
 8 Technology Boulevard  
 Canastota, NY 13032, USA  
 Phone: 315-697-JUMO  
 1-800-554-JUMO  
 Fax: 315-697-5867  
 e-mail: info@jumo.us  
 Internet: www.jumo.us



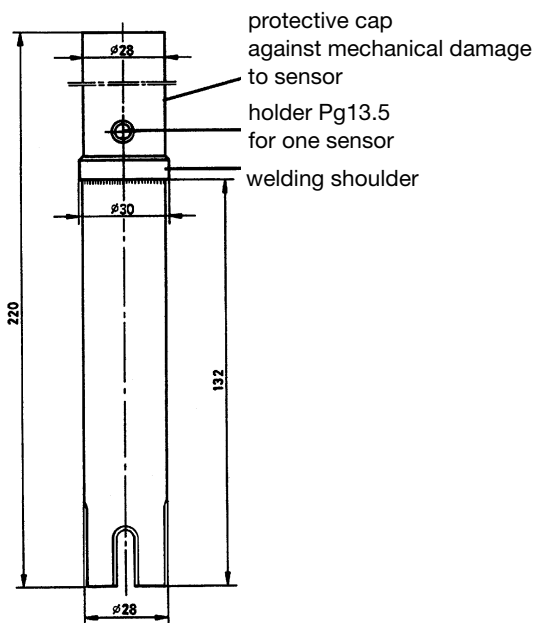
## Dimensions



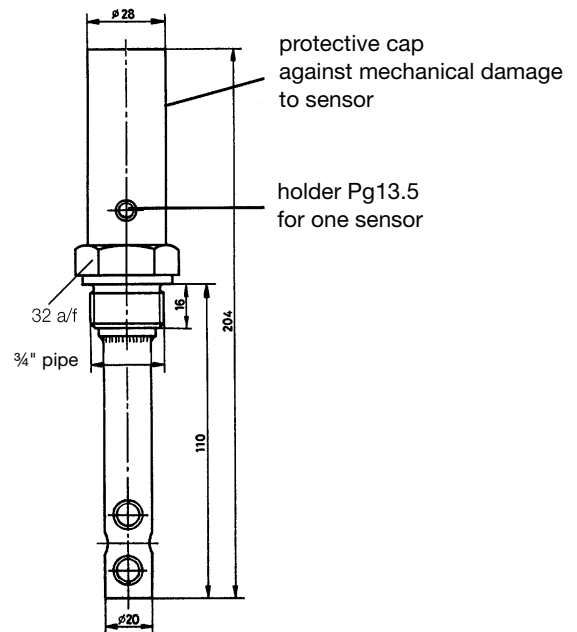
Type 202825-616-26, Type 202825-613-26  
 Clamp connection: DN50,  $\varnothing D = 64.0$  mm dia. L = 45 mm  
 DN25,  $\varnothing D = 50.5$  mm dia. L = 45 mm



Type 202825-686-26  
 VARIVENT connection: DN40, 50L = 5 mm  
 DN65, 80, 100, 125L = 30 mm



Type 202831-000-26

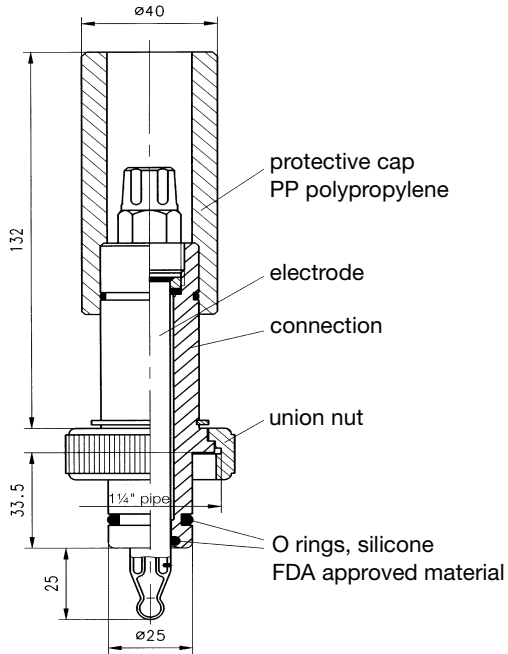


Type 202831-105-26

**JUMO GmbH & Co. KG**  
 Delivery address: Mackenrodtstraße 14,  
 36039 Fulda, Germany  
 Postal address: 36035 Fulda, Germany  
 Phone: +49 661 6003-0  
 Fax: +49 661 6003-607  
 e-mail: mail@jumo.net  
 Internet: www.jumo.net

**JUMO Instrument Co. Ltd.**  
 JUMO House  
 Temple Bank, Riverway  
 Harlow, Essex CM 20 2TT, UK  
 Phone: +44 1279 635533  
 Fax: +44 1279 635262  
 e-mail: sales@jumo.co.uk  
 Internet: www.jumo.co.uk

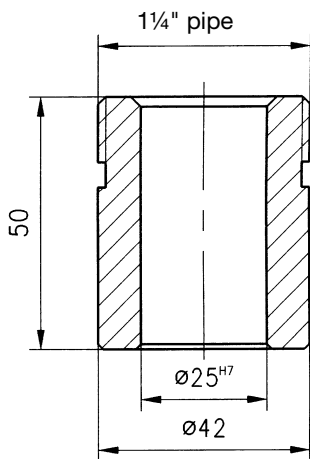
**JUMO Process Control, Inc.**  
 8 Technology Boulevard  
 Canastota, NY 13032, USA  
 Phone: 315-697-JUMO  
 1-800-554-JUMO  
 Fax: 315-697-5867  
 e-mail: info@jumo.us  
 Internet: www.jumo.us



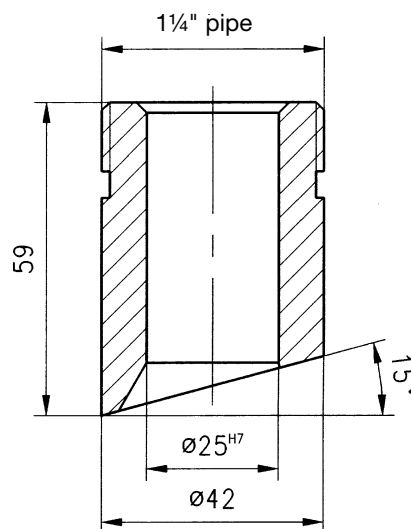
Type 202825-688-26

Ingold connection: 1/4" pipe thread, 33.5mm fitting length (together with nipple 3)

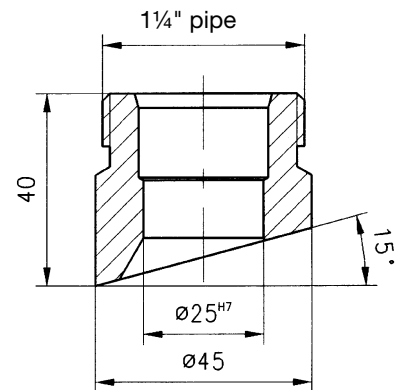
**Available weld-in nipples for connection 688**



Nipple 1



Nipple 2



Nipple 3

**JUMO GmbH & Co. KG**  
 Delivery address: Mackenrodtstraße 14,  
 36039 Fulda, Germany  
 Postal address: 36035 Fulda, Germany  
 Phone: +49 661 6003-0  
 Fax: +49 661 6003-607  
 e-mail: mail@jumo.net  
 Internet: www.jumo.net

**JUMO Instrument Co. Ltd.**  
 JUMO House  
 Temple Bank, Riverway  
 Harlow, Essex CM 20 2TT, UK  
 Phone: +44 1279 635533  
 Fax: +44 1279 635262  
 e-mail: sales@jumo.co.uk  
 Internet: www.jumo.co.uk

**JUMO Process Control, Inc.**  
 8 Technology Boulevard  
 Canastota, NY 13032, USA  
 Phone: 315-697-JUMO  
 1-800-554-JUMO  
 Fax: 315-697-5867  
 e-mail: info@jumo.us  
 Internet: www.jumo.us



**Order details: Process fittings in stainless steel**

		<b>(1) Basic type</b>	
	202825	process fittings, suitable for media with increased hygienic requirements (food, pharmaceutical, chemical applications); silicone seals, FDA approved material	
	202831	process fittings, suitable for use in water management and process engineering	
		<b>(2) Process connection</b>	
x	000	weld seam	
x	105	thread 3/4" pipe male	
x	604	cone nipple DIN 11851-DN25	
x	607	cone nipple DIN 11851-DN50	
x	613	clamp DN25	
x	616	clamp connection DN50	
x	686	VARIVENT DN 40/50	
x	688	1 1/4" pipe thread (Ingold connection)	
		<b>(3) Material</b>	
x	x	24	wetted components in stainless steel 1.4404 (AISI 316L)
x	x	26	wetted components in stainless steel 1.4571

<b>Order code</b>	(1)	/	(2)	-	(3)
<b>Order example</b>	202825	/	607	-	26

**Stock versions** (delivery: 3 working days after receipt of order)

Type	formerly	Sales No.
202831/000-26	2EA-30-VA-1	20/00302472
202831/105-26	2GA-3/4-VA-1	20/00302474

**Production versions** (delivery: 10 working days after receipt of order)

Type	Sales No.
202825/000-26	20/00358137
202825/604-26	20/00358132
202825/607-26	20/00357679
202825/613-26	20/00358134
202825/616-26	20/00358133
202825/686-26	20/00358136
202825/000-26	20/00358137
202825/604-26	20/00358132

**Accessories** (delivery: 3 working days after receipt of order)

Type	Sales No.
KCl reservoir, pressure-resistant to set up an electrolyte bridge or when using KCl-filled electrodes	20/00060254

**Note:**

The type code is a type designation, not a modular system.

If at all possible, please choose the items listed under "Available ex-stock" or "Not available ex-stock" when ordering.

Any free combination of individual code features must be technically checked by us and released.

Please ask us in case of doubt !