

JUMO GmbH & Co. KG
 Delivery address: Mackenrodtstraße 14,
 36039 Fulda, Germany
 Postal address: 36035 Fulda, Germany
 Phone: +49 661 6003-0
 Fax: +49 661 6003-607
 e-mail: mail@jumo.net
 Internet: www.jumo.net

JUMO Instrument Co. Ltd.
 JUMO House
 Temple Bank, Riverway
 Harlow, Essex CM 20 2TT, UK
 Phone: +44 1279 635533
 Fax: +44 1279 635262
 e-mail: sales@jumo.co.uk
 Internet: www.jumo.co.uk

JUMO Process Control, Inc.
 8 Technology Boulevard
 Canastota, NY 13032, USA
 Phone: 315-697-JUMO
 1-800-554-JUMO
 Fax: 315-697-5867
 e-mail: info@jumo.us
 Internet: www.jumo.us



Manual quick-change fittings

Brief description

The quick-change fittings, which can be operated manually, permit sensor mounting and removal under process conditions, which means that the liquid cycle concerned, or the main flow, need not be interrupted.

Quick-change fittings are mainly used for pH measurements in closed cycles, or for measurements in the inflow and outflow of water purification plants. The quick-change fitting can also be installed at the side of the tank, which allows the sensor to be removed without previously emptying the tank.

The fitting enables the mounting of one sensor with a Pg 13.5 thread and a mounting length of 120 or 225 mm.

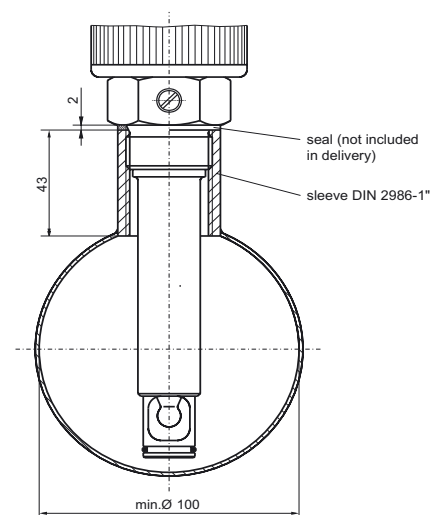
Applications

- measurements in closed liquid cycles, e.g. pH measurement in cooling and water purification plants
- measurements in closed containers and tanks
- final pH check in outflow, if a bypass is not possible
- Type 202822/106-135-.. fitting with screw-in thread G1A, for installing one sensor with a Pg 13.5 thread and a mounting length of 225 mm
- Type 202822/105-62-.. fitting with screw-in thread G3/4A, for installing one sensor with a Pg 13.5 thread and a mounting length of 120 mm
- Type 202822/613-48-26: fitting with clamp connection, for fitting one sensor with a Pg 13.5 thread and a mounting length of 120 mm

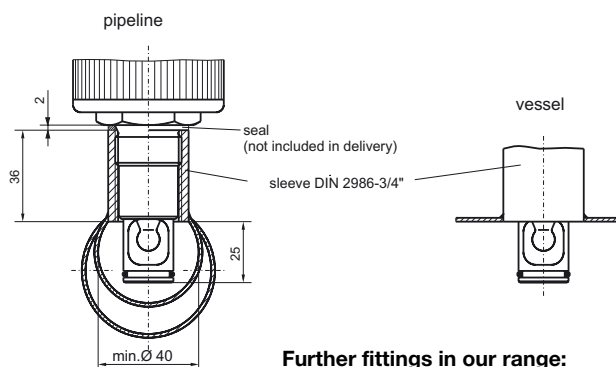


Mounting options

Type 202822/106-135-..



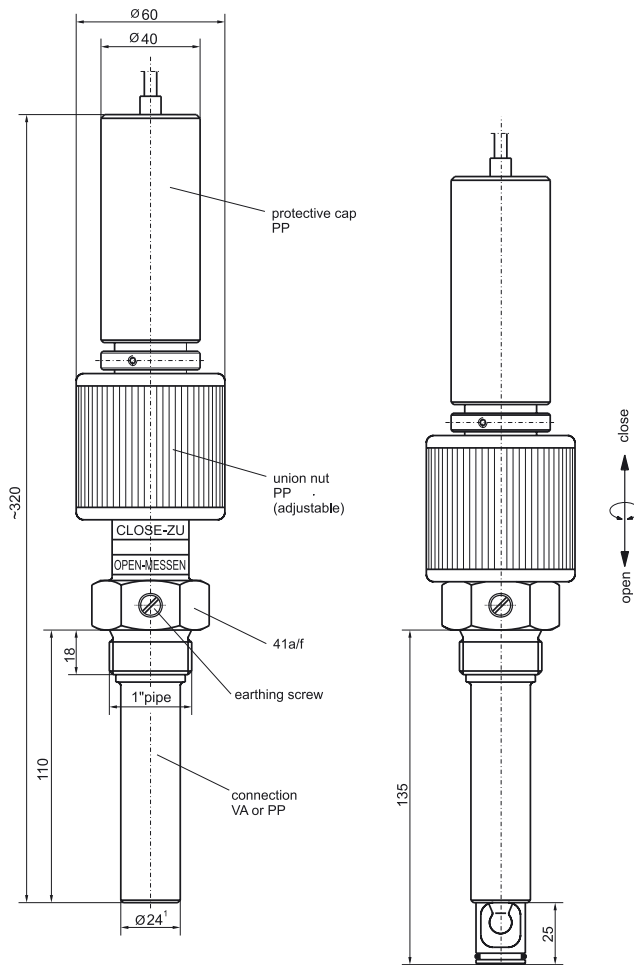
Type 202822/105-062-26



Further fittings in our range:

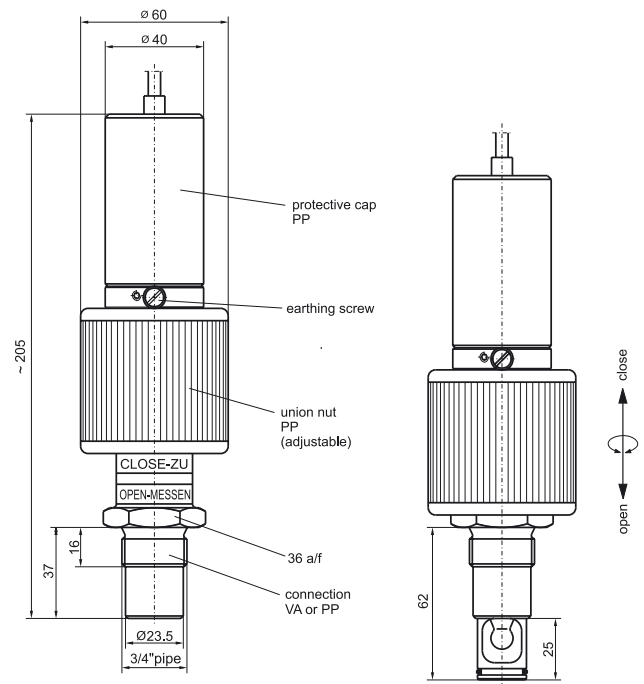
Fittings type:	Data Sheet
Flow-through fittings	T 20.2810
Immersion fittings	T 20.2820
Quick-change fittings	T 20.2822
Process fittings	T 20.2825

Dimensions

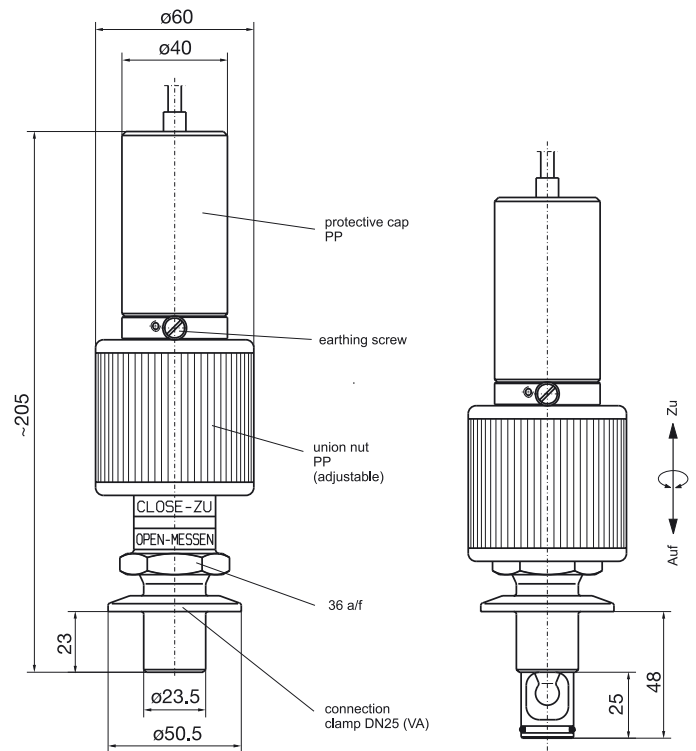


Type 202822/106-135-26, Type 202822/106-135-87

¹ with material PP: 29 mm dia.



Type 202822/105-062-26, Type 202822/105-062-87



Type 202822/613-048-26

¹ Bei Werkstoff PP Ø 29mm

Technical data

Parts in contact with medium	stainless steel 1.4571 and FPM or PP and FPM
Permissible temperature ¹	-30 to +135°C stainless steel -10 to + 60°C PP
Safe pressure at 25°C	up to 10bar for stainless steel up to 6bar for PP
Seal	FPM
Protection	IP65
Mounting position	please observe the mounting instructions for the sensor that is used
Electrode holder	Pg13.5 thread A type 202995 impedance converter or a type 202701 two-wire transmitter can be incorporated.
Weight	Type 202822/105-062-260.8 kg Type 202822/106-135-261.0 kg Type 202822/613-048-261.2 kg

Order details

	(1) Basic version
202822	Manual quick-change fitting
	(2) Process connection
105	screw-in thread G3/4A (3/4" pipe) for electrodes with a mounting length of 120 mm
106	screw-in thread G1A (1" pipe) for electrodes with a mounting length of 225 mm
613	clamp connection DN25 for electrodes with a mounting length of 120 mm
	(3) Mounting length
x 048	048 mm
x 062	062 mm
x 135	135 mm
	(4) Material
x 26	parts in contact with medium: stainless steel 1.4571
x 87	polypropylene (PP)

x = available

Order code	(1)	(2)	(3)	(4)
Order example	202822	/ 105	- 062	- 26

The type code is a type designation, not a modular system.

If at all possible, please choose the items listed under "Stock items" or "Production items".

Any free combination of individual code features must be technically checked by us and released.

Please ask us in case of doubt.

Stock items (delivery: 3 working days after receipt of order)

Sales No.	Type
20/00366915	202822/105-062-26
20/00345780	202822/106-135-26
20/00348649	202822/613-048-26

Production items (delivery: 10 working days after receipt of order)

Sales No.	Type
20/00375339	202822/106-135-87
20/00381650	202822/105-062-87

Optional accessories

Sales No.	Description
20/00060254	KCl reservoir, pressure-tight, wall-mounted. To arrange an electrolyte bridge, or when using KCl-filled electrodes.
20/00315751	Pressure head for KCl-filled pH combination electrodes 2GE-2-D-... series, see Data Sheet 20.2900.

¹ Please also note the maximum operating data for the sensor used!
It is **not** possible to remove the sensor at maximum temperature!