

JUMO GmbH & Co. KG
 Delivery address: Mackenrodtstraße 14,
 36039 Fulda, Germany
 Postal address: 36035 Fulda, Germany
 Phone: +49 661 6003-0
 Fax: +49 661 6003-607
 e-mail: mail@jumo.net
 Internet: www.jumo.net

JUMO Instrument Co. Ltd.
 JUMO House
 Temple Bank, Riverway
 Harlow, Essex CM 20 2TT, UK
 Phone: +44 1279 635533
 Fax: +44 1279 635262
 e-mail: sales@jumo.co.uk
 Internet: www.jumo.co.uk

JUMO Process Control, Inc.
 8 Technology Boulevard
 Canastota, NY 13032, USA
 Phone: 315-697-JUMO
 1-800-554-JUMO
 Fax: 315-697-5867
 e-mail: info@jumo.us
 Internet: www.jumo.us



JUMO CTI-500

Inductive Conductivity/Concentration and Temperature Transmitter with switch contacts

Type 202755

Brief description

The instrument is used for the measurement/control of conductivity or concentration in liquid media. It is particularly suitable for application in media where severe deposits of dirt, oil, grease or gypsum/lime precipitates are to be expected. The integrated temperature measurement enables fast and accurate temperature compensation, which is of special importance when measuring conductivity. Additional functions permit the combined changeover of measuring range and temperature coefficient.

Two built-in switching outputs can be freely programmed to monitor conductivity/concentration and/or temperature limits. It is also possible to assign alarm and control functions (dilution).

The instrument is operated either from the membrane keypad and plain-text graphics display (operator language can be changed over) or through the user-friendly PC setup program. The display can be read off by simply rotating the housing cover. This applies to the installation both in horizontally and vertically arranged pipes. By using the setup program, the instrument configuration data can be saved for plant documentation and printed out. To prevent any tampering, the instrument can also be supplied without keypad or display. In this case, the setup program is needed for programming.

The JUMO CTI-500 is available either as a combined unit (transmitter and measuring cell together in one unit) or as a split version (transmitter and cell connected by cable). The split version is particularly suitable for plant subjected to strong vibration and/or significant heat radiation at the measurement point, or for installation on sites that are difficult to access. Immersion models up to 2000 mm are available for application in open containers or sluices.

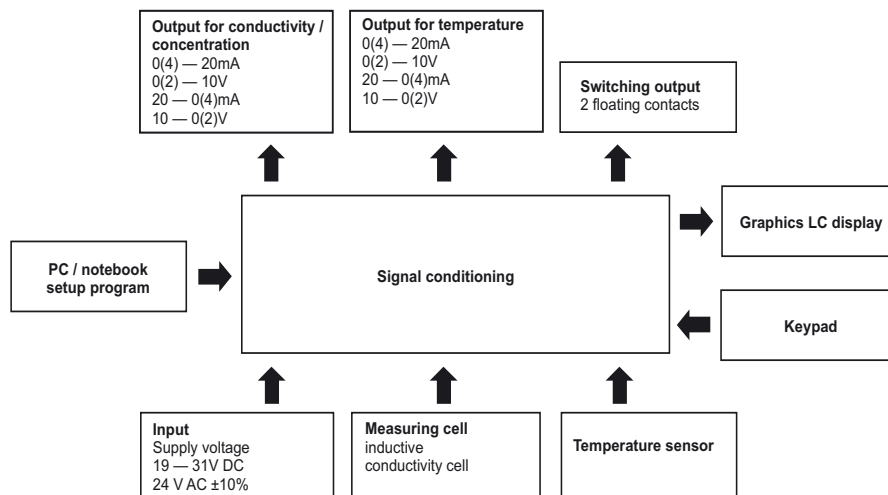
Typical areas of application: Freshwater and wastewater engineering, air conditioning systems and cooling tower monitoring (dilution control), rinsing baths (e.g. monitoring electroplating baths), inlet and final checks in factory water treatment plant, concentration monitoring, vehicle wash plant, etc.



Key features

- Activation of up to four ranges
- Activation of up to four temperature coefficients
- Concentration measurement of
 - caustic soda NaOH
 - nitric acid HNO₃
 - a freely definable curve (through the setup program)
- Fast-response temperature sensor
- Temperature compensation
 - linear
 - natural water
 - individual characteristic (learning function)
- Operation
 - via keypad and LC display
 - through setup program
- Operator languages: English, French, German, Italian, Dutch, Spanish, Polish, Portuguese, Russian, Swedish
- By using the setup program:
 - user-friendly programming
 - plant documentation
- Learning function for the temperature coefficient
- Individual characteristic for concentration indication
- Dilution control

Block structure



Functional description

The inductive measurement method permits largely maintenance-free acquisition of the specific conductivity, even in the toughest media conditions. As opposed to the conductive measurement method, problems such as electrode decomposition and polarization do not occur.

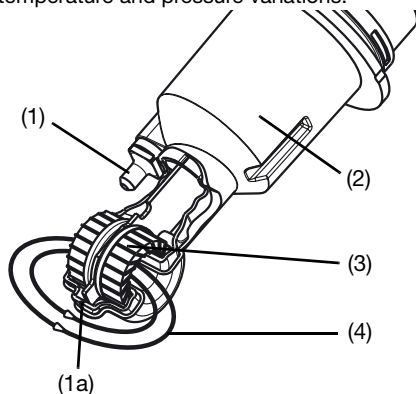
The conductivity is measured using an inductive probe. A sinusoidal a.c. voltage feeds the transmitting coil. Depending on the conductivity of the liquid to be measured, a current is induced in the receiver coil. The current is proportional to the conductivity of the medium.

Instrument description

Measuring cell

The measuring cell consists of a hermetically sealed polypropylene (PP) or polyvinylidene fluoride (PVDF) body inside which the two measurement coils are arranged. A bore in the measuring cell enables the medium to flow through. The measurement principle entails an inevitable electrical isolation between the sample medium and the signal output.

The measuring cell is largely unaffected by temperature and pressure variations.



- (1) Temperature sensor, exposed
- (1a) optionally: internal
- (2) Cell body in PP
- (3) Measurement coils
- (4) Liquid loop

Exposed temperature sensor

The sensor (in a stainless steel sleeve) exhibits a very fast response to temperature variations. This is especially important for CIP processes (phase separation).

Internal temperature sensor

The sensor is integrated in the PP body. This construction ensures that no metal parts come into contact with the sample medium (important with corrosive media). However, temperature acquisition is somewhat slower here.

Temperature compensation

Since conductivity largely depends on the temperature of the medium, it is usually necessary to compensate for the temperature effect.

The instrument allows both linear and non-linear temperature compensation.

If required, temperature compensation can be switched off, for example, when the temperature conditions on the measurement site are stable or when temperature compensation is carried out in the software, in external evaluation devices (PLC or similar).

Process connections

To cover a wide variety of applications, the instrument can be supplied with different process connections (also as an immersion model), see dimensions.

Installation at the measurement point

The operating position is generally unrestricted. However, it is essential to ensure that there is a continuous exchange of the sample liquid in the flow channel.

Transmitter

The CTI-500 transmitter has been designed for use on site. A rugged housing protects the electronics and the electrical connections from corrosive environmental conditions (IP67).

A vent screw with a PTFE membrane prevents condensation.

Operation

The JUMO CTI-500 can be operated either from the instrument keys and the graphics LC display and/or through the setup program from a PC or laptop.

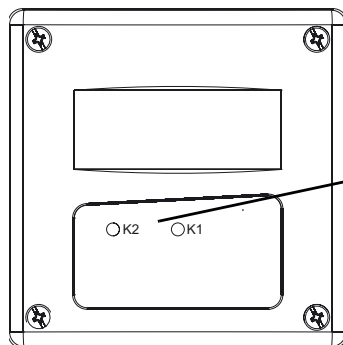
The instrument can be secured against unauthorized alteration by a password.

Functions of the outputs

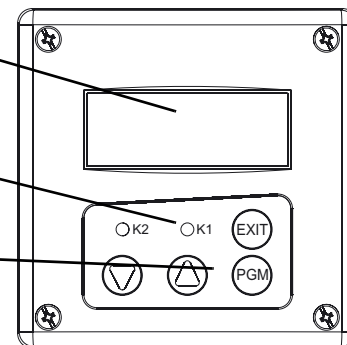
Analog outputs

- One analog signal output for conductivity/concentration and temperature respectively.
- The analog output signals are freely scalable (range start and end values).
- The response of the analog outputs to over/underrange or alarm can be programmed.
- Simulation of the signal output:
The analog signal outputs can be freely set in the manual mode.
Application: "Dry-run" start-up of the plant, trouble-shooting, servicing.

Displays and controls



Version without a display
 Operation/configuration through the setup program only

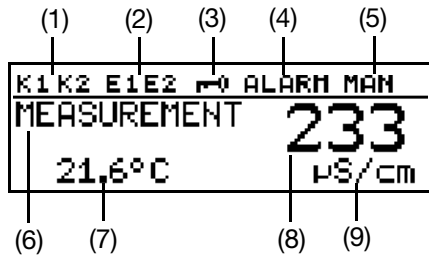


Version with a display
 Operation/configuration from the keys or through the setup program

- (1) Graphics LC display
- (2) LEDs for the switching status indication of the outputs K1 and K2
- (3) Keys



Graphics LC display



- (1) Switching output 1 or 2 is active
- (2) Binary input 1 or 2 is operated
- (3) Keypad is inhibited
- (4) Alarm has been activated
- (5) Instrument is in manual mode
- (6) Instrument status
- (7) Temperature of medium
- (8) Conductivity measurement
- (9) Unit of conductivity measurement

Switching outputs

The instrument features two floating switching outputs (solid-state relays) as standard.

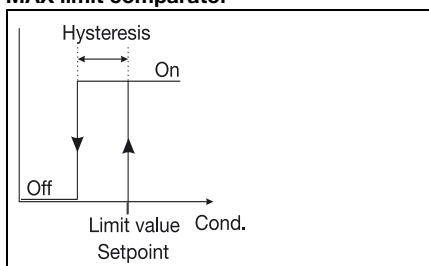
These can be used freely for monitoring the conductivity/concentration or the temperature.

The following functions can be assigned:

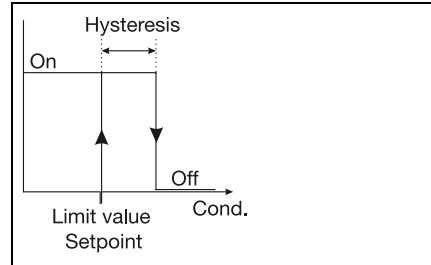
- Limit monitoring (MAX. or MIN. limit comparator) with programmable hysteresis
- Pulse function (the output switches briefly on reaching the switching point, then opens again).
- Pull-in and drop-out delay
- Inverted switching outputs
- Response to overrange/underrange or with activated measuring circuit monitoring (pull-in/drop-out).
- "Calibration timer run down" signal.

Contact functions

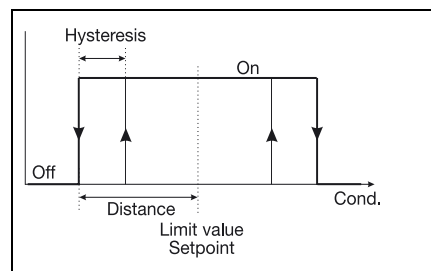
MAX limit comparator



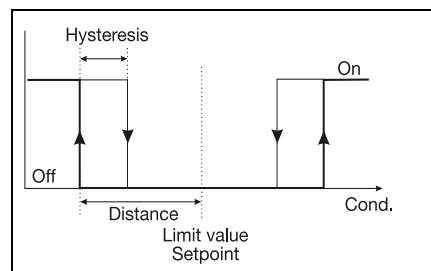
MIN limit comparator



Alarm window 1

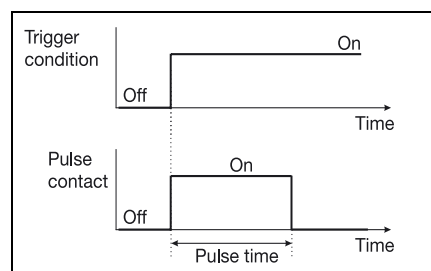


Alarm window 2



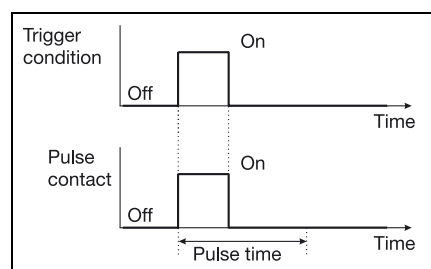
Pulse contact

Trigger conditions longer than pulse time



Pulse contact

Trigger conditions shorter than pulse time



Binary inputs

The two binary inputs serve to implement the following functions:

- Key inhibit
- HOLD mode
- 4-fold range changeover
- 4-fold temperature coefficient changeover
- Initiation of dilution function and biocide dosing

Special functions

■ The learning function for the temperature coefficient enables exact measurement of media with a non-linear characteristic. During a temperature change, the instrument "learns" the temperature coefficient of the present medium and stores the profile. The stored values then enable the correct indication of the temperature-compensated conductivity.

■ Individual characteristic for concentration indication.

An individual characteristic with 20 interpolation points can be entered through the setup program. This function can be used to generate special characteristics for specific media (e.g. special detergents). This results in correct measurements that contribute to assuring the quality and saving costs.

■ Dilution control
 Various processes that find their application in wet cooling towers are stored as sequence control (biocide dosing and subsequent inhibiting of dilution). Additional information can be found in the operating manual.

■ Calibration timer
 The calibration timer draws your attention to a calibration schedule. This function is activated by entering a number of days, after which recalibration has to be carried out (plant or operator requirement).

JUMO GmbH & Co. KG
 Delivery address: Mackenrodtstraße 14,
 36039 Fulda, Germany
 Postal address: 36035 Fulda, Germany
 Phone: +49 661 6003-0
 Fax: +49 661 6003-607
 e-mail: mail@jumo.net
 Internet: www.jumo.net

JUMO Instrument Co. Ltd.
 JUMO House
 Temple Bank, Riverway
 Harlow, Essex CM 20 2TT, UK
 Phone: +44 1279 635533
 Fax: +44 1279 635262
 e-mail: sales@jumo.co.uk
 Internet: www.jumo.co.uk

JUMO Process Control, Inc.
 8 Technology Boulevard
 Canastota, NY 13032, USA
 Phone: 315-697-JUMO
 1-800-554-JUMO
 Fax: 315-697-5867
 e-mail: info@jumo.us
 Internet: www.jumo.us



Function of the binary inputs

Setting parameters	Binary input 1	Binary input 2
Measuring range/ temperature coefficient changeover	Range1/TC1	open
	Range2/TC2	closed
	Range3/TC3	open
	Range4/TC4	closed
Key inhibit	closed	X
"Hold" function	X	closed
Start dilution function	close (edge 0 - 1)	open
Stop dilution function	open	close (edge 0 - 1)

Technical data

General

A/D converter

resolution: 15 bit
 sampling time: 500msec = 2 meas. per sec

Supply

For operation with SELV and PELV circuits.

As standard:

19 – 31 V DC (24 V DC nominal),
 the instrument incorporates reverse-polarity
 protection

ripple: < 5%

extra code 844:

24 V AC ±10%, 50 – 60 Hz

power consumption

with display: ≤ 3 W

power consumption

without display: ≤ 2.6 W

Rating of the solid-state relays

U < 50 V AC/DC

I ≤ 200 mA

Electrical connection

plug-in screw terminals 2.5 mm² or
 M12 plug/socket connectors

Display (option)

graphics LCD with background lighting;
 contrast is adjustable
 dimensions: 62 x 23 mm

Permissible ambient temp. (transmitter)

-5 to +50°C

max. 93% rel. humidity, no condensation

Permissible storage temp. (transmitter)

-10 to +75°C

max. 93% rel. humidity, no condensation

Enclosure protection (transmitter)

IP67

Housing

polyamide (PA)

Weight

depending on version and process
 connection
 approx. 0.3 – 2 kg

Conductivity/concentration transmitter

Concentration measurement

(implemented in the instrument software)

– NaOH (caustic soda)
 0 – 15 % by weight or 25 – 50 % by
 weight

– HNO₃ (nitric acid)
 0 – 25 % by weight or 36 – 82 % by
 weight

– customer-specific concentration curve,
 reely programmable through the setup
 program (see "special functions")

Calibration timer

adjustable: 0 – 999 days (0 = off)

Output signal for conductivity/ concentration

0 – 10 V / 10 – 0 V

2 – 10 V / 10 – 2 V

0 – 20 mA / 20 – 0 mA

4 – 20 mA / 20 – 0.4 mA

The output signal is freely scalable.

Burden

≤ 500Ω for current output

≥ 2kΩ for voltage output

Analog output with "Alarm"

Low (0 mA / 0 V / 3.4 mA / 1.4 V)

or

High (22.0 mA / 10.7 V)

or

a fixed setting

Measuring ranges

Four ranges can be selected. One of these
 ranges can be activated via an external switch

or a PLC.

Meas. ranges Transmitter	Tolerance (in % of range span)
0 – 500 μS/cm	≤ 0.5%
0 – 1000 μS/cm	
0 – 2000 μS/cm	
0 – 5000 μS/cm	
0 – 10 mS/cm	
0 – 20 mS/cm	
0 – 50 mS/cm	
0 – 100 mS/cm	
0 – 200 mS/cm	
0 – 500 mS/cm	
0 – 1000 mS/cm	
0 – 2000 mS/cm ¹	

¹ not compensated for temperature

Note:

The overall tolerance is made up of the
 tolerance of the transmitter + the tolerance of
 the sensor.

Temperature transmitter

Temperature acquisition

manually -20.0 to 25.0 to 150°C/°F
 or automatically

Temperature measuring range

-20.0 to 150°C/°F

Characteristic

linear

Accuracy

≤ 0.5% of measuring range

Ambient temperature error

≤ 0.1%/°C

Response time

with exposed temperature sensor

t₀₉ ≤ 6 sec

with internal temperature sensor

t₀₉ ≤ 2 min

Output signal for temperature

0 – 10 V / 10 – 0 V

2 – 10 V / 10 – 2 V

0 – 20 mA / 20 – 0 mA

4 – 20 mA / 20 – 0.4 mA

The output signal is freely scalable within
 the range -20 to +200°C.

The sensor can be applied within the range
 -10 to +100°C.

Burden

≤ 500Ω for current output

≥ 2kΩ for voltage output

JUMO GmbH & Co. KG
 Delivery address: Mackenrodtstraße 14,
 36039 Fulda, Germany
 Postal address: 36035 Fulda, Germany
 Phone: +49 661 6003-0
 Fax: +49 661 6003-607
 e-mail: mail@jumo.net
 Internet: www.jumo.net

JUMO Instrument Co. Ltd.
 JUMO House
 Temple Bank, Riverway
 Harlow, Essex CM 20 2TT, UK
 Phone: +44 1279 635533
 Fax: +44 1279 635262
 e-mail: sales@jumo.co.uk
 Internet: www.jumo.co.uk

JUMO Process Control, Inc.
 8 Technology Boulevard
 Canastota, NY 13032, USA
 Phone: 315-697-JUMO
 1-800-554-JUMO
 Fax: 315-697-5867
 e-mail: info@jumo.us
 Internet: www.jumo.us



Analog output for "Alarm"

Low (0 mA / 0 V / 3.4 mA / 1.4 V)
 or
 High (22.0 mA / 10.7 V)
 or
 a fixed setting

Temperature compensation

Reference temperature

15 to 30°C, adjustable

Temperature coefficient

0.0 to 5.5 %/°C, adjustable

Compensation range

-20 to 150°C

Function

- linear
- natural water (EN 27 888)
- non-linear (learning function, see special functions)

Sensor

Material

PP (polypropylene), suitable for foodstuffs

Note:

Temperature, pressure and sample medium affect the life of the cell!

Temperature of the sample medium

-10 to +100°C max.

Pressure

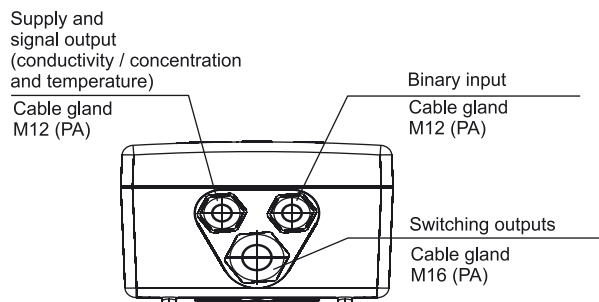
10 bar max. at 20°C
 6 bar max. at 60°C

Measuring range Sensor	Tolerance (in % of range span)
0 – 500 µS/cm	≤1%
0 – 1000 µS/cm	
0 – 2000 µS/cm	≤0.5%
0 – 5000 µS/cm	
0 – 10 mS/cm	
0 – 20 mS/cm	
0 – 50 mS/cm	
0 – 100 mS/cm	
0 – 200 mS/cm	
0 – 500 mS/cm	≤1%
0 – 1000 mS/cm	
0 – 2000 mS/cm ¹	

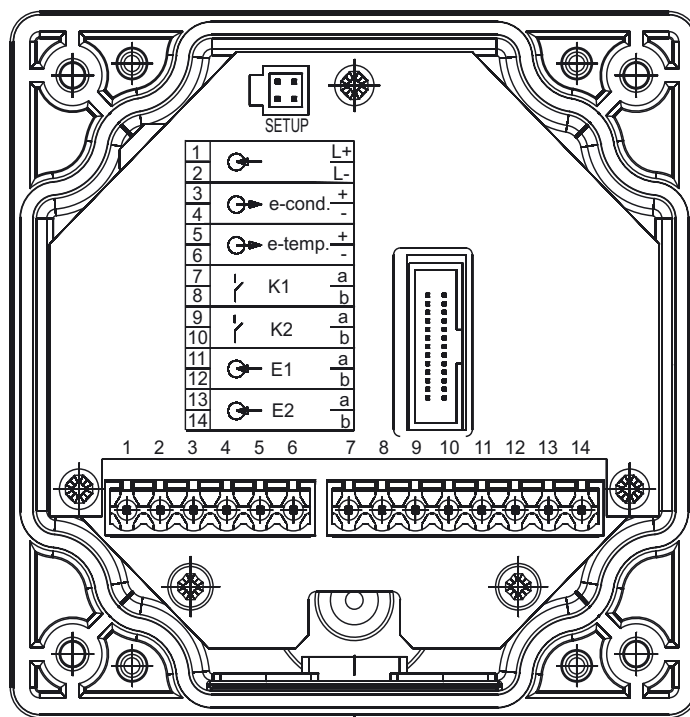
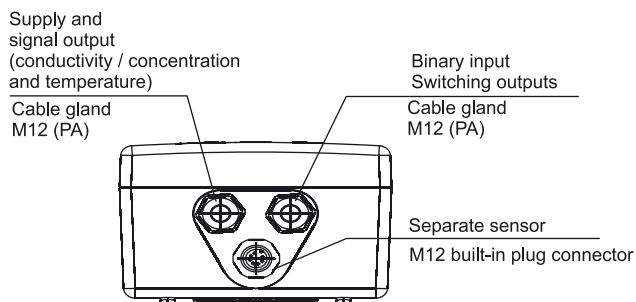
¹ not compensated for temperature

Electrical connection - head transmitter (transmitter with cable glands (-82))

Wiring recommendation - head transmitter



Wiring recommendation - with separate sensor



JUMO GmbH & Co. KG
 Delivery address: Mackenrodtstraße 14,
 36039 Fulda, Germany
 Postal address: 36035 Fulda, Germany
 Phone: +49 661 6003-0
 Fax: +49 661 6003-607
 e-mail: mail@jumo.net
 Internet: www.jumo.net

JUMO Instrument Co. Ltd.
 JUMO House
 Temple Bank, Riverway
 Harlow, Essex CM 20 2TT, UK
 Phone: +44 1279 635533
 Fax: +44 1279 635262
 e-mail: sales@jumo.co.uk
 Internet: www.jumo.co.uk

JUMO Process Control, Inc.
 8 Technology Boulevard
 Canastota, NY 13032, USA
 Phone: 315-697-JUMO
 1-800-554-JUMO
 Fax: 315-697-5867
 e-mail: info@jumo.us
 Internet: www.jumo.us



Supply	Terminal assignment	Symbol
Supply (with reverse-polarity protection)	1 L + 2 L -	

Outputs	Terminal assignment	Symbol
Analog signal output: conductivity/ concentration (electrically isolated)	3 + 4 -	
Analog signal output: temperature (electrically isolated)	5 + 6 -	
Switching output K1 (floating)	7 8	
Switching output K2 (floating)	9 10	

Binary inputs	Terminal assignment	Symbol
Binary input E1	11 12	
Binary input E2	13 14	

JUMO GmbH & Co. KG
 Delivery address: Mackenrodtstraße 14,
 36039 Fulda, Germany
 Postal address: 36035 Fulda, Germany
 Phone: +49 661 6003-0
 Fax: +49 661 6003-607
 e-mail: mail@jumo.net
 Internet: www.jumo.net

JUMO Instrument Co. Ltd.
 JUMO House
 Temple Bank, Riverway
 Harlow, Essex CM 20 2TT, UK
 Phone: +44 1279 635533
 Fax: +44 1279 635262
 e-mail: sales@jumo.co.uk
 Internet: www.jumo.co.uk

JUMO Process Control, Inc.
 8 Technology Boulevard
 Canastota, NY 13032, USA
 Phone: 315-697-JUMO
 1-800-554-JUMO
 Fax: 315-697-5867
 e-mail: info@jumo.us
 Internet: www.jumo.us



Electrical connection (transmitter with M12 connectors (-83))

Head transmitter

Connector I

Supply and signal output for conductivity / concentration

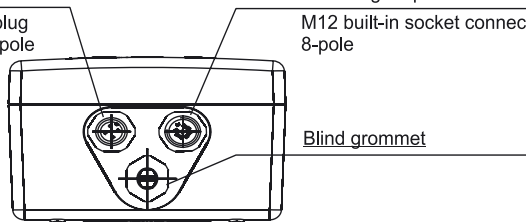
M12 built-in plug connector, 5-pole

Connector II

Signal output for temperature and binary input
Switching outputs

M12 built-in socket connector 8-pole

Blind grommet



Transmitter with separate sensor

Connector I

Supply and signal output for conductivity / concentration

M12 built-in plug connector, 5-pole

Connector II

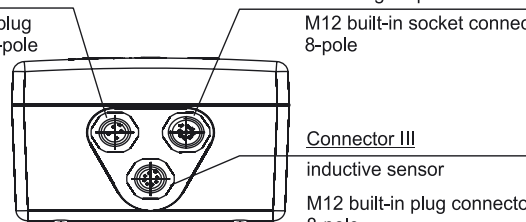
Signal output for temperature and binary input
Switching outputs

M12 built-in socket connector 8-pole

Connector III

inductive sensor

M12 built-in plug connector 8-pole



Supply	Connector	Assignment	Symbol
Supply (with reverse-polarity protection)	I	L + L -	

Outputs	Connector	Assignment	Symbol
Analog signal output: conductivity / concentration (electrically isolated)	I		
Analog signal output: temperature (electrically isolated)	II		
Switching output K1 (floating)	II		
Switching output K2 (floating)	II		

Binary inputs	Connector	Assignment	Symbol
Binary input E1	I II		
Binary input E2	I II		

JUMO GmbH & Co. KG
 Delivery address: Mackenrodtstraße 14,
 36039 Fulda, Germany
 Postal address: 36035 Fulda, Germany
 Phone: +49 661 6003-0
 Fax: +49 661 6003-607
 e-mail: mail@jumo.net
 Internet: www.jumo.net

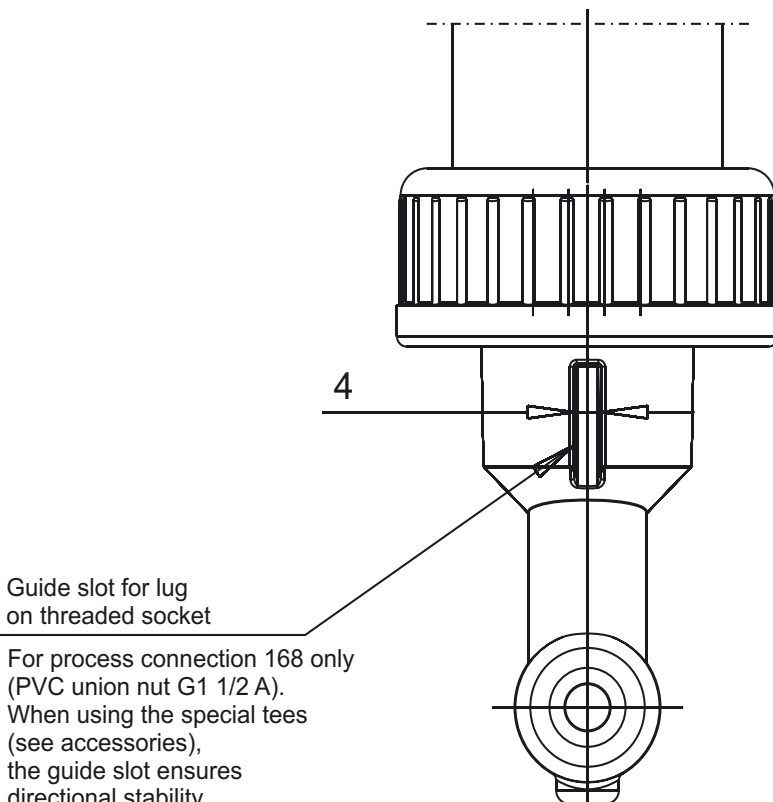
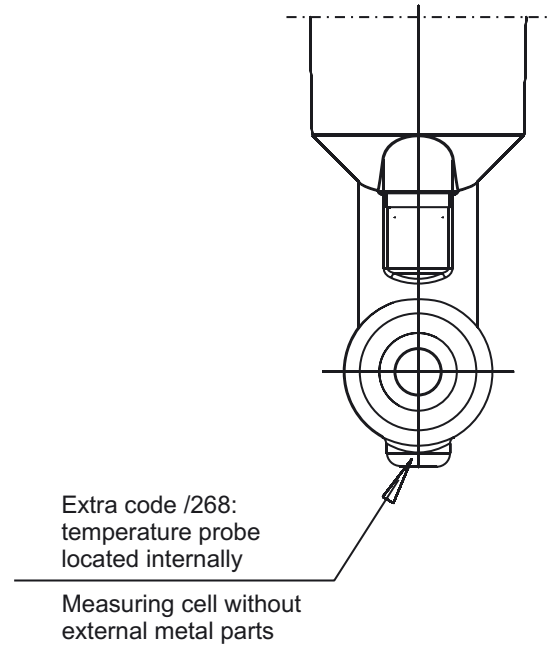
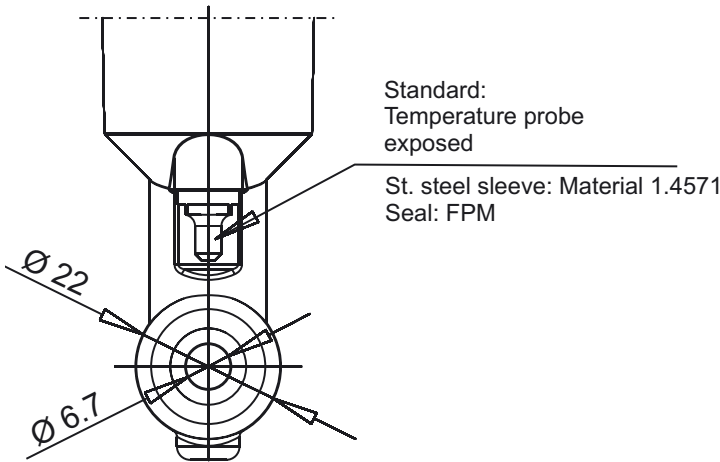
JUMO Instrument Co. Ltd.
 JUMO House
 Temple Bank, Riverway
 Harlow, Essex CM 20 2TT, UK
 Phone: +44 1279 635533
 Fax: +44 1279 635262
 e-mail: sales@jumo.co.uk
 Internet: www.jumo.co.uk

JUMO Process Control, Inc.
 8 Technology Boulevard
 Canastota, NY 13032, USA
 Phone: 315-697-JUMO
 1-800-554-JUMO
 Fax: 315-697-5867
 e-mail: info@jumo.us
 Internet: www.jumo.us



Dimensions

Sensor (detail)



For process connection 168 only
 (PVC union nut G1 1/2 A).
 When using the special tees
 (see accessories),
 the guide slot ensures
 directional stability.
 The cell can only be installed
 in the correct orientation.

JUMO GmbH & Co. KG
 Delivery address: Mackenrodtstraße 14,
 36039 Fulda, Germany
 Postal address: 36035 Fulda, Germany
 Phone: +49 661 6003-0
 Fax: +49 661 6003-607
 e-mail: mail@jumo.net
 Internet: www.jumo.net

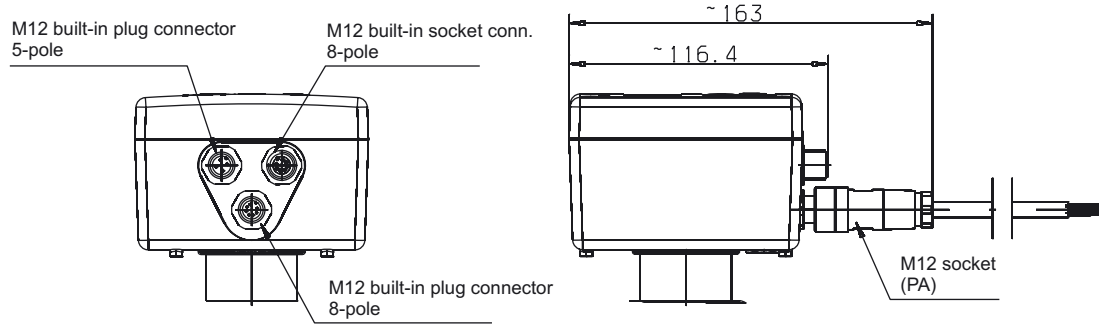
JUMO Instrument Co. Ltd.
 JUMO House
 Temple Bank, Riverway
 Harlow, Essex CM 20 2TT, UK
 Phone: +44 1279 635533
 Fax: +44 1279 635262
 e-mail: sales@jumo.co.uk
 Internet: www.jumo.co.uk

JUMO Process Control, Inc.
 8 Technology Boulevard
 Canastota, NY 13032, USA
 Phone: 315-697-JUMO
 1-800-554-JUMO
 Fax: 315-697-5867
 e-mail: info@jumo.us
 Internet: www.jumo.us



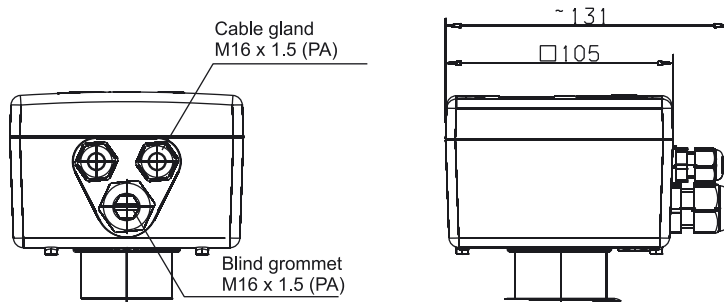
Dimensions

Transmitter with M12 plug connectors and M12 socket connectors



Transmitter with M16 cable gland

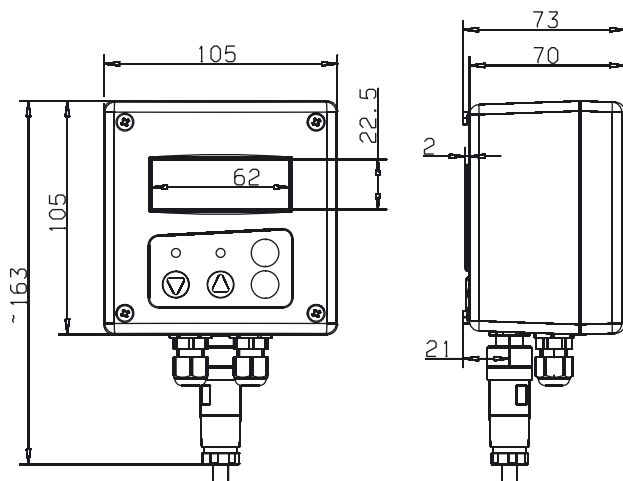
(only for the "head transmitter" model)



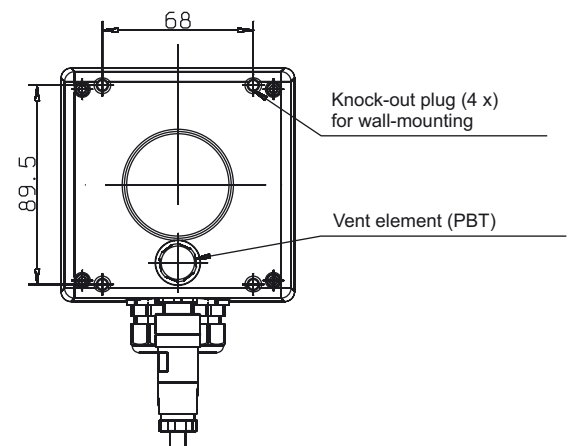
Version:

Transmitter with separate sensor (split version)

(basic type extensions /20, /25, /60 or /65)



Drilling diagram



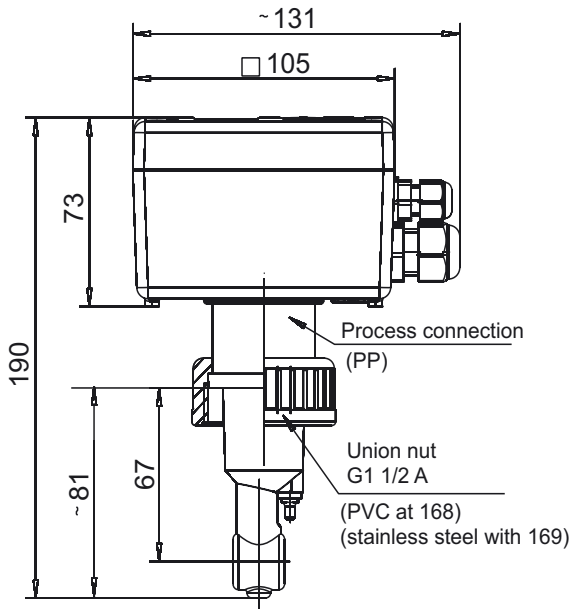
JUMO GmbH & Co. KG
 Delivery address: Mackenrodtstraße 14,
 36039 Fulda, Germany
 Postal address: 36035 Fulda, Germany
 Phone: +49 661 6003-0
 Fax: +49 661 6003-607
 e-mail: mail@jumo.net
 Internet: www.jumo.net

JUMO Instrument Co. Ltd.
 JUMO House
 Temple Bank, Riverway
 Harlow, Essex CM 20 2TT, UK
 Phone: +44 1279 635533
 Fax: +44 1279 635262
 e-mail: sales@jumo.co.uk
 Internet: www.jumo.co.uk

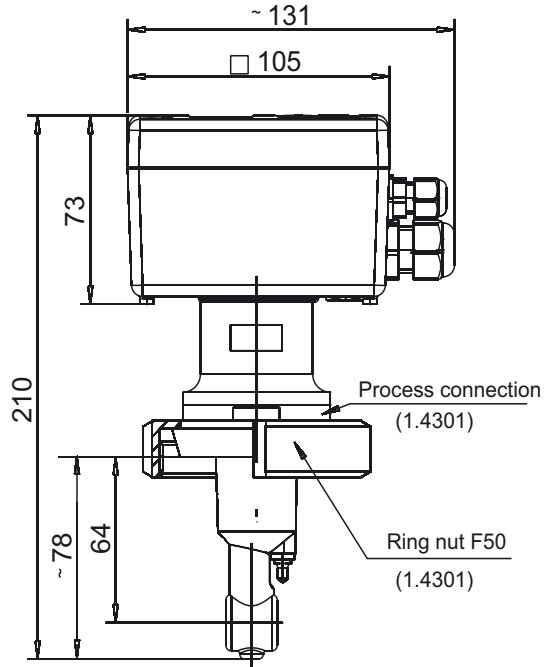
JUMO Process Control, Inc.
 8 Technology Boulevard
 Canastota, NY 13032, USA
 Phone: 315-697-JUMO
 1-800-554-JUMO
 Fax: 315-697-5867
 e-mail: info@jumo.us
 Internet: www.jumo.us



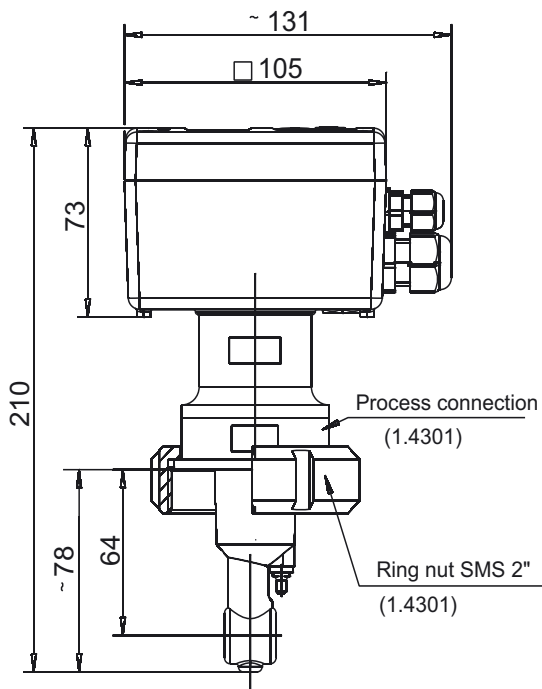
Dimensions / Process connections (head transmitter)



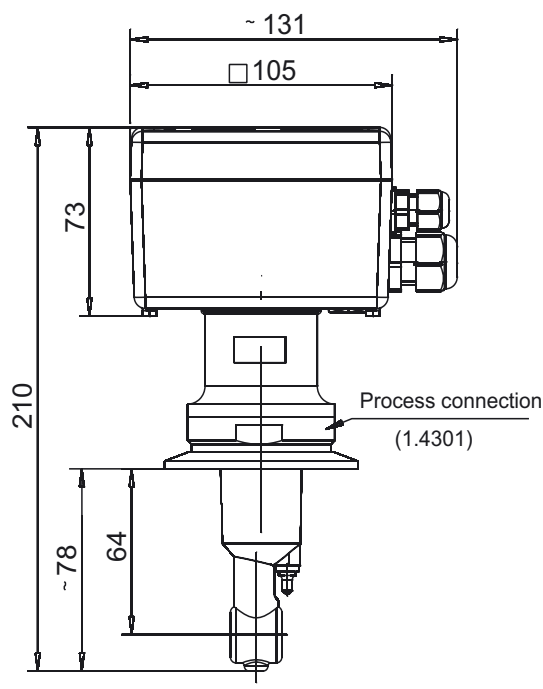
Version with process connection 168
 DN32 and DN40



Version with process connection 607
 MK DN40



Version with process connection 690
 SMS 2"



Version with process connection 617
 Clamp 2 1/2"
 (retaining clip is not included in delivery)

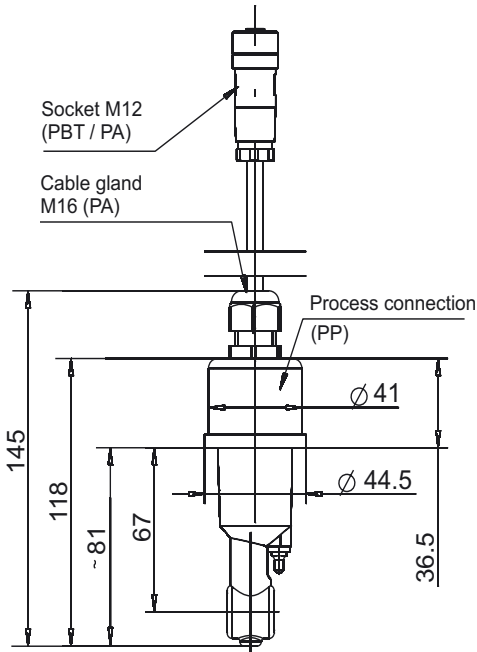
JUMO GmbH & Co. KG
 Delivery address: Mackenrodtstraße 14,
 36039 Fulda, Germany
 Postal address: 36035 Fulda, Germany
 Phone: +49 661 6003-0
 Fax: +49 661 6003-607
 e-mail: mail@jumo.net
 Internet: www.jumo.net

JUMO Instrument Co. Ltd.
 JUMO House
 Temple Bank, Riverway
 Harlow, Essex CM 20 2TT, UK
 Phone: +44 1279 635533
 Fax: +44 1279 635262
 e-mail: sales@jumo.co.uk
 Internet: www.jumo.co.uk

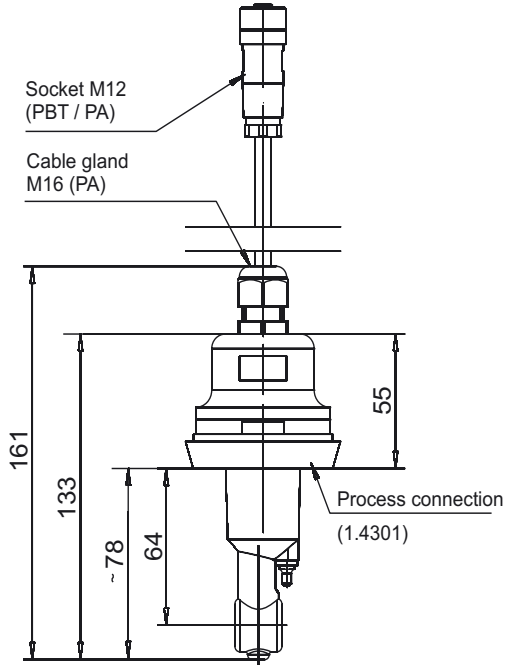
JUMO Process Control, Inc.
 8 Technology Boulevard
 Canastota, NY 13032, USA
 Phone: 315-697-JUMO
 1-800-554-JUMO
 Fax: 315-697-5867
 e-mail: info@jumo.us
 Internet: www.jumo.us



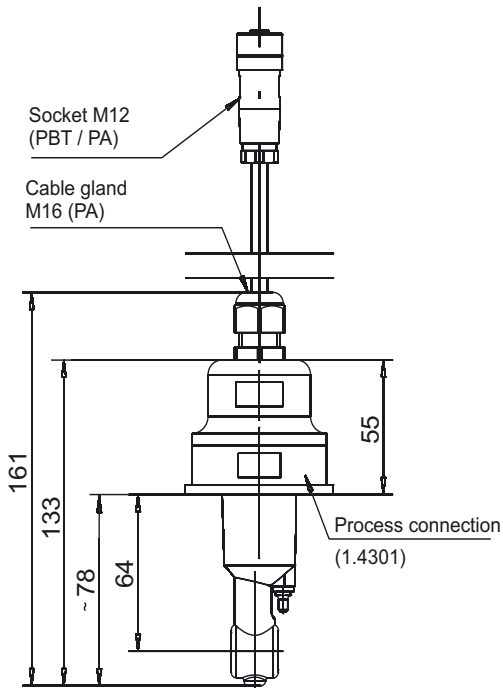
Dimensions / Process connections (separate sensor)



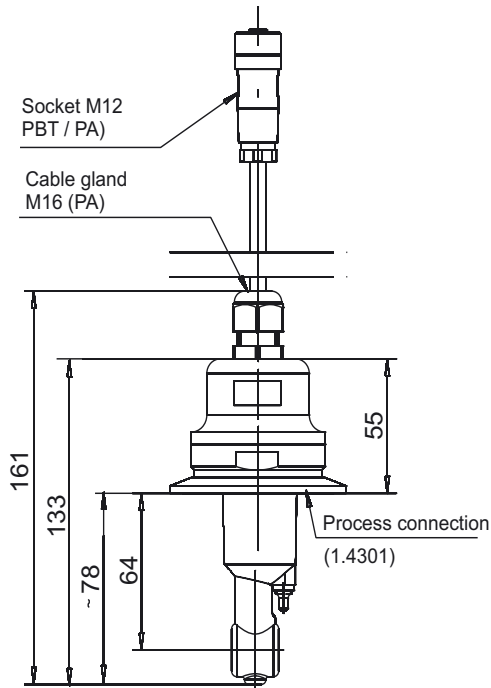
Split version
 for process connection 168
 DN32 and DN40
 (union nut not included
 in delivery)



Split version
 for process connection 607
 MK DN50
 (union nut not included
 in delivery)



Split version
 for process connection 690
 SMS 2"
 (union nut not included
 in delivery)



Split version
 for process connection 617
 Clamp 2 1/2"
 (retaining clip not included
 in delivery)

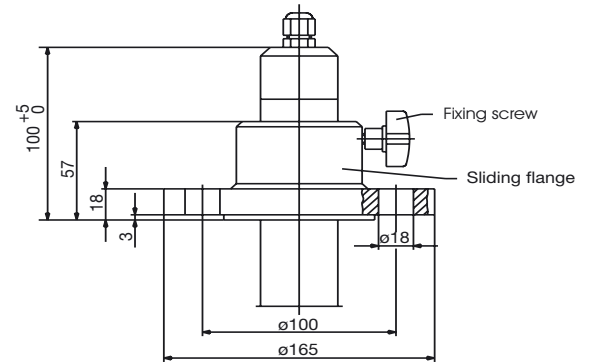
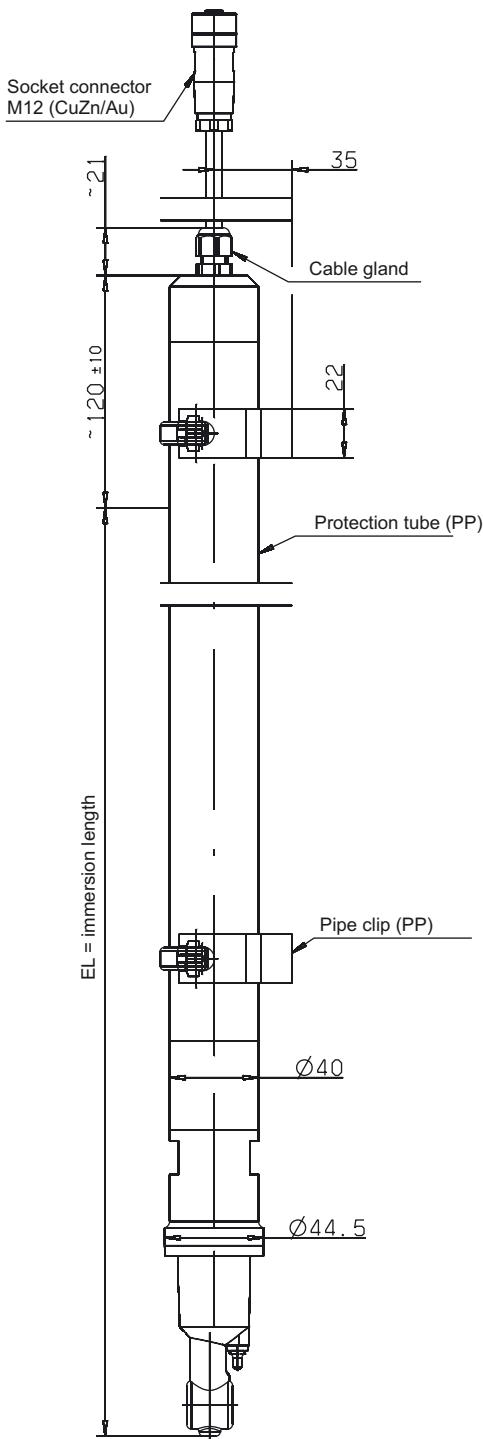
JUMO GmbH & Co. KG
 Delivery address: Mackenrodtstraße 14,
 36039 Fulda, Germany
 Postal address: 36035 Fulda, Germany
 Phone: +49 661 6003-0
 Fax: +49 661 6003-607
 e-mail: mail@jumo.net
 Internet: www.jumo.net

JUMO Instrument Co. Ltd.
 JUMO House
 Temple Bank, Riverway
 Harlow, Essex CM 20 2TT, UK
 Phone: +44 1279 635533
 Fax: +44 1279 635262
 e-mail: sales@jumo.co.uk
 Internet: www.jumo.co.uk

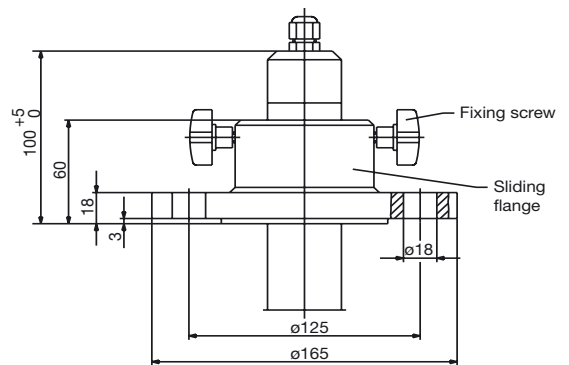
JUMO Process Control, Inc.
 8 Technology Boulevard
 Canastota, NY 13032, USA
 Phone: 315-697-JUMO
 1-800-554-JUMO
 Fax: 315-697-5867
 e-mail: info@jumo.us
 Internet: www.jumo.us



Dimensions (separate sensor as immersion model)



Optional accessory:
 flange DN32, Sales No. 20/00083375



Optional accessory:
 flange DN50, Sales No. 20/00083376

Split version
 for process connection 706
 immersion model
 (pipe clips included in delivery)

JUMO GmbH & Co. KG
 Delivery address: Mackenrodtstraße 14,
 36039 Fulda, Germany
 Postal address: 36035 Fulda, Germany
 Phone: +49 661 6003-0
 Fax: +49 661 6003-607
 e-mail: mail@jumo.net
 Internet: www.jumo.net

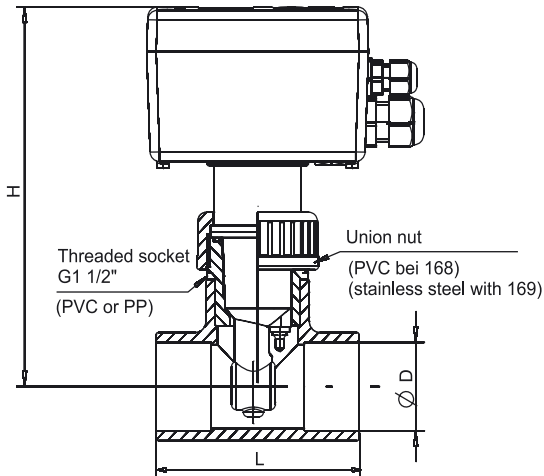
JUMO Instrument Co. Ltd.
 JUMO House
 Temple Bank, Riverway
 Harlow, Essex CM 20 2TT, UK
 Phone: +44 1279 635533
 Fax: +44 1279 635262
 e-mail: sales@jumo.co.uk
 Internet: www.jumo.co.uk

JUMO Process Control, Inc.
 8 Technology Boulevard
 Canastota, NY 13032, USA
 Phone: 315-697-JUMO
 1-800-554-JUMO
 Fax: 315-697-5867
 e-mail: info@jumo.us
 Internet: www.jumo.us



Mounting examples

Version with process connection 168 and 169

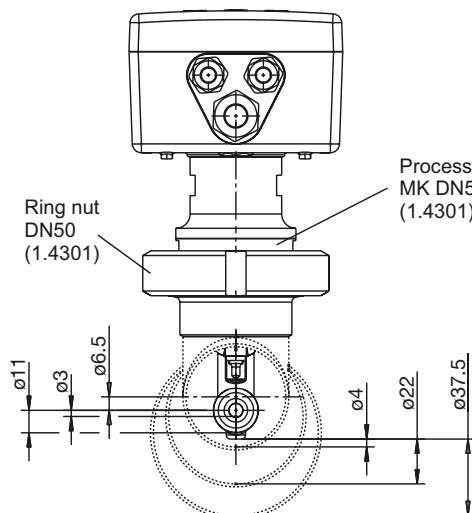


Optional accessory
 Tee 90° (PVC or PP)

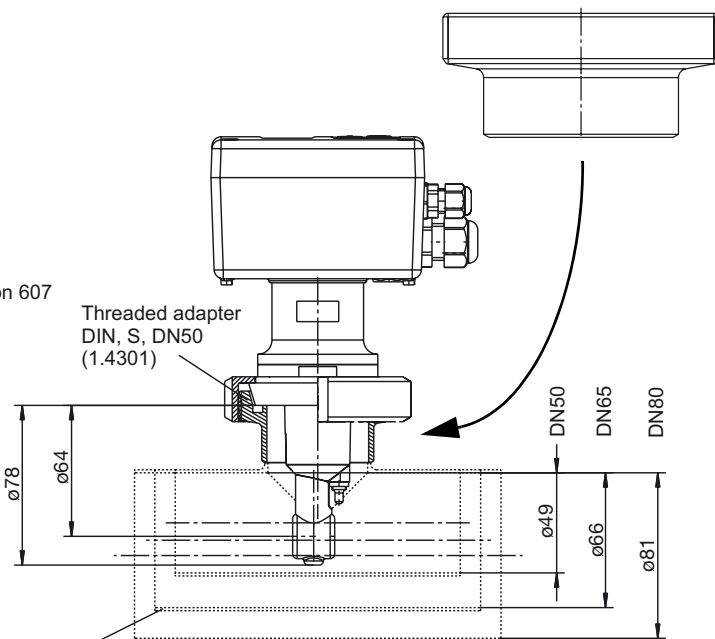
DN	ø D	L	H	Material	Maximum temperature	Sales No.
32	40	98	172	PVC	+60°C	20/00439247
40	50	118	177	PVC	+60°C	20/00439249
32	40	88	179	PP	+100°C	20/00449511
40	50	102	181	PP	+100°C	20/00449514
50	63	124	181	PP	+100°C	20/00449516

Weld-on threaded pipe adapter
 DN50, DIN 11 851
 (mating component for proc. connection 607),
 Sales No. 20/00085020

Version with process connection 607
 screwed pipe fitting DN50
 DIN 11 851 (milk cone)



Process connection 607
 MK DN50
 (1.4301)



Reducing tee (to be provided by plant operator; not supplied by JUMO)
 DIN, short, SSS, DN50/50, DN65/50, DN80/50
 (1.4301)

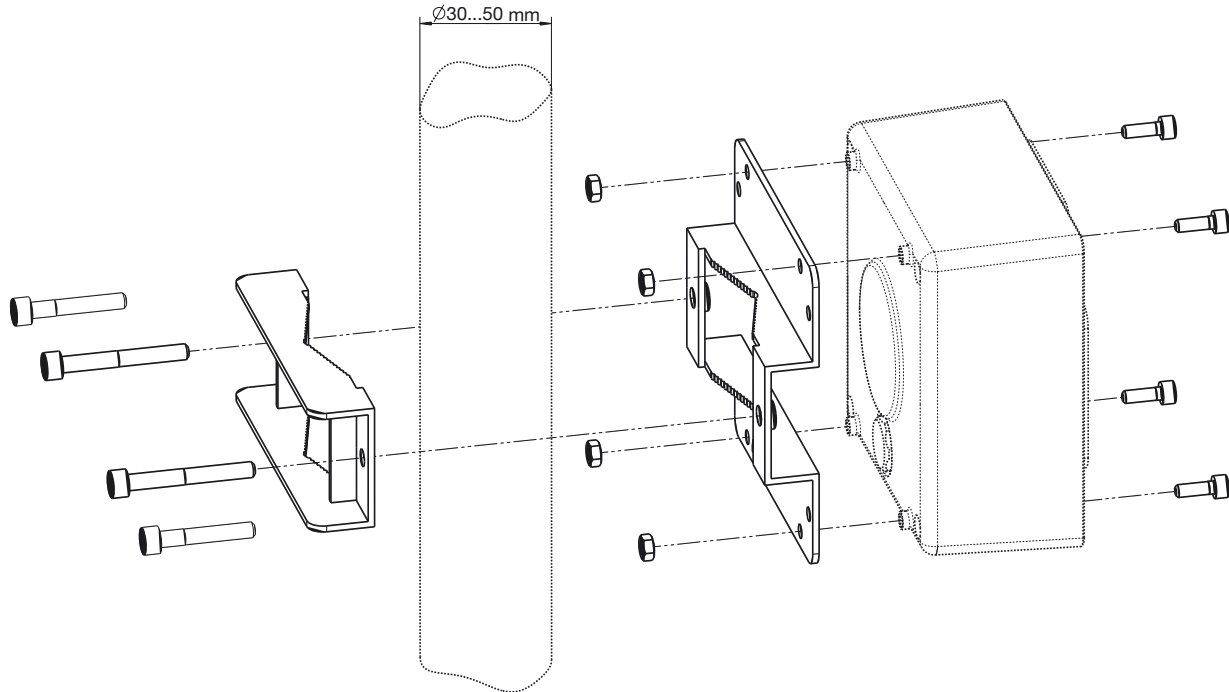
JUMO GmbH & Co. KG
Delivery address: Mackenrodtstraße 14,
36039 Fulda, Germany
Postal address: 36035 Fulda, Germany
Phone: +49 661 6003-0
Fax: +49 661 6003-607
e-mail: mail@jumo.net
Internet: www.jumo.net

JUMO Instrument Co. Ltd.
JUMO House
Temple Bank, Riverway
Harlow, Essex CM 20 2TT, UK
Phone: +44 1279 635533
Fax: +44 1279 635262
e-mail: sales@jumo.co.uk
Internet: www.jumo.co.uk

JUMO Process Control, Inc.
8 Technology Boulevard
Canastota, NY 13032, USA
Phone: 315-697-JUMO
1-800-554-JUMO
Fax: 315-697-5867
e-mail: info@jumo.us
Internet: www.jumo.us



Kit for pipe mounting



JUMO GmbH & Co. KG
 Delivery address: Mackenrodtstraße 14,
 36039 Fulda, Germany
 Postal address: 36035 Fulda, Germany
 Phone: +49 661 6003-0
 Fax: +49 661 6003-607
 e-mail: mail@jumo.net
 Internet: www.jumo.net

JUMO Instrument Co. Ltd.
 JUMO House
 Temple Bank, Riverway
 Harlow, Essex CM 20 2TT, UK
 Phone: +44 1279 635533
 Fax: +44 1279 635262
 e-mail: sales@jumo.co.uk
 Internet: www.jumo.co.uk

JUMO Process Control, Inc.
 8 Technology Boulevard
 Canastota, NY 13032, USA
 Phone: 315-697-JUMO
 1-800-554-JUMO
 Fax: 315-697-5867
 e-mail: info@jumo.us
 Internet: www.jumo.us



Order details: CTI-500 as "Head transmitter"

202755 (1) **Basic type**
 JUMO CTI-500
 Inductive transmitter/ switching device for conductivity/
 concentration and temperature

(2) **Basic type extensions**

10 head transmitter without display/keypad ¹
 15 head transmitter with display/keypad

(3) **Process connection**

o o 168 PVC union nut G1¹/₂A ^{2, 6}
 o o 169 stainless steel union nut G1¹/₂A ²
 o o 607 screwed pipe fitting DN50, DIN 11 851(MK DN50, milk cone)
 o o 617 clamp connection 2¹/₂"
 o o 690 SMS 2"

(4) **Immersion length**

o o 000 see dimensions

(5) **Electrical connection**

o o 82 cable glands
 o o 83 M12 plug/socket connectors (instead of the cable glands) ³
 o o 84 two M16 cable glands and one blind grommet

(6) **Extra codes⁴**

x x 000 no extra code
 o o 268 internal temperature sensor
 o o 580 1 set M12 plug/socket connectors
 o o 844 supply voltage 24 V AC
 o o 768 cell material PVDF⁵
 o o 844 supply 24 AC V ±10%

x = standard

o = available as an option

	(1)	(2)	(3)	(4)	(5)	(6)	(6)
Order code	<input type="text"/>	/ <input type="text"/>	- <input type="text"/>	- <input type="text"/>	- <input type="text"/>	/ <input type="text"/>	, ...
Order example	202755	/ 10	- 108	- 000	- 82	/ 000	

¹ The PC setup program is required for programming the instrument, see accessories

² Special tee is not included in delivery, see accessories

³ If required, order extra code /580

⁴ List extra codes in sequence, separated by commas

⁵ Only with process connections 168 and 169, in combination with extra code 268

⁶ Maximum temperature of medium: 60°C

⁷ Mounting items (mounting brackets) do not come with delivery. If required, please include in your order (accessories)



Order details: CTI-500 as "Transmitter with separate sensor"

					(1) Basic type	202755	JUMO CTI-500 Inductive transmitter/switching device for conductivity/ concentration and temperature			
					(2) Basic type extensions					
						20	transmitter without display/keypad (without sensor) ¹			
						25	transmitter with display/keypad (without sensor) ⁷			
						60	transmitter without display/keypad including sensor (cable length: 10 m) ¹			
						65	transmitter with display/keypad including sensor (cable length: 10 m)			
						80	replacement sensor with a 10 m long cable without transmitter, including adjustment set ^{3, 7}			
					(3) Process connection					
				x	x	000	not available			
						168	PVC union nut G1 ¹ / ₂ A (media temperature: 60°C max.) ^{2, 8}			
						169	stainless steel union nut G1 ¹ / ₂ A ²			
						607	screwed pipe fitting DN50, DIN 11 851(MK DN50, milk cone)			
						617	clamp connection 2 ¹ / ₂ " ³			
						690	SMS 2" ³			
						706	immersion model			
					(4) Immersion length					
				x	x	000	not available			
						500	500 mm			
						1000	1000 mm			
						1500	1500 mm			
						2000	2000 mm (max. length)			
						xxxx	special length (in 250 mm steps; e.g. 0250; 0750; 1250; 1750)			
					(5) Electrical connection					
						21	attached cable with M12 socket connector on separate sensor			
						82	cable glands on the operating unit			
						83	M12 plug/socket connectors on operating unit ⁴			
						84	two cable glands and one blind grommet			
					(6) Extra codes⁵					
				x	x	x	x	x	000	no extra code
									268	internal temperature sensor
									580	1 set M12 plug/socket connectors
									768	cell material PVDF ⁶
									844	supply voltage 24 V AC

x = standard
 0 = available as an option

	(1)	(2)	(3)	(4)	(5)	(6)	(6)						
Order code	<input type="text" value="202755"/>	/	<input type="text"/>	-	<input type="text"/>	-	<input type="text"/>	-	<input type="text"/>	/	<input type="text"/>	,	...
Order example	202755	/	65	-	108	-	1000	-	21	/	000		

¹ The PC setup program is required for programming the instrument, see accessories
² Special tee is not included in delivery
³ Mounting items (union/ring nuts, mounting brackets) do not come with delivery. If required, please include in your order (accessories)
⁴ If required, order extra code /580
⁵ List extra codes in sequence, separated by commas
⁶ Only with process connections 168 and 169, in combination with extra code 268
⁷ A calibration kit is absolutely essential for commissioning. If required, please include in your order (accessories)
⁸ Maximum temperature of medium: 60°C

JUMO GmbH & Co. KG
 Delivery address: Mackenrodtstraße 14,
 36039 Fulda, Germany
 Postal address: 36035 Fulda, Germany
 Phone: +49 661 6003-0
 Fax: +49 661 6003-607
 e-mail: mail@jumo.net
 Internet: www.jumo.net

JUMO Instrument Co. Ltd.
 JUMO House
 Temple Bank, Riverway
 Harlow, Essex CM 20 2TT, UK
 Phone: +44 1279 635533
 Fax: +44 1279 635262
 e-mail: sales@jumo.co.uk
 Internet: www.jumo.co.uk

JUMO Process Control, Inc.
 8 Technology Boulevard
 Canastota, NY 13032, USA
 Phone: 315-697-JUMO
 1-800-554-JUMO
 Fax: 315-697-5867
 e-mail: info@jumo.us
 Internet: www.jumo.us



Stock items (shipment: 3 days after receipt of order)

Type	Sales No.
202755/15-168-0000-82/000	20/00445843
202755/15-607-0000-82/000	20/00445845

Production items (shipment: 10 days after receipt of order)

Type	Sales No.
202755/65-607-0000-82/000	20/00445840

Accessories

Type	Sales No.
Weld-on threaded adapter DN50, DIN 11 851	20/00085020
(mating component for process connection -607)	
Special tee ¹ DN32, PVC, including threaded socket (60°C max.)	20/00439247
(mating component for process connection -168)	
Special tee ¹ DN40, PVC, including threaded socket (60°C max.)	20/00439249
(mating component for process connection -168)	
Special tee ¹ DN32, PP, including threaded socket (100°C max.)	20/00449511
(mating component for process connection -169)	
Special tee ¹ DN40, PP, including threaded socket (100°C max.)	20/00449514
(mating component for process connection -169)	
Special tee ¹ DN50, PP, including threaded socket (100°C max.)	20/00449516
(mating component for process connection -169)	
Union nut G1 1/2, PVC	20/00439199
Union nut G1 1/2, stainless steel	20/00452039
Ring nut DN50, DIN 11 851	20/00343368
Ring nut SMS DN2"	20/00345162
Flange DN32 ² , material: PP	20/00083375
Flange DN50 ² , material: PP	20/00083376
Kit for pipe mounting	20/00459189
M12 socket connector, 5-pole, straight, for assembly by user	20/00444313
	necessary for versions 202755/xx-xxx-xxxx-83/xxx ³
M12 plug connector, 8-pole, straight, for assembly by user	20/00444307
	necessary for versions 202755/xx-xxx-xxxx-83/xxx ³
M12 socket connector, 8-pole, straight, for assembly by user	20/00444312
	replacement part for sensor 202755/80...
PC setup software for JUMO CTI-500	20/00447634
PC interface cable with TTL / RS232 converter and adapter (serial connection cable)	70/00350260
PC interface cable with USB / TTL converter and two adapters (USB connection cable)	70/00456352
Switched-mode power supply, Type PS5R-A24	20/00374661
	SMPS for DIN rail mounting
	input voltage 100 – 240 VAC / 50 – 60 Hz
	output voltage 0.3 A 24 VDC
Cover with LC display and keypad	20/00443725
	facilitates the programming of transmitters without display and without keypad

¹ with anti-rotation lug - the cell can only be installed in the correct orientation

² only in conjunction with a separate sensor in the immersion version 202755/60-706-... or 202755/65-706-... or 202755/80-706-...

³ not required if extra code 580 is ordered