

**Characteristics:**

**General Description:**

The single channel Relay Output, D5290S is a relay module suitable for the switching of safety related circuits, up to SIL 3 level according to IEC 61508 for high risk industries. It provides isolation between input channel and output contacts.

Three mutually exclusive (by DIP-Switch programming) monitoring circuits are provided:

- 1) line input monitoring, to allow DCS/PLC line monitoring function: when enabled, the module permits a wide compatibility towards different DCS/PLC. Driving line pulse testing, executed by DCS/PLC, is permitted by a dedicated internal circuit, to prevent relay and LED flickering.
- 2) low voltage input monitoring: when enabled, the module reflects a high impedance state to the control unit when the driving voltage is below the specified threshold.
- 3) short circuit fault detection: when enabled, it allows DCS/PLC to detect short circuit fault of module.

D5290S provides two NO contacts for normally energized load and a NC contact for service purpose, in order to switch the NE load on both supply lines.

See the following pages for Functional Safety applications with related SIL value.

Mounting on standard DIN-Rail or on customized Termination Boards, in Safe Area or in Zone 2.

**Front Panel and Features:**



- SIL 3 according to IEC 61508 for Tproof = 10 / 20 yrs (10 / 20 % of total SIF).
- SIL 2 according to IEC 61508 for Tproof = 20 yrs (10 % of total SIF).
- PFDavg (1 year) 7.01 E-06, SFF 99.60 % for NE Load.
- Installation in Zone 2.
- 10 A SIL 3 contact for NE load and contact for service purpose.
- Line input monitoring in-field DIP Switch selectable.
- Driving input voltage monitoring.
- Input/Output isolation.
- EMC Compatibility to EN61000-6-2, EN61000-6-4, EN61326-1, EN61326-3-1 for safety system.
- ATEX, IECEx, Russian and Ukrainian Certifications.
- Simplified installation using standard DIN-Rail and plug-in terminal blocks or customized Termination Boards.

**Ordering Information:**

Model: D5290S

**Technical Data:**

**Input:** 24 Vdc nom (21.6 to 27.6 Vdc) reverse polarity protected, ripple within voltage limits  $\leq 5$  Vpp.

**The following monitoring circuits are mutually exclusive:**

- 1) **Line input monitoring (DIP-Switch selectable):** to allow DCS/PLC line monitoring function (pulse test).
- 2) **Voltage monitoring (DIP-Switch selectable):**  $\geq 21.6$  Vdc for normal operation,  $\leq 17$  Vdc reflects a high impedance ( $\leq 10$  mA consumption) to the control device.
- 3) **Short circuit fault detection (DIP-Switch selectable):** to allow DCS/PLC to detect short circuit fault of module.

**Current consumption @ 24 V:** 60 mA with relay energized, typical.

**Power dissipation:** 1.5 W with 24 V input voltage, relay energized, typical.

**Isolation (Test Voltage):** Input / All Outputs: 2.5 KV ; Out 1 / Out 2: 500V.

**Output:** 1 voltage free SPDT relay contact identified with outputs: Out 1 (NO contact) terminals 13-21 and Service Load Out (NC contact) terminals 13-15; 1 voltage free SPST relay contact identified with output Out 2 (NO contact) terminals 14-22.

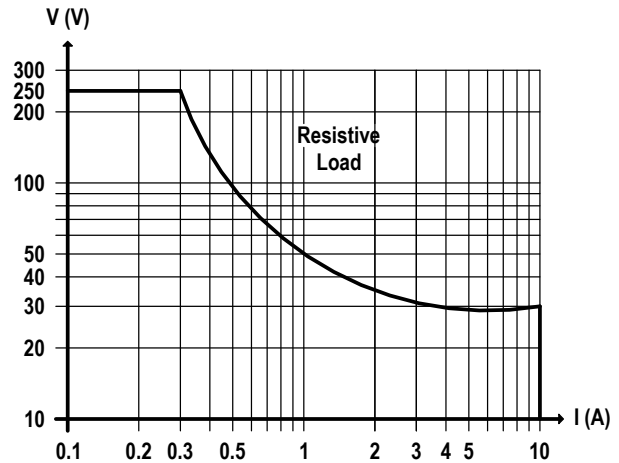
Terminals 13-21 (Out 1) and 14-22 (Out 2) are open when relay is de-energized, closed in energized relay condition.

Service load output (not SIL) at terminals 13-15 is normally close when relay is de-energized, open in energized relay condition.

**Contact material:** Ag Alloy (Cd free) or AgSnO<sub>2</sub>.

**Contact rating:** 10 A 250 Vac 2500 VA, 10 A 250 Vdc 300 W (resistive load).

**DC Load breaking capacity:**



**Mechanical / Electrical life:**  $10^6$  /  $5 \times 10^4$  operation, typical.

**Bounce time NO / NC contact:** 4 / 6 ms, typical.

**Frequency response:** 10 Hz maximum.

**Compatibility:**

**CE** CE mark compliant, conforms to 94/9/EC Atex Directive and to 2004/108/CE EMC Directive.

**Environmental conditions:**

**Operating:** temperature limits - 40 to + 60 °C, relative humidity 95 %, up to 55 °C.

**Storage:** temperature limits - 45 to + 80 °C.

**Safety Description:**



**ATEX:** II 3G Ex nA nC IIC T4 Gc

**IECEx:** Ex nA nC IIC T4 Gc

non-sparking electrical equipment.

-40 °C  $\leq$  Ta  $\leq$  60 °C.

**Approvals:**

BVS 10 ATEX E 114 conforms to EN60079-15,

IECEx BVS 10.0072 X conforms to IEC60079-15.

Russia according to GOST 12.2.007.0-75, R 51330.0-99, R 51330.10-99,

R 51330.14-99 2ExnAnCIIC T4 X.

Ukraine according to GOST 12.2.007.0, 22782.0, 22782.3, 22782.5 2ExsIIT4 X.

TUV Certificate No. C-IS-204194-01, SIL 2 / SIL 3 conforms to IEC61508.

**Mounting:**

T35 DIN-Rail according to EN50022 or on customized Termination Board.

**Weight:** about 145 g.

**Connection:** by polarized plug-in disconnect screw terminal blocks to accommodate terminations up to 2.5 mm<sup>2</sup>.

**Location:** Safe Area/Non Hazardous Locations or Zone 2, Group IIC T4 installation.

**Protection class:** IP 20.

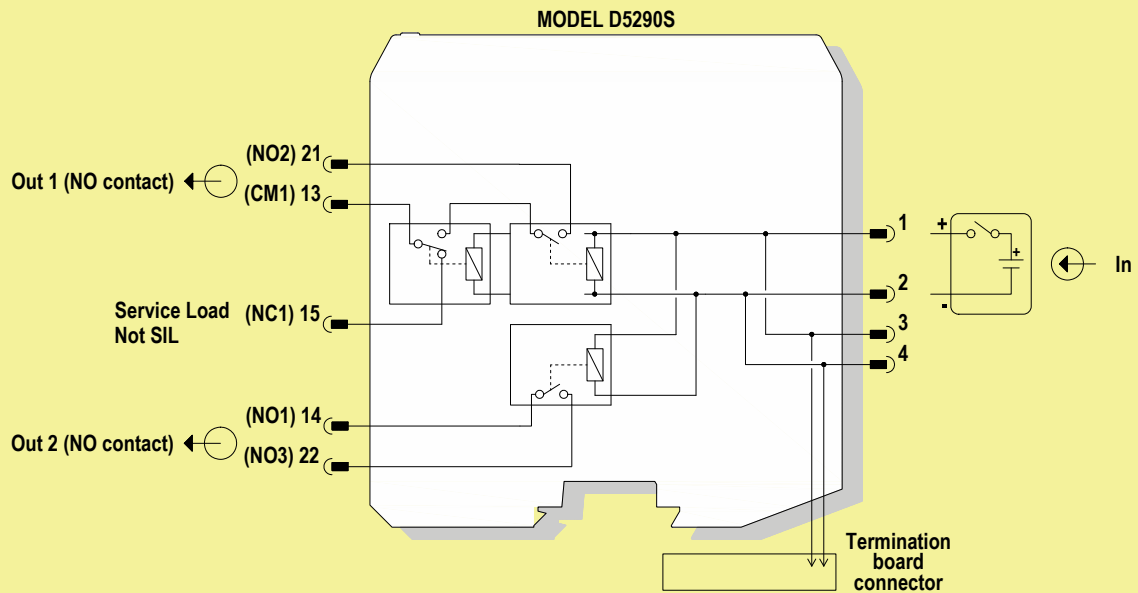
**Dimensions:** Width 22.5 mm, Depth 123 mm, Height 120 mm.

**Image:**



**Function Diagram:**

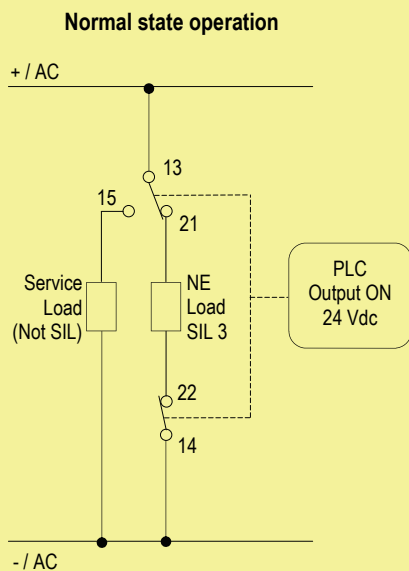
SAFE AREA, ZONE 2 GROUP IIC T4



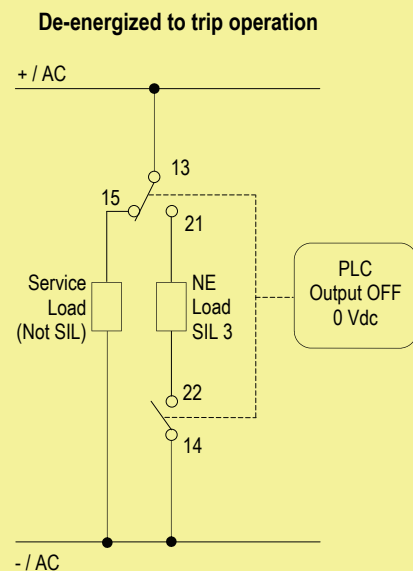
See the following pages for Functional Safety applications with related SIL value.

Relay contact shown in de-energized position.  
Terminals 13-21 and 14-22 are open; terminal 13-15 is closed.

Application D5290S - SIL 3 Load Normally Energized Condition (NE) and Normally Energized Relay, with interruption of both load supply lines

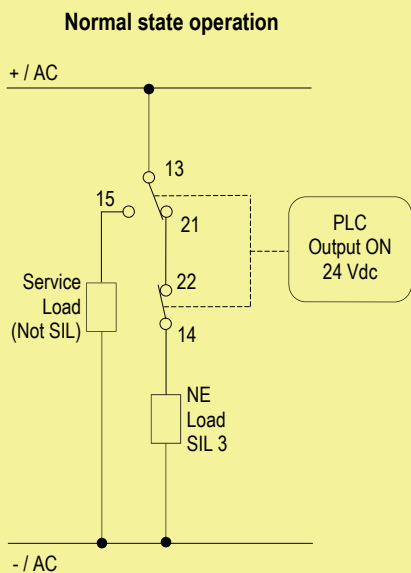


**Contacts 13-21 and 14-22:** in normal operation relays are energized, contacts are closed, NE load is energized.  
**Contact 13-15:** in normal operation relay is energized, contact is open, service load for NE load is de-energized.

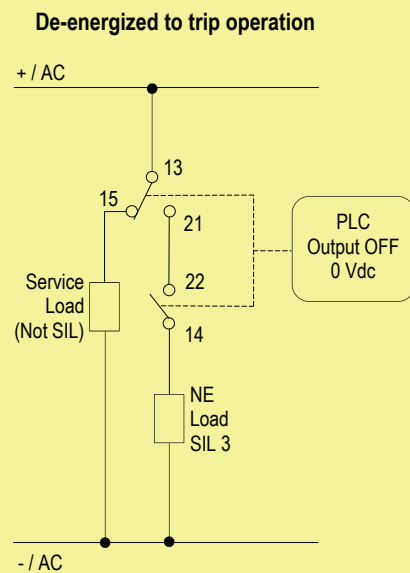


**Contacts 13-21 and 14-22:** the SIL 3 Safety Function is met when the relays are de-energized, contacts are open, NE load is de-energized.  
**Contact 13-15:** in safe state the relay is de-energized, contact is closed, service load for NE load is energized.

Application D5290S - SIL 3 Load Normally Energized Condition (NE) and Normally Energized Relay, with interruption of only one load supply line



**Contacts 13-21 and 14-22:** in normal operation relays are energized, contacts are closed, NE load is energized.  
**Contact 13-15:** in normal operation relay is energized, contact is open, service load for NE load is de-energized.



**Contacts 13-21 and 14-22:** the SIL 3 Safety Function is met when the relays are de-energized, contacts are open, NE load is de-energized.  
**Contact 13-15:** in safe state the relay is de-energized, contact is closed, service load for NE load is energized.