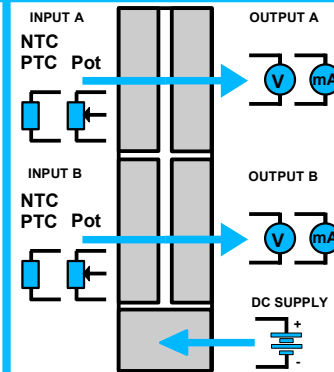


FEATURES

- Configurable input for PTC, NTC and Pot.
- Configurable output in current or voltage
- Double channel in the same enclosure
- Configurable by dip-switch or PC
- High accuracy
- On-field reconfigurable
- Galvanic isolation among the ways
- EMC compliant – CE mark
- Suitable for DIN rail mounting in compliance with EN-50022 and EN-50035



GENERAL DESCRIPTION

The isolated double channel converter DAT 4532 C is able to measure and linearise the standard PTC and NTC sensors and potentiometers. In function of programming, the measured values are converted in a current or voltage signal. The device guarantees high accuracy and performances stability both versus time and temperature.

The double channel allows the high density mounting where is necessary to reduce the encumbrances.

The programming is made by the dip-switch located in the window on the side of the enclosure. By means of dip-switches it is possible to select the input type and range and the output type without recalibrate the device.

Moreover, by Personal Computer the user can program all of the device's parameters for his own necessity; the configuration by PC allows to program the two channels with two independent settings.

Moreover it is available the option of alarm for signal interruption (burn-out) that allows to set the output value as high or low out of scale .

The 1500 Vac galvanic isolation on all ways (inputs, outputs and power supply) eliminates the effects of all ground loops eventually existing and allows the use of the converter in heavy environmental conditions found in industrial applications.

The DAT 4532 C is in compliance with the Directive 2004/108/EC on the Electromagnetic Compatibility.

It is housed in a plastic enclosure of 12.5 mm thickness suitable for DIN rail mounting in compliance with EN-50022 and EN-50035 standards.

USER INSTRUCTIONS

The converter must be powered by a direct voltage applied to the terminals Q and R.

The channel A measures the value from the sensor connected to the terminals I, L and G and transmits the output measure on the terminals N and M.

The channel B measures the value from the sensor connected to the terminals E, F and H and transmits the output measure on the terminals P and O.

The input and output connections must be made as shown in the section "Connections".

It is possible to configure the converter on field by dip-switch or Personal Computer as shown in the section " Programming ". The configuration by dip-switches can be made also if the device is powered (note: after the configuration the device takes some seconds to provide the right output measure).

TECHNICAL SPECIFICATIONS (Typical at 25 °C and in nominal conditions)

INPUT (2 channels)				OUTPUT(2 channels)				POWER SUPPLY	
Input type	Min	Max	Min.Span	Output type	Min	Max	Min Span		
PTC KTY81-210 KTY81-220 KTY84-130 KTY84-150	-55°C -55°C -40°C -40°C	150°C 150°C 300°C 300°C	50°C 50°C 50°C 50°C	Current Voltage	0 mA 0 V	20 mA 10 V	4 mA 1 V	Power supply voltage Reverse polarity protection	18 .. 30 Vdc 60 Vdc max
NTC Coster 10K Coster 1K	-10°C -30°C	100°C 40°C	50°C 25°C	Output calibration Current Voltage		± 7 uA ± 5 mV		Current consumption Current output Voltage output	55 mA max. 25 mA max.
Pot. (Rnom.< 50KΩ)	0 %	100 %	10 %	Burn-out values Max. output value Min. output value		22 mA or 10.6 V 0 mA or -0.6 V		ISOLATION Among all ways	1500 Vac, 50 Hz, 1 min
Input Calibration (1) PTC, NTC Potentiometer	the higher of ±0.1% and ±0.2°C ± 0.05 % f.s.			Output load Resistance - Rload Current output Voltage output Short circuit current		< 500 Ω > 10 KΩ 26 mA max.		TEMPERATURE AND HUMIDITY Operative temperature Storage temperature Humidity (not condensed)	-20°C .. +60°C -40°C.. +85°C 0 .. 90 %
Linearity (1) PTC, NTC	± 0.1 % f.s.			Response time (10÷ 90%)	about 500 ms			HOUSING Material Mounting	Self-extinguishing plastic DIN rail in compliance with EN-50022 and EN-50035
Sensor excitation current PTC, NTC	500 uA							Weight	about 90 g.
Thermal drift (1) Full scale	± 0.01% / °C							EMC (for industrial environments) Immunity Emission	EN 61000-6-2 EN 61000-6-4

(1)referred to the input Span (difference between max. and min.)

PROGRAMMING

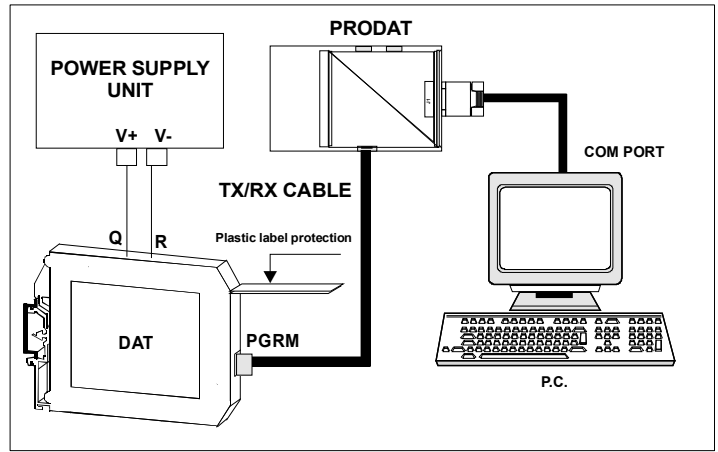
CONFIGURATION BY PC

By software DATESOFT it is possible to:

- set the default programming of the device;
- program the options not available with the dip-switch;
(burn-out level, etc...);
- read, in real time, the input and output measures;
- follow the dip-switches configuration wizard.

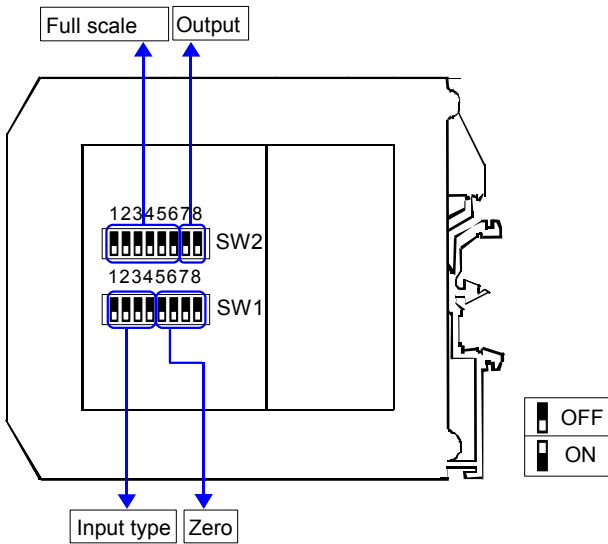
To configure the device follow the next steps:

- 1) Power-on the device.
- 2) Open the protection plastic label on the front of the device.
- 3) Connect the interface PRODAT to the PC (COM port) and to the device (PGRM connector).
- 4) Open DATESOFT.
- 5) Select the COM port in use.
- 6) Click on "Open COM".
- 7) Click on "Program".
- 8) Set the programming data.
- 9) Click on "Write" to send the programming data to the device.

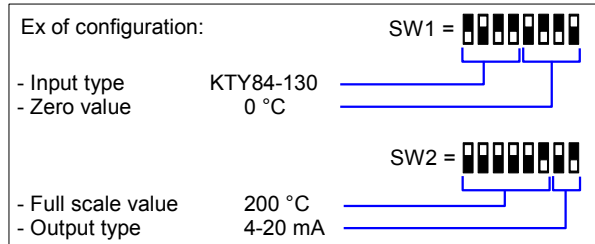


Warning: during these operations the device must always be powered and the TX/RX cable always connected.
For information about DATESOFT refer to the software's user guide.

CONFIGURATION BY DIP-SWITCHES



- 1) Open the suitable door on the side of the device.
- 2) Set the input type by the dip-switch SW1 [1..4] (see TAB.1)
- 3) Set the minimum input scale value (Zero) by the dip-switch SW1 [5..8] (see TAB.3)
- 4) Set the maximum input value (Full scale) by the dip-switch SW2 [1..6] (see TAB.3)
- 5) Set the output type by the dip-switch SW2 [7..8] (see TAB.2)



NOTE:

- It is also possible to set the dip-switches using the wizard of the configuration software following the procedure described in the section "Configuration by PC" until the step 6 and clicking on "Switch".

DIP-SWITCH CONFIGURATION TABLES

TAB.1
Input type settings

SW1	1	2	3	4	Setting
<input type="checkbox"/>	<input type="checkbox"/>	<input type="checkbox"/>	<input type="checkbox"/>	<input type="checkbox"/>	EPROM *
<input type="checkbox"/>	<input type="checkbox"/>	<input type="checkbox"/>	<input type="checkbox"/>	<input type="checkbox"/>	Pot
<input type="checkbox"/>	<input type="checkbox"/>	<input type="checkbox"/>	<input type="checkbox"/>	<input type="checkbox"/>	KTY81-210 KTY81-220
<input type="checkbox"/>	<input type="checkbox"/>	<input type="checkbox"/>	<input type="checkbox"/>	<input type="checkbox"/>	KTY84-130 KTY84-150
<input type="checkbox"/>	<input type="checkbox"/>	<input type="checkbox"/>	<input type="checkbox"/>	<input type="checkbox"/>	Coster 10K
<input type="checkbox"/>	<input type="checkbox"/>	<input type="checkbox"/>	<input type="checkbox"/>	<input type="checkbox"/>	Coster 1K

TAB.2
Output type settings

SW2	7	8	Setting
<input type="checkbox"/>	<input type="checkbox"/>	<input type="checkbox"/>	0-20 mA
<input type="checkbox"/>	<input type="checkbox"/>	<input type="checkbox"/>	4-20 mA
<input type="checkbox"/>	<input type="checkbox"/>	<input type="checkbox"/>	0-10 V
<input type="checkbox"/>	<input type="checkbox"/>	<input type="checkbox"/>	0-5 V

NOTES:

* To configure the range for the input type selected (TAB.1) refer to the section of the TAB.3 on next page relative to it (ex: for Potentiometer use the table TAB.3b).

* If the dip-switches SW1 [1..4] are all set in the position 0 ("EPROM"), the device will follow the configuration programmed by PC (input type and range, output type and range and options).

* If the dip-switches SW1 [5..8] are all set in the position 0 ("Default"), the device will follow the input scale programmed by PC for the input type selected by the dip-switches SW1 [1..4]

* Eventual wrong dip-switches settings will be signalled by the blinking of the led "PWR".

TAB.3a – Settings for PTC, NTC

Zero		Full scale												
SW1 5 6 7 8		°C	SW2 1 2 3 4 5 6		°C	SW2 1 2 3 4 5 6		°C	SW2 1 2 3 4 5 6		°C	SW2 1 2 3 4 5 6		°C
	Default			Default		75		210		370				
	-200			0		80		220		380				
	-150			5		85		230		390				
	-100			10		90		240		400				
	-50			15		95		250		425				
	-40			20		100		260		450				
	-30			25		110		270		475				
	-20			30		120		280		500				
	-10			35		130		290		525				
	0			40		140		300		550				
	5			45		150		310		600				
	10			50		160		320		650				
	20			55		170		330		700				
	30			60		180		340		750				
	50			65		190		350		800				
	100			70		200		360		850				

TAB.3b –Settings for Potentiometer

Zero		Full scale												
SW1 5 6 7 8		%	SW2 1 2 3 4 5 6		%	SW2 1 2 3 4 5 6		%	SW2 1 2 3 4 5 6		%	SW2 1 2 3 4 5 6		%
	Default			Default		34		66		98				
	0			5		36		68		100				
	15			6		38		70		100				
	20			8		40		72		100				
	25			10		42		74		100				
	30			12		44		76		100				
	35			14		46		78		100				
	40			16		48		80		100				
	45			18		50		82		100				
	50			20		52		84		100				
	55			22		54		86		100				
	60			24		56		88		100				
	65			26		58		90		100				
	70			28		60		92		100				
	75			30		62		94		100				
	80			32		64		96		100				

INSTALLATION INSTRUCTIONS

The device is suitable for fitting to DIN rails in the vertical position. For optimum operation and long life follow these instructions:

When the devices are installed side by side it may be necessary to separate them by at least 5 mm in the following cases:

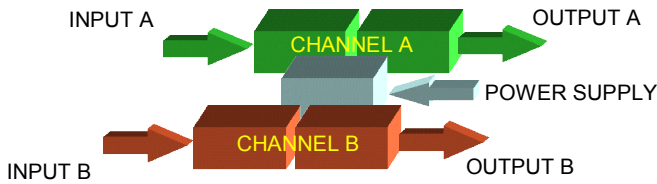
- If panel temperature exceeds 45°C.
- Use of high power supply value (> 27 Vdc).
- Use of output current.

Make sure that sufficient air flow is provided for the device avoiding to place raceways or other objects which could obstruct the ventilation slits. Moreover it is suggested to avoid that devices are mounted above appliances generating heat; their ideal place should be in the lower part of the panel.

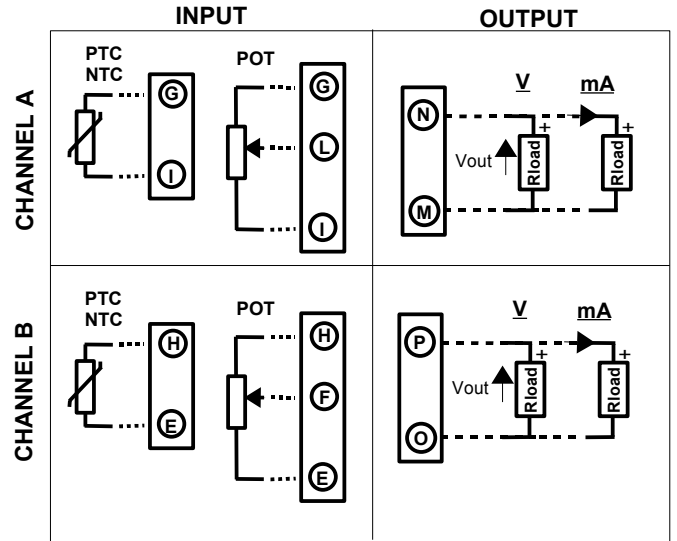
Install the device in a place without vibrations.

Moreover it is suggested to avoid routing conductors near power signal cables (motors, induction ovens, inverters etc...) and to use shielded cable for connecting signals.

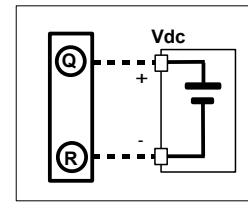
ISOLATION STRUCTURE



CONNECTIONS



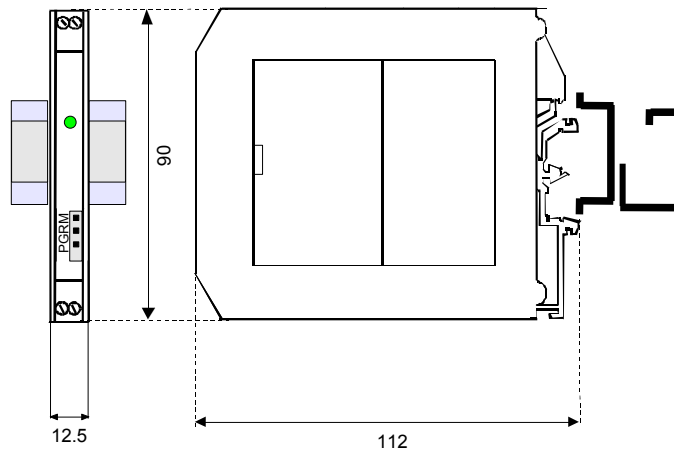
POWER SUPPLY



LIGHT SIGNALLING

LED	COLOUR	STATE	DESCRIPTION
PWR	GREEN	ON	Device powered
		OFF	Device not powered
		BLINKING	Wrong dip-switches setting

DIMENSIONS (mm)



HOW TO ORDER

The device is provided as requested on the Customer's order. Refer to the section "Programming" to determine the input and output ranges. In case of the configuration is not specified, the parameters must be set by the user.

ORDER CODE EXAMPLE:

DAT 4532C / [KTY84-130] / [0 ÷ 200 °C] / [4 ÷ 20 mA]

