

贝得其他系列低压交流异步电动机

产 品 样 本



公司概况

Company Profile



西门子电机（中国）有限公司

西门子电机（中国）有限公司是西门子在中国的独资企业，位于江苏省仪征市，占地面积为200亩。公司主要致力于研发和生产中小型低压三相异步电动机，目前生产符合 IEC 标准的西门子品牌三相异步电动机、以及按中国标准设计的贝得品牌系列三相异步电动机。

作为西门子在全球中小型低压电机产品的重要生产基地之一，公司将坚持秉承西门子尖端技术，采用西门子特色的现代化管理模式，严格按照国际标准 ISO9001:2008 实施全面质量管理，竭诚为广大客户提供优质的产品和服务！

Siemens Standard Motors Ltd.

Siemens Standard Motors Ltd. (SSML) is a Siemens-owned company in China. With an area of 133,400 square meters, SSML is located in Yizheng City, Jiangsu Province. The company focuses on developing and producing small and medium low-voltage motors. Currently, SSML mainly produce Siemens brand low voltage AC motors according to IEC standards, and Beide brand low voltage motors designed according to China local standards.

As one of Siemens main low-voltage motor production facilities worldwide, SSML uses the knowledge and experience of more than 100 years in motor design and manufacturing, and implement comprehensive quality control according to ISO9001 2008. SSML will continuously serve customers with high quality products and good service.



| | |
|--|---|
| 公司概况 | 2 |
| Company Profile | |
| YD 系列变极多速三相异步电动机 | 4 |
| YD Series Change-Poles Multi-Speed Asynchronous Motors | |
| 证书 | 6 |
| Certificates | |

YD 系列变极多速三相异步电动机

YD Series Change-Poles Multi-Speed Asynchronous Motors



机座号: 80 ~ 280

额定电压: 380 V

额定频率: 50 Hz

冷却方式: IC411

防护等级: IP44

绝缘等级: B 级

环境温度: -15 ~ 40 °C

海拔高度: 不超过 1000 m

Frame size: 80 ~ 280

Rated voltage: 380 V

Rated frequency: 50 Hz

Cooling method: IC411

Protection degree: IP44

Insulation class: B

Coolant temperature: -15 ~ 40 °C

Site altitude: Up to 1000 m above sea level

概述

YD 系列变极多速三相异步电动机, 适用于需要逐级调速的各种传动机构。

Introduction

YD series pole-changing multi-speed three-phase asynchronous motors can apply to various transmission mechanism which need control speed step by step.

安装型式 Mounting type

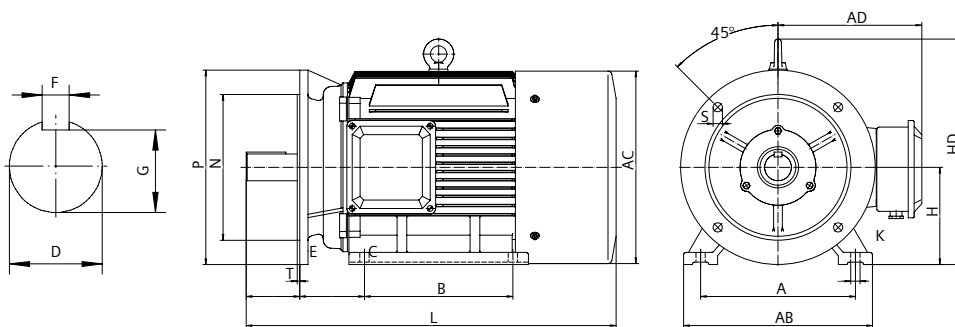
| | | | | | | | | | | | | |
|---------------------------------|----------|----------|----------|----------|----------|----|----|----|----|----|-----|-----|
| 示意图 Diagram | | | | | | | | | | | | |
| 安装型式 (IM) Mounting type (IM) | B3 | B5 | B35 | V1 | V3 | V5 | V6 | B6 | B7 | B8 | V15 | V36 |
| 机座号 Motor size | 80 ~ 280 | 80 ~ 225 | 80 ~ 280 | 80 ~ 280 | 80 ~ 160 | | | | | | | |

规格表 Specification table

| 型号 Type | 同步转速 Synchronous speed (r/min) | | | |
|---------------|--------------------------------|-----------|-----------|----------|
| | 1500/3000 | 1000/1500 | 750/1500 | 500/1000 |
| | 极数 poles | | | |
| | 4/2 | 6/4 | 8/4 | 12/6 |
| 功率 Power (kW) | | | | |
| YD801 | 0.45/0.55 | | | |
| YD802 | 0.55/0.75 | | | |
| YD90S | 0.85/1.1 | 0.65/0.85 | | |
| YD90L | 1.3/1.8 | 0.85/1.1 | 0.45/0.75 | |
| YD100L1 | 2/2.4 | 1.3/1.8 | 0.85/1.5 | |
| YD100L2 | 2.4/3 | 1.5/2.2 | | |
| YD112M | 3.3/4 | 2.2/2.8 | 1.5/2.4 | |
| YD132S | 4.5/5.5 | 3/4 | 2.2/3.3 | |
| YD132M1 | 6.5/8 | 4/5.5 | 3/4.5 | |
| YD132M2 | | | | |
| YD160M | 9/11 | 6.5/8 | 5/7.5 | 2.6/5 |
| YD160L | 11/14 | 9/11 | 7/11 | 3.7/7 |
| YD180M | 15/18.5 | 11/14 | | |
| YD180L | 18.5/22 | 13/16 | 11/17 | 5.5/10 |
| YD200L1 | 26/30 | 18.5/22 | 14/22 | 7.5/13 |
| YD200L2 | | | 17/26 | 9/15 |
| YD225S | 32/37 | 22/28 | | |
| YD225M | 37/45 | 26/32 | 24/34 | 12/20 |
| YD250M | 45/52 | 32/42 | 30/42 | 15/24 |
| YD280S | | 42/55 | 40/55 | 20/30 |
| YD280M | | 55/67 | 47/67 | 24/37 |

安装及外形尺寸 Dimensions of mounting and Outline

| 机座号 Motor size | 安装尺寸 (mm) Mounting Dimensions | | | | | | | | | | | | | | | 外形尺寸 (mm) Outline Dimensions | | | | |
|-------------------|-------------------------------|-----|-----|-----|----|-----|----|------|----|-----|-----|-----|---|----|-----|------------------------------|-----|-----|-----|------|
| | H | A | B | C | D | E | F | G | K | M | N | P | R | S | T | AB | AC | AD | HD | L |
| 80 | 80 | 125 | 100 | 50 | 19 | 40 | 6 | 15.5 | 10 | 165 | 130 | 200 | 0 | 12 | 3.5 | 165 | 175 | 150 | 175 | 290 |
| 90S | 90 | 140 | 100 | 56 | 24 | 50 | 8 | 20 | 10 | 165 | 130 | 200 | 0 | 12 | 3.5 | 180 | 195 | 160 | 195 | 315 |
| 90L | 90 | 140 | 125 | 56 | 24 | 50 | 8 | 20 | 10 | 165 | 130 | 200 | 0 | 12 | 3.5 | 180 | 195 | 160 | 195 | 340 |
| 100L | 100 | 160 | 140 | 63 | 28 | 60 | 8 | 24 | 12 | 215 | 180 | 250 | 0 | 15 | 4 | 205 | 215 | 180 | 245 | 380 |
| 112M | 112 | 190 | 140 | 70 | 28 | 60 | 8 | 24 | 12 | 215 | 180 | 250 | 0 | 15 | 4 | 245 | 240 | 190 | 265 | 400 |
| 132S | 132 | 216 | 140 | 89 | 38 | 80 | 10 | 33 | 12 | 265 | 230 | 300 | 0 | 15 | 4 | 280 | 275 | 210 | 315 | 475 |
| 132M | 132 | 216 | 178 | 89 | 38 | 80 | 10 | 33 | 12 | 265 | 230 | 300 | 0 | 15 | 4 | 280 | 275 | 210 | 315 | 515 |
| 160M | 160 | 254 | 210 | 108 | 42 | 110 | 12 | 37 | 15 | 300 | 250 | 350 | 0 | 19 | 5 | 330 | 335 | 265 | 385 | 610 |
| 160L | 160 | 254 | 254 | 108 | 42 | 110 | 12 | 37 | 15 | 300 | 250 | 350 | 0 | 19 | 5 | 330 | 335 | 265 | 385 | 655 |
| 180M | 180 | 279 | 241 | 121 | 48 | 110 | 14 | 42.5 | 15 | 300 | 250 | 350 | 0 | 19 | 5 | 355 | 380 | 285 | 430 | 670 |
| 180L | 180 | 279 | 279 | 121 | 48 | 110 | 14 | 42.5 | 15 | 300 | 250 | 350 | 0 | 19 | 5 | 355 | 380 | 285 | 430 | 710 |
| 200L | 200 | 318 | 305 | 133 | 55 | 110 | 16 | 49 | 19 | 350 | 300 | 400 | 0 | 19 | 5 | 395 | 420 | 315 | 475 | 775 |
| 225S | 225 | 356 | 286 | 149 | 60 | 140 | 18 | 53 | 19 | 400 | 350 | 450 | 0 | 19 | 5 | 435 | 475 | 345 | 530 | 820 |
| 225M | 225 | 356 | 311 | 149 | 60 | 140 | 18 | 53 | 19 | 400 | 350 | 450 | 0 | 19 | 5 | 435 | 475 | 345 | 530 | 845 |
| 250M | 250 | 406 | 349 | 168 | 65 | 140 | 18 | 58 | 24 | 500 | 450 | 550 | 0 | 19 | 5 | 490 | 515 | 385 | 575 | 930 |
| 280S | 280 | 457 | 368 | 190 | 75 | 140 | 20 | 67.5 | 24 | 500 | 450 | 550 | 0 | 19 | 5 | 550 | 585 | 410 | 640 | 1000 |
| 280M | 280 | 457 | 419 | 190 | 75 | 140 | 20 | 67.5 | 24 | 500 | 450 | 550 | 0 | 19 | 5 | 550 | 585 | 410 | 640 | 1050 |



注:

1. 图为 B35 型图样, 机座带底脚, 端盖上有凸缘。
2. B3 型机座带底脚, 端盖上无凸缘, 无尺寸 M、N、P、R、S、T。
3. B5 型机座无底脚, 端盖上有凸缘, 无尺寸 A、B、C、AB。
4. 机座号 225 ~ 355 电机凸缘安装孔 S 为 8 孔均布。
5. R 为凸缘配合面至轴伸肩的距离。

Note:

1. The drawing is B35 type. There have housing feet and flange on end shield.
2. B3 type motors have frame feet but no flange, the dimensions have no M、N、P、R、S、T.
3. B5 type motors have flange but no frame feet, the dimensions have no A、B、C、AB.
4. There are eight symmetrical distributed holes for flange mounting on the FS225 ~ 355 motors.
5. R is the distance from the flange to the drive shaft end.

证书 Certificates



西门子电机（中国）有限公司

地址:江苏省仪征市汽车工业园众鑫路99号

电话:+86 514 85718108

传真:+86 514 85718083

邮编:211400

邮箱:beide-motor.ssml@siemens.com

网址:www.beide-motor.cn

订货号: E20001-A-0214-C600-X-5D00
664-SH902076-07125

西门子电机（中国）有限公司版权所有
如有改动 恕不事先通知。